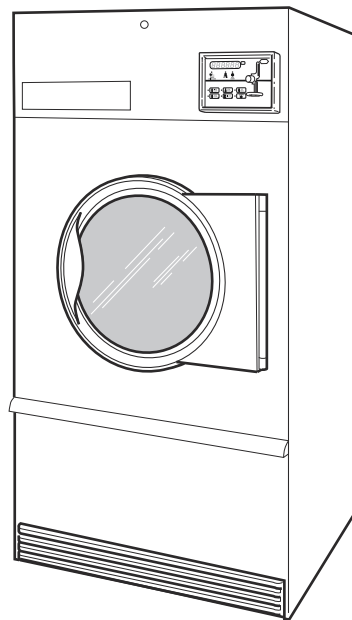


Tumble Dryers

75 Pound Capacity

Models with 0 or 3 in 13th Position of Model Number

Refer to Page 3 for Model Numbers



TMB1284C_70595001

Table of Contents

Title	Page
Parts Ordering Information.....	2
Serial Plate Location	2
Model Identification	3
Product Overview - Heat Source and Voltage	4
Product Overview - FN Control Suffix	6
Product Overview - DN and NN Control Suffixes.....	8
Product Overview - B, N and W Control Suffixes.....	10
Control Box	12
Fire Suppression System Control Box	14
Dual Digital Control	16
Electronic Display Control - Vend Models with B in the 7th Position	18
Electronic Display Control - Vend Models with N or W in the 7th Position.....	20
Electronic Display Control - OPL Models with N in the 7th Position	22
Coin Drops	24
Coin Drop Kits	26
Emergency Stop Button	28
Cabinet Front Components.....	30
Cabinet Panels and Nameplates	32
Front Panel Assemblies	34
Lower Cabinet Front Components	36
Lint Panel Components.....	38
Cabinet Components	40
Rear Panel and Belt Guard Components	42
Door Components.....	44
Hinge Components	46
Cylinder and Trunnion Components	48
Bearing Components	50
Moisture Sensing Components	52
Drive Motor Components	54
Blower and Exhaust Components.....	56
Airflow Switch Assembly	58
Gas Heater Components	60
Burner Orifices	62
Electric Heater Components	64
Steam Heater and Valve	66
Control Tray	68
Accessory Box - Electric 200-240 Volt Models	70
Accessory Box - Electric 380-480 Volt Models	72
Harnesses	74
Labels	75
Parts Index.....	77

© Copyright 2018, Alliance Laundry Systems LLC

All rights reserved. No part of the contents of this book may be reproduced or transmitted in any form or by any means without the expressed written consent of the publisher.

Parts Ordering Information

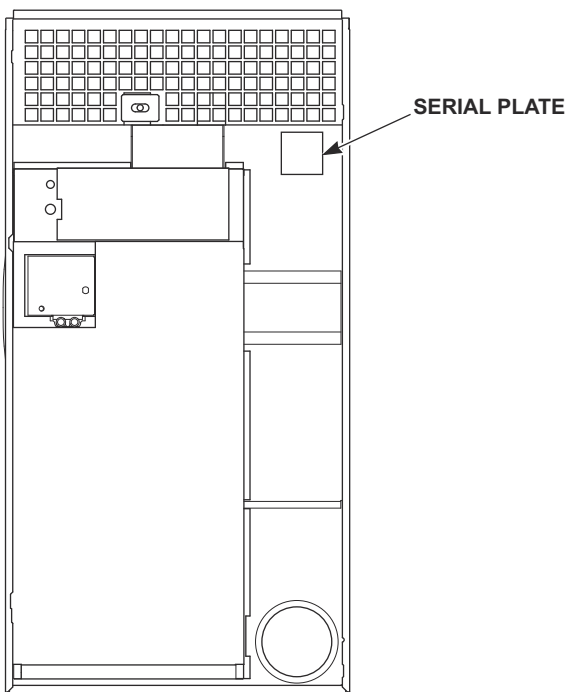
If literature or replacement parts are required, contact the source from whom the machine was purchased or contact Alliance Laundry Systems at (920) 748-3950 for the name and address of the nearest authorized parts distributor.

For technical assistance, call the number listed below:

(920) 748-3121 Ripon, Wisconsin

Serial Plate Location

When calling or writing about your product, be sure to mention model and serial numbers. Model and serial numbers are located on serial plate(s) as shown.



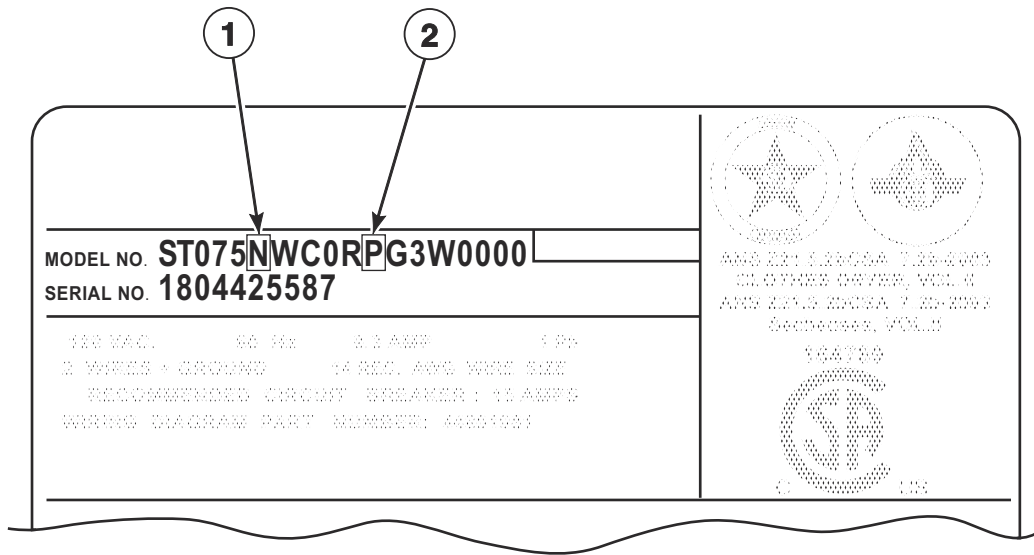
TMB2622N_70595001

Model Identification

Information in this manual is applicable to these tumbler models:

GA075E	KT075E	MG075D	NA075E
GA075L	KT075L	MG075E	NA075L
GA075M	KT075M	MG075F	NA075M
GA075N	KT075N	MG075L	NA075N
GA075S	KT075S	MG075M	NA075S
GG075E		MG075N	NG075E
GG075L		MG075R	NG075L
GG075M		MG075S	NG075M
GG075N		MJ075D	NG075N
GG075S		MJ075E	NG075S
GH075E		MJ075F	NH075E
GH075L		MJ075L	NH075L
GH075M		MJ075M	NH075M
GH075N		MJ075N	NH075N
GH075S		MJ075R	NH075S
GJ075E		MJ075S	NJ075E
GJ075L			NJ075L
GJ075M			NJ075M
GJ075N			NJ075N
GJ075S			NJ075S
GK075E			NK075E
GK075L			NK075L
GK075N			NK075N
GU075E			NR075E
GU075L			NR075S
GU075M			NU075E
GU075N			NU075L
GU075S			NU075M
			NU075N
			NU075S

Product Overview - Heat Source and Voltage



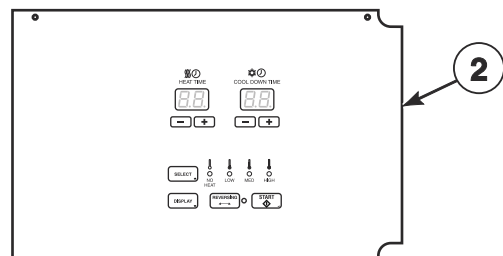
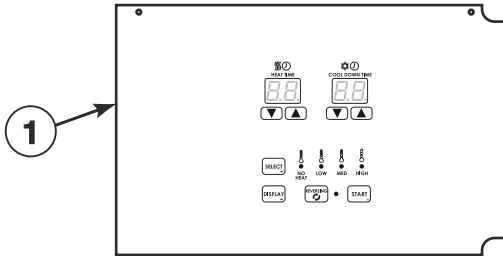
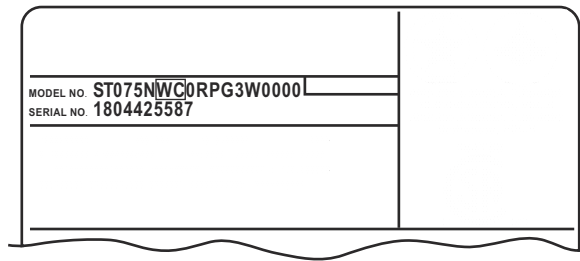
TMB3595P_70595001

Product Overview - Heat Source and Voltage

REF	PART NO.	DESCRIPTION	COMMENTS
1	-	Heat Source	D: Liquid Petroleum Gas (L.P.) E: Electric F: Reduced Electric (Eco Line) L: Liquid Petroleum Gas (L.P.) M: Medium Electric N: Natural Gas (N.G.) R: Reduced Gas, Natural Gas (Eco Line) S: Steam
2	-	Voltage	B: 100-120 Volt/50-60 Hertz/1 Phase; Gas and steam models F: 200-208 Volt/50-60 Hertz/3 Phase; Electric models G: 230-240 Volt/50-60 Hertz/3 Phase; Electric models H: 380 Volt/50-60 Hertz/3 Phase; Electric models J: 400-415 Volt/50-60 Hertz/3 Phase; Electric models K: 440 Volt/50-60 Hertz/3 Phase; Electric models L: 460-480 Volt/50-60 Hertz/3 Phase; Electric models N: 440-480 Volt/50-60 Hertz/3 Phase; Gas and steam models P: 380-415 Volt/50-60 Hertz/3 Phase; Gas and steam models X: 200-240 Volt/50-60 Hertz/1-3 Phase; Gas and steam models

Product Overview - FN Control Suffix

G, K and N models; OPL



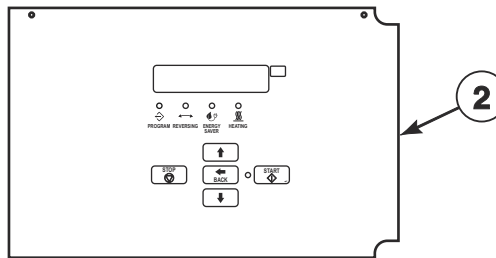
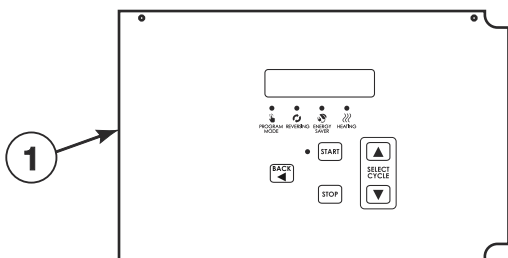
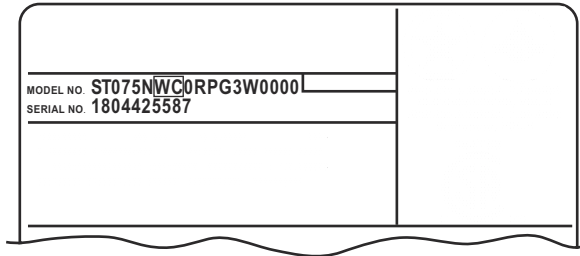
TMB3605P_70595001

Product Overview - FN Control Suffix

REF	PART NO.	DESCRIPTION	COMMENTS
1	-	Dual Digital Control	G and K models
2	-	Dual Digital Control	N models

Product Overview - DN and NN Control Suffixes

G, K and N Models



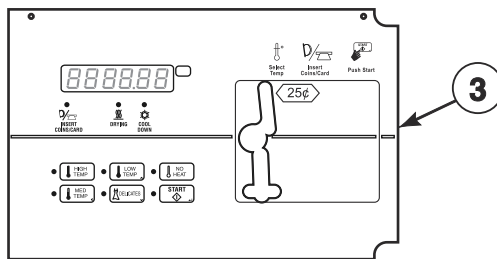
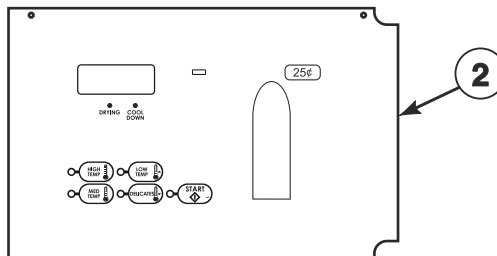
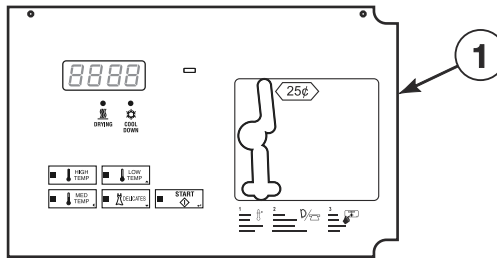
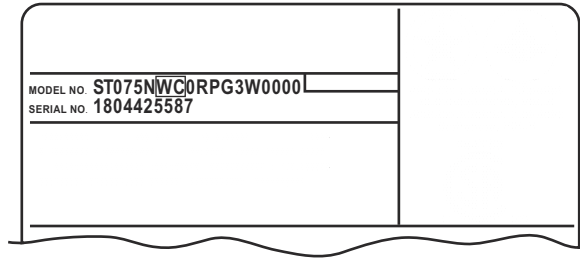
TMB3606P_70595001

Product Overview - DN and NN Control Suffixes

REF	PART NO.	DESCRIPTION	COMMENTS
1	-	OPL Micro Control	G and K models
2	-	OPL Micro Control	N models

Product Overview - B, N and W Control Suffixes

7th Position of the Model Number; Vend

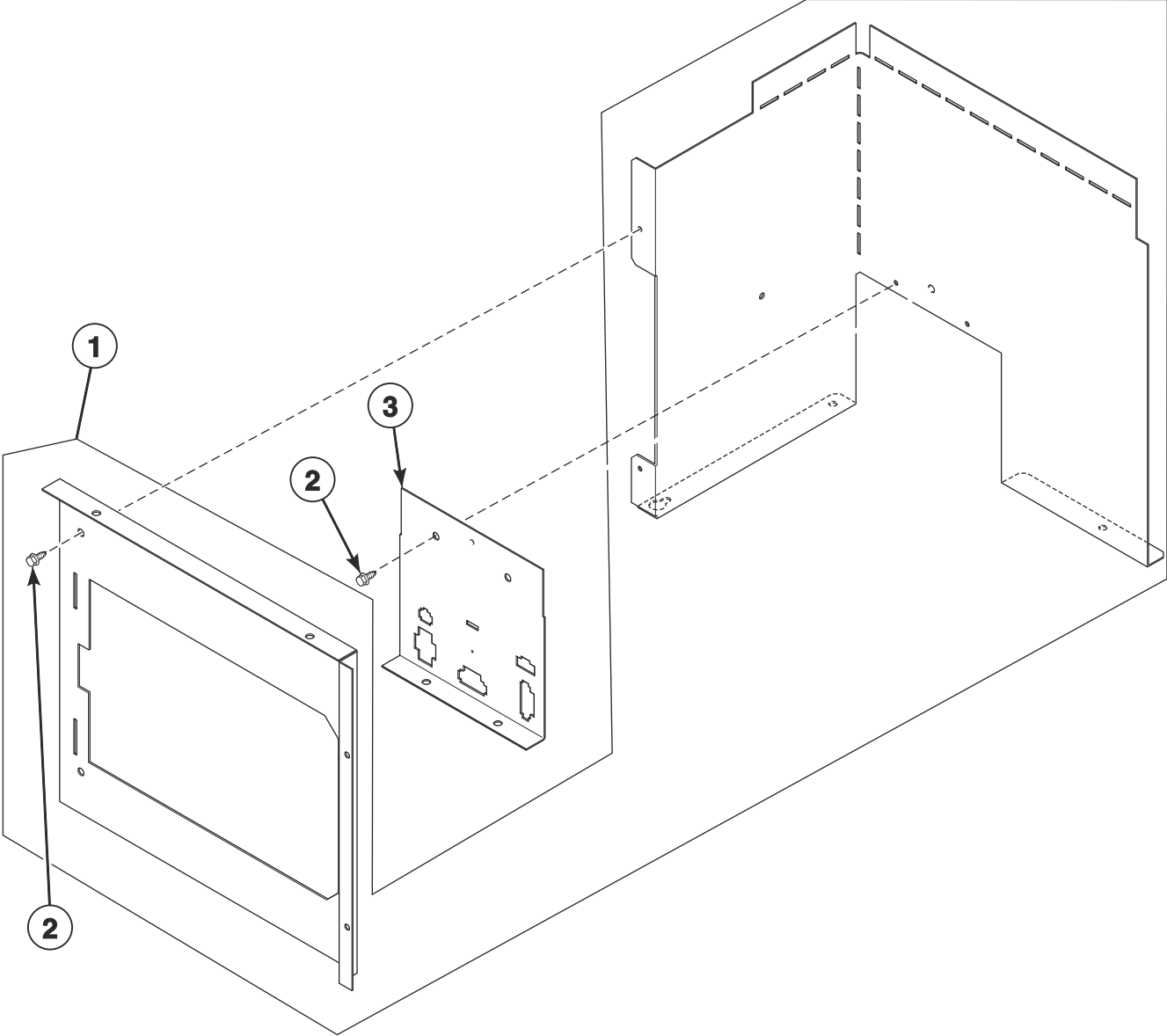


TMB3607P_70595001

Product Overview - B, N and W Control Suffixes

REF	PART NO.	DESCRIPTION	COMMENTS
1	-	Basic Electronic Control	N models
2	-	Basic Electronic Control	G and K models
3	-	Quantum Gold Control	M models

Control Box



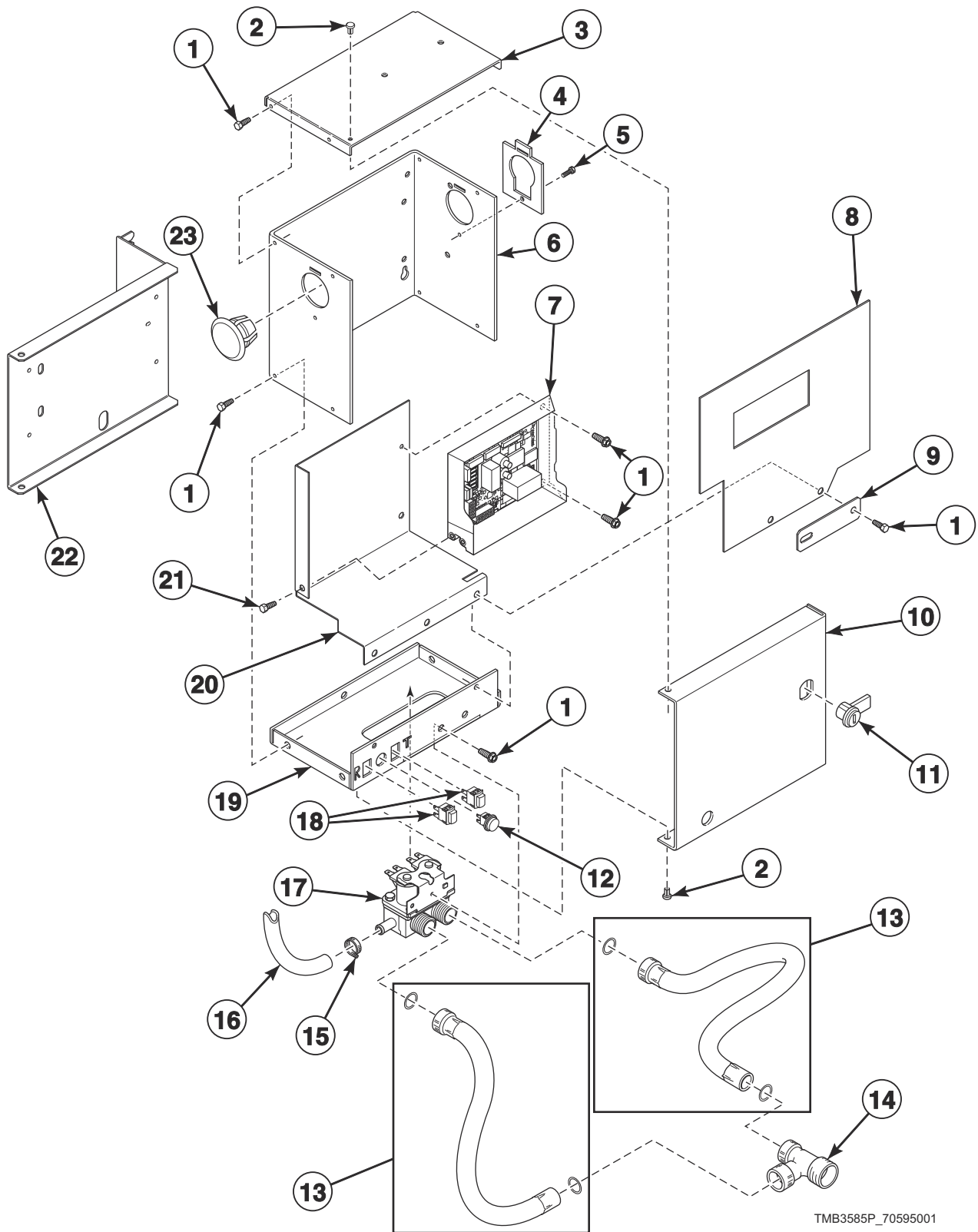
TMB3524P_70595001

Control Box

REF	PART NO.	DESCRIPTION	COMMENTS
	44334201	Main Harness	
1	44180101	Control Box Assembly	
2	430497	Screw	
3	70307007	Harness Mounting Plate	

Fire Suppression System Control Box

G and K Gas and Steam Models



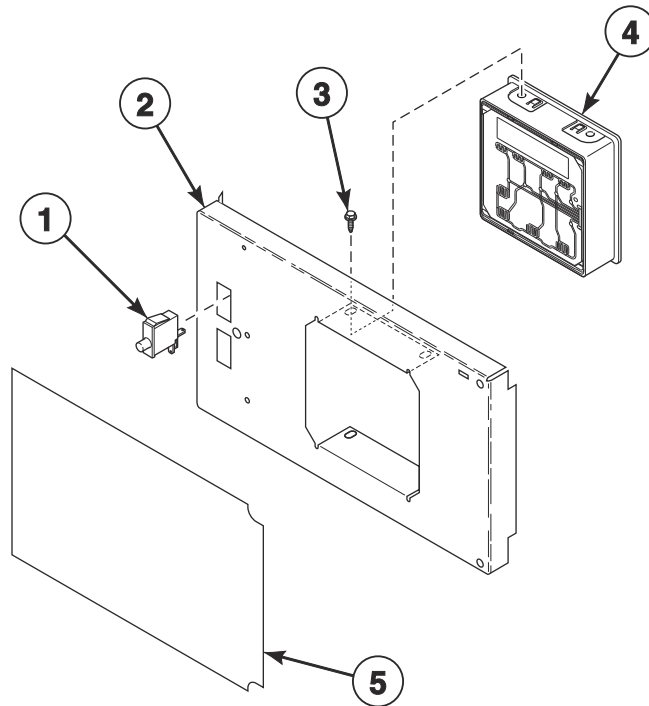
TMB3585P_70595001

Fire Suppression System Control Box

REF	PART NO.	DESCRIPTION	COMMENTS
	44340301	Cold Weather Kit	
	70155601	Key	RL001; Use with item 11
	44334404	Control Harness	
	44334405	Water Valve Harness	
	44334402	Power Sensor Harness	
	44334406	Sensor Harness	
	44334401	Interconnect Harness	
	44324501	Warning Label	F.S.S.; CSA models
	44324500	Label Kit	F.S.S.; IEC models
	F8614401	Shock Warning Label	CSA models
	F8614201	Shock Warning Label	IEC models
	44318200	Label Kit	IEC models
	44324502	Warning Label	
	44318201	Label	CSA models
1	430497	Screw	
2	M400713	Drive Rivet	
3	44307101	Control Box Top	
4	70523301	Harness Adapter Plate	
5	51780	Screw	
6	44306701	Control Box Housing	
7	70511601	Control	
8	44326801	Shield	
9	70551701	Filter Mounting Plate	
10	44065201	Control Box Cover	
11	44089301P	Lock, Key and Nut Kit	RL001 key code; Optional if same key is to be used for control lock
12	801432	Light	
13	202799	Fill Hose	2 required
14	44069101	Hose Fitting	CSA models
15	36801	Hose Clamp	
16	44073304	Hose	14 inches; Outlet hose
17	70519801	Mixing Valve	
18	801434W	Push-to-Start Switch	2 required
19	44065301	Control Box Base	
20	44306601	Mixing Valve Shield Bracket	
21	804608	Screw	
22	44308701	Mount Bracket	
23	70180001	Plug	

Dual Digital Control

G, K and N Models with F in the 7th Position



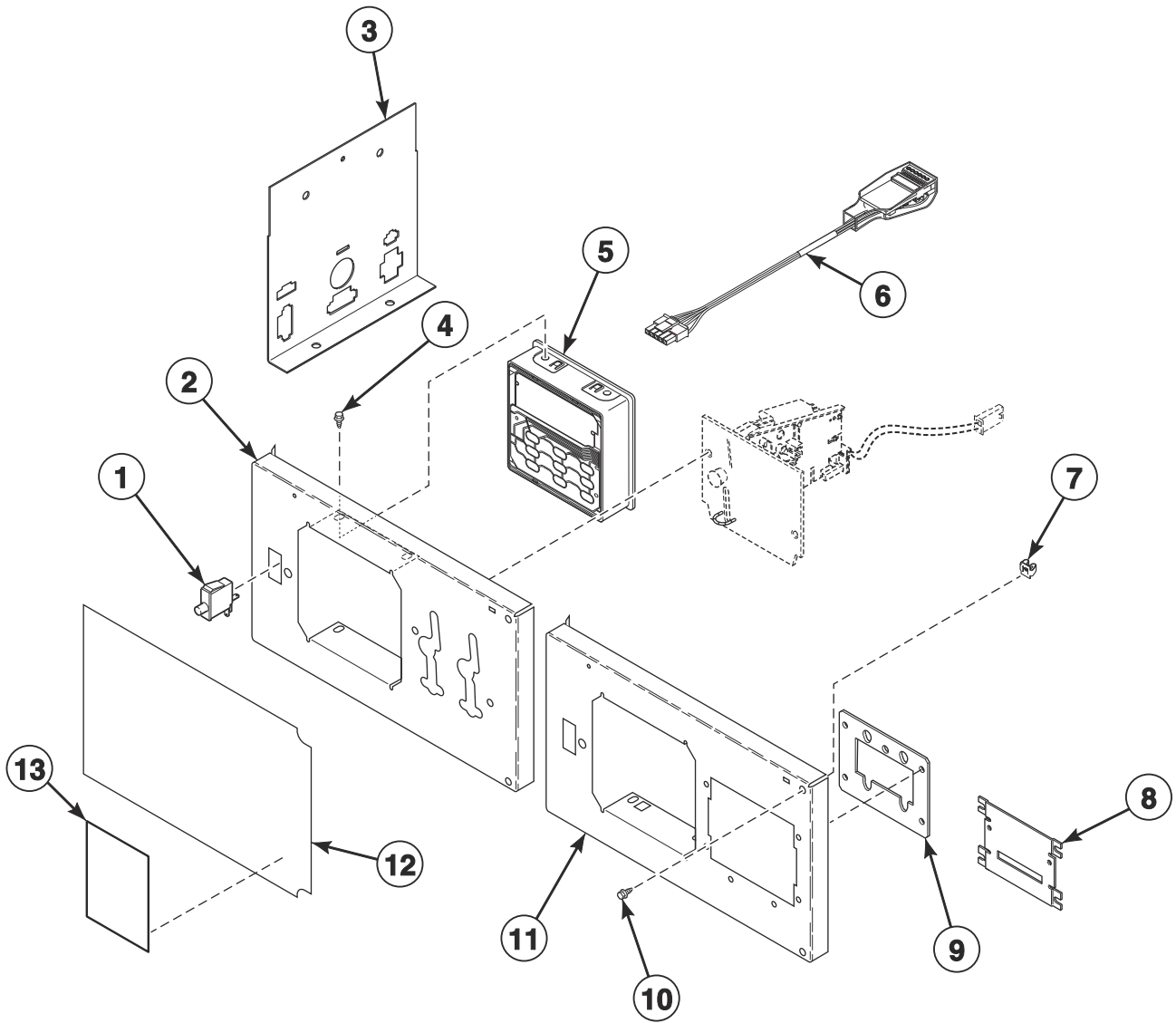
TMB3505P_70595001

Dual Digital Control

REF	PART NO.	DESCRIPTION	COMMENTS
	44334001	Vend Activation Harness	
1	70413301	Pushbutton Switch	
2	70497101	Control Plate	
3	804608	Screw	4 required
4	70479801	Control Assembly	Green
5	70547502	Overlay	G and K models; Nonreversing
	70547501	Overlay	G and K models; Reversing
	70516802	Overlay	N models; Nonreversing
	70516801	Overlay	N models; Reversing

Electronic Display Control - Vend Models with B in the 7th Position

G, K and N Models



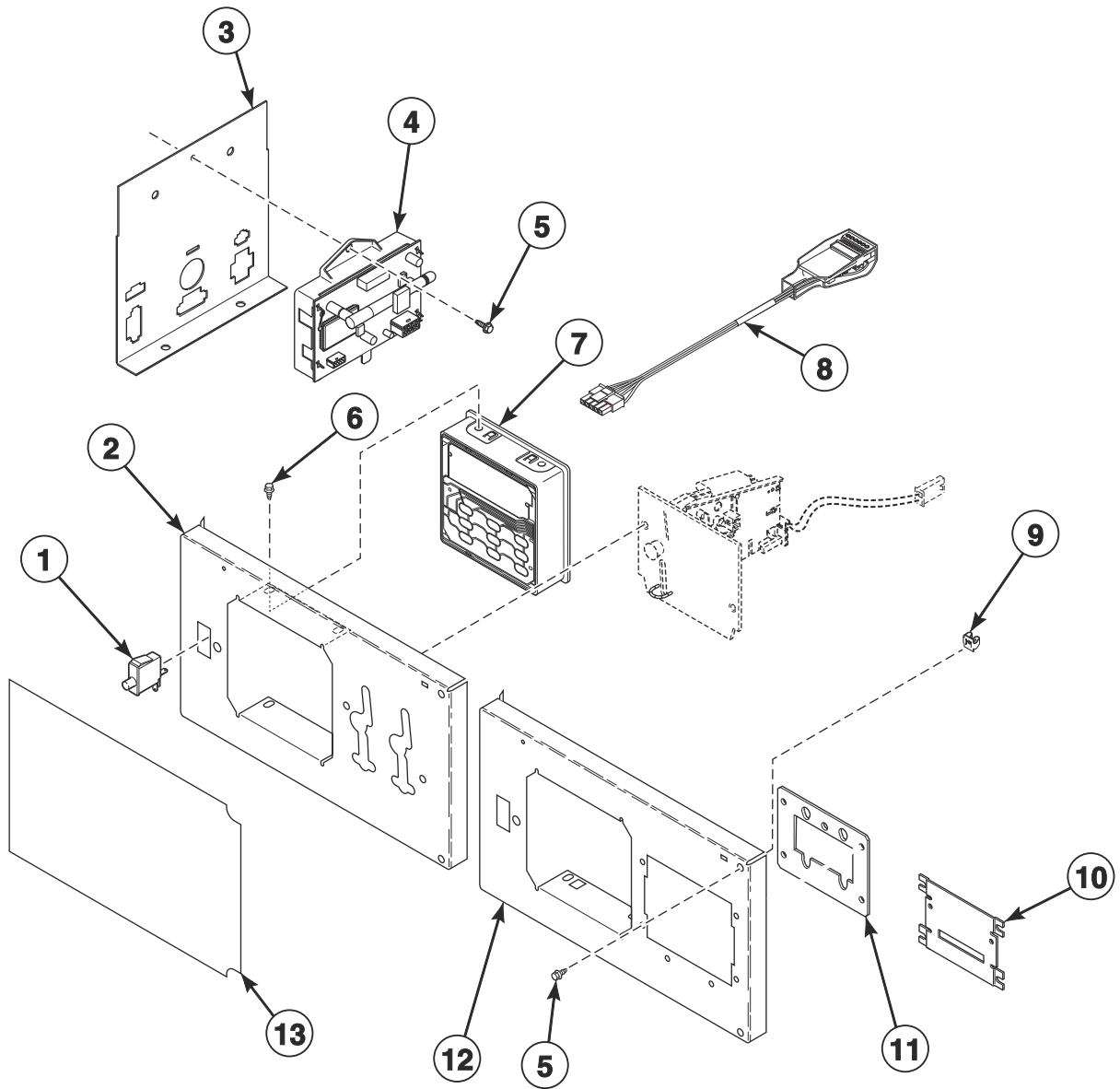
TMB3506P_70595001

Electronic Display Control - Vend Models with B in the 7th Position

REF	PART NO.	DESCRIPTION	COMMENTS
	44334001	Vend Activation Harness	
	44306001	Central Pay Harness	
1	70413301	Pushbutton Switch	
2	70496601	Control Plate and Studs Assembly	Coin and central pay
3	70307007	Harness Mounting Plate	
4	804608	Screw	4 required
5	70478801	Control Assembly	
6	203361P	Machine ID Control Assembly	Model or serial number is required when ordering
7	70030501	Expansion Clip	2 required
8	44089501	Slot Card Plate Assembly	N models; Included in literature packet
9	70208801	Mounting Plate	
10	M411072	Screw	2 required
11	70497201	Control Plate Assembly	Card and card ready
12	70547401	Overlay	G and K models; Single drop
	70547402	Overlay	G and K models; Dual drop
	70548101	Overlay	G and K models; Card ready
	70544701	Overlay	N models; Single drop
	70544702	Overlay	N models; Dual drop
	70544703	Overlay	N models; Card ready
13	F8205101	Overlay	Black; Single drop; Left
	70557001	Overlay	N models; Prep for card
	70557002	Overlay	N models; Central pay

Electronic Display Control - Vend Models with N or W in the 7th Position

M Models



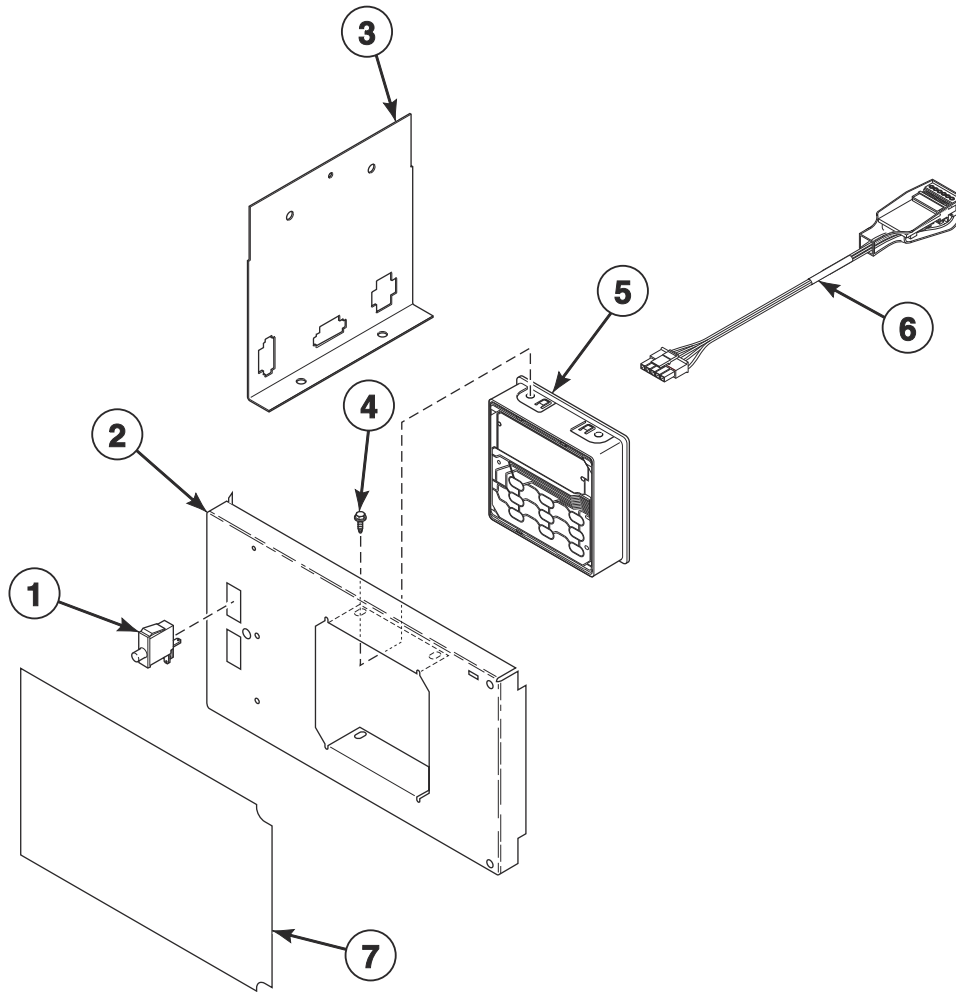
TMB3555P_70595001

Electronic Display Control - Vend Models with N or W in the 7th Position

REF	PART NO.	DESCRIPTION	COMMENTS
	70596301	Wireless Network Kit	
	44334001	Vend Activation Harness	
	F8536002	Wireless Network Board Harness	
1	70413301	Pushbutton Switch	
2	70496601	Control Plate and Studs Assembly	Coin and central pay
3	70307007	Harness Mounting Plate	
4	203532	Wireless Network Control Assembly	
5	M411072	Screw	
6	804608	Screw	4 required
7	70478801	Control Assembly	Green
8	203361P	Machine ID Control Assembly	Model or serial number is required when ordering
9	70030501	Expansion Clip	
10	44089501	Slot Card Plate Assembly	
11	70208801	Mounting Plate	
12	70497201	Control Plate Assembly	Card and card ready
13	70572601	Overlay	

Electronic Display Control - OPL Models with N in the 7th Position

G, K and N Models

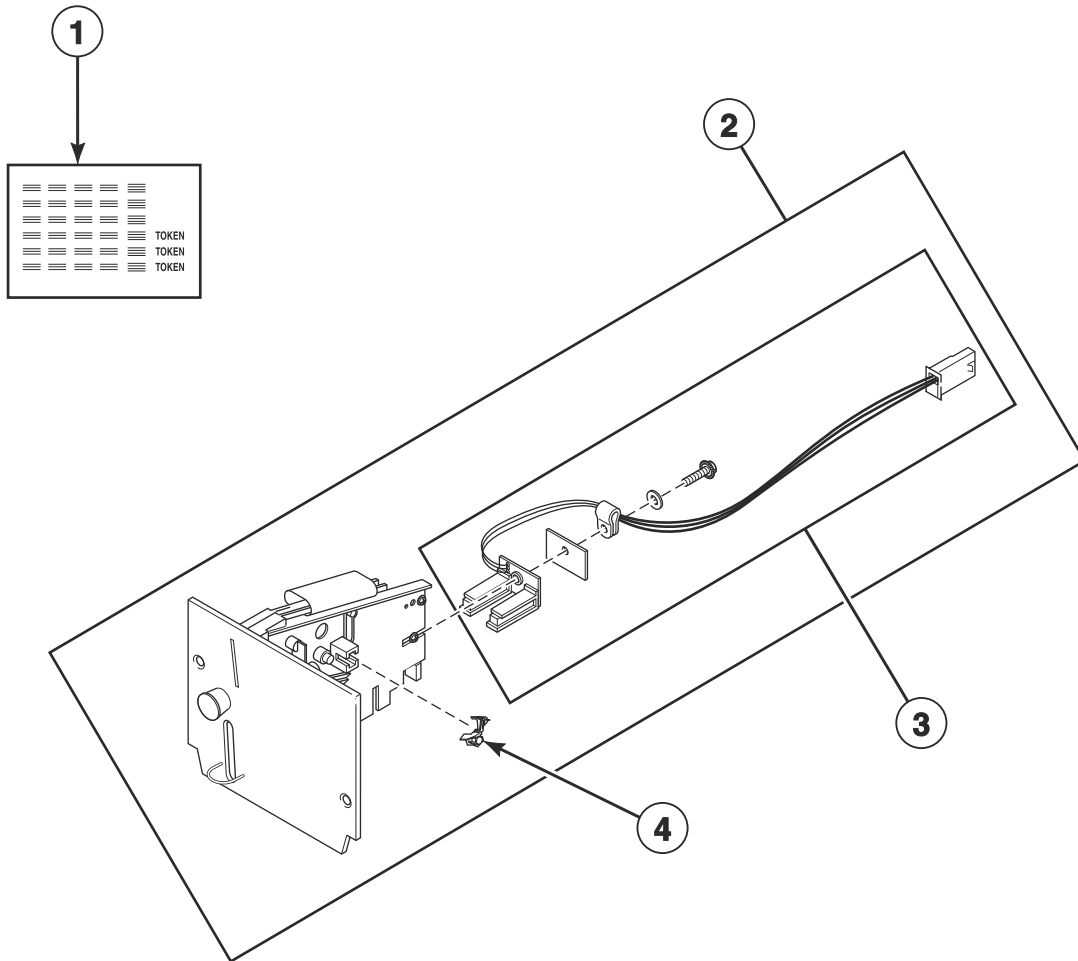


TMB3508P_70595001

Electronic Display Control - OPL Models with N in the 7th Position

REF	PART NO.	DESCRIPTION	COMMENTS
	44334001	Vend Activation Harness	
1	70413301	Pushbutton Switch	
2	70497101	Control Plate	
3	70307007	Harness Mounting Plate	
4	804608	Screw	4 required
5	70478802	Control Assembly	
6	203361P	Machine ID Control Assembly	Model or serial number is required when ordering
7	70547801	Overlay	G and K models; Reversing
	70547802	Overlay	G and K models; Nonreversing
	70572401	Overlay	N models; Reversing
	70572402	Overlay	N models; Nonreversing

Coin Drops



TMB3510P_70595001

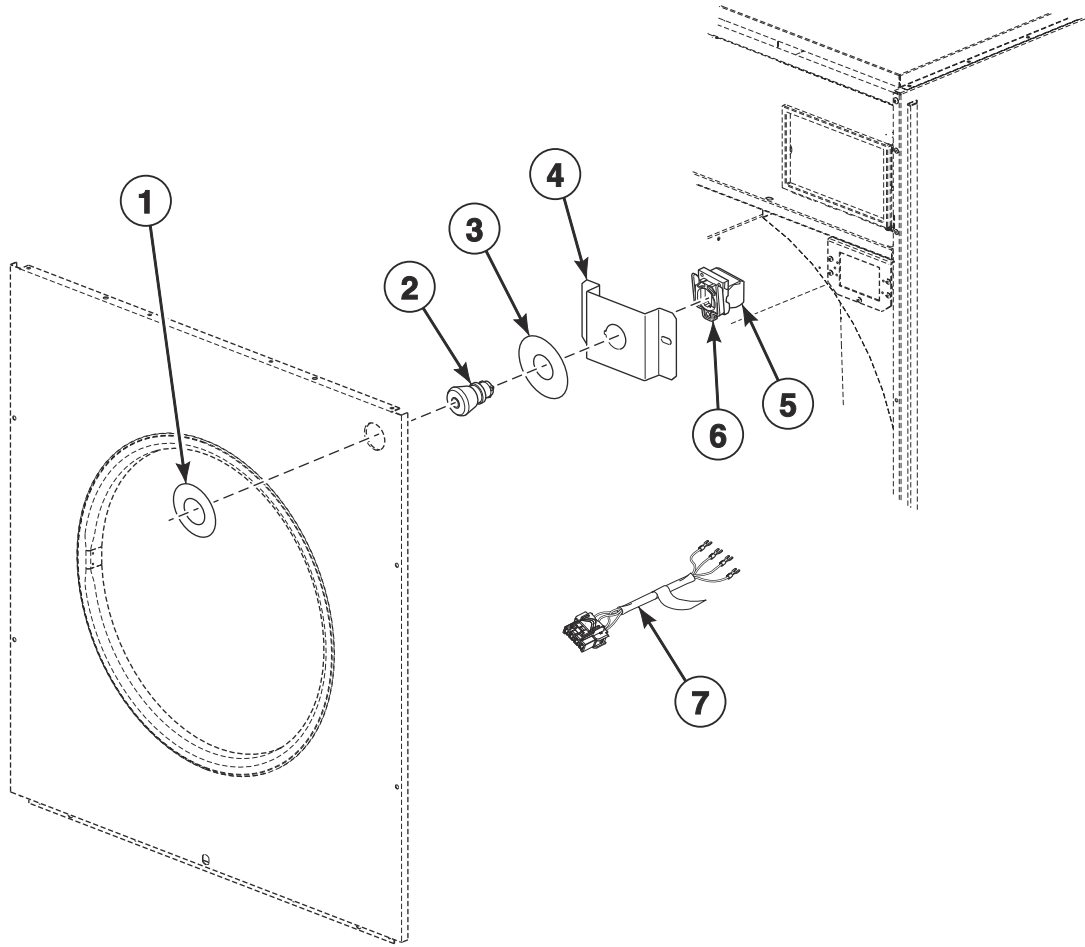
Coin Drops

REF	PART NO.	DESCRIPTION	COMMENTS
1	38725	Coin Identification Paper	
2	70441601P	Coin Drop	Single; U.S.A.; \$.25
	38475	Coin Drop Assembly	Single; Japan; 100 yen
	38464P	Coin Drop Assembly	Single; Canada; .25
	CK077	Coin Drop Kit	Single; Taiwan; 10 NT
	70506901	Coin Drop Assembly	Single; Singapore; \$1.00 NEW
	70441603	Coin Drop	Dual; U.S.A.; \$.25 and \$1.00
	38519	Coin Drop Assembly	Dual; Japan; 100 yen and 500 yen
	70441602	Coin Drop Assembly	Dual; Canada; .25 and 1.00
	38467	Coin Drop Assembly	Dual; Australia; \$0.20 and \$1.00
	70447301	Coin Drop Assembly	Dual; Australia; \$1.00 and \$2.00
	70283102	Coin Drop Assembly	Dual; 0.20 and 0.50 Euro
	210195	Coin Drop Assembly	Dual; 0.20 and 1.00 Euro
	210196	Coin Drop Assembly	Dual; 0.50 and 1.00 Euro
	F0160737-00	Coin Meter	Dual; 0.50 and 2.00 Euro
	70281102	Coin Drop Assembly	Dual; Taiwan; 10 and 50 NT
	70482401	Coin Drop Assembly	Dual; New Zealand ; \$1.00 and \$2.00
	38462P	Coin Drop Assembly	Single; Token; STD 118-1
	38463	Coin Drop Assembly	Single; Token; STD 118-5
	38963P	Coin Drop	Single; Token STD 118-16
	39748	Coin Drop	Single; Jeton 08MS
	201141	Coin Drop Assembly	Single; Token; Jeton wh121
	70471601	Coin Drop Assembly	Single; Token; 7K
	70513302	Electronic Coin Drop Assembly	Euro and Great Britain coins
	70513310	Electronic Coin Drop Assembly	Japan and Thailand coins
	70513304	Electronic Coin Drop Assembly	Australia, New Zealand, Hong Kong and South Korea coins
	70513303	Electronic Coin Drop Assembly	Denmark, Norway and Euro coins
	70513306	Electronic Coin Drop Assembly	Mexico, Ecuador and U.S.A. coins
	70294107	Electronic Coin Drop Assembly	Lithuania, Latvia and Euro coins
	70513311	Electronic Coin Drop Assembly	China and Malaysia coins
	70513308	Electronic Coin Drop Assembly	South African 1, 2 and 5 rand coins
	70513309	Electronic Coin Drop Assembly	Euro coins
	70513312	Electronic Coin Drop Assembly	Russia coins
	70513313	Electronic Coin Drop Assembly	Phillipines coins
	70513314	Electronic Coin Drop Assembly	Thailand coins
	70513315	Electronic Coin Drop Assembly	Chile coins
	70513316	Electronic Coin Drop Assembly	Singapore coins
3	200674P	Opto Coupler	
4	201595P	Wire Guard	

Coin Drop Kits

REF	PART NO.	DESCRIPTION	COMMENTS
	CK115	Electronic Coin Drop Kit	United States and Canada
	CK099	Electronic Coin Drop Kit	Australia (default), New Zealand, Hong Kong, South Korea and Malaysia
	CK100	Electronic Coin Drop Kit	United Kingdom (default) and Europe
	CK101	Electronic Coin Drop Kit	Europe (default), Denmark and Norway
	CK108	Electronic Coin Drop Kit	South Africa
	CK109	Electronic Coin Drop Kit	Euro
	CK110	Electronic Coin Drop Kit	Mexico (default), Ecuador and United States
	CK113	Electronic Coin Drop Kit	Japan and Taiwan
	CK116	Electronic Coin Drop Kit	Malaysia (default) and China
	CK117	Electronic Coin Drop Kit	Russia
	CK118	Electronic Coin Drop Kit	Philippine
	CK119	Electronic Coin Drop Kit	Thailand
	CK120	Electronic Coin Drop Kit	Chile
	CK121	Electronic Coin Drop Kit	Singapore
	CK122	Coin Drop Kit	New Zealand; 1.00 and 2.00

Emergency Stop Button

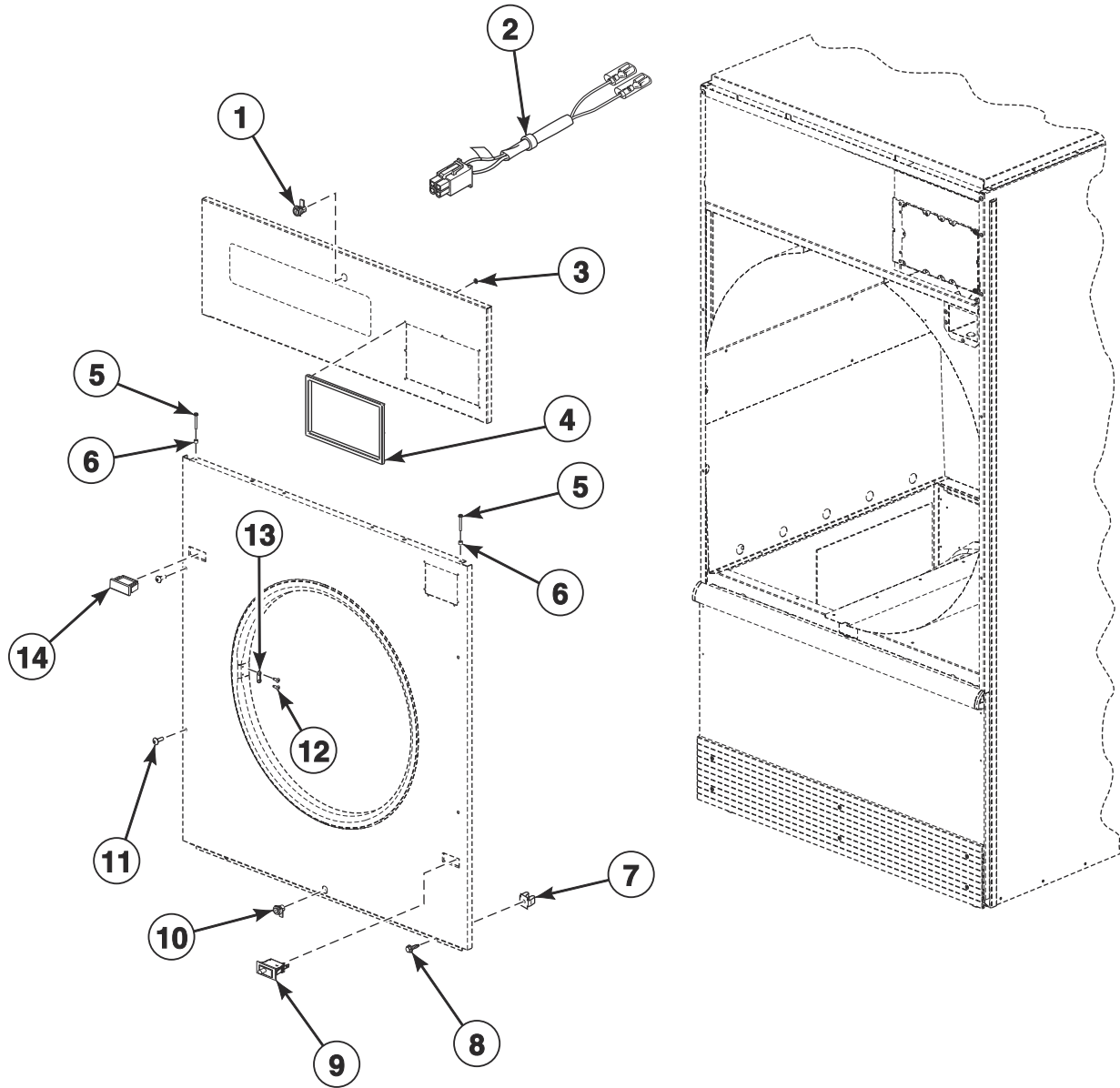


TMB3513P_70595001

Emergency Stop Button

REF	PART NO.	DESCRIPTION	COMMENTS
	70580301	Emergency Stop Button Kit	Includes items 2-4
	F8519403	Emergency Stop Bypass Harness	Coin, card and central pay
	44272106	Emergency Stop Interconnect Harness	
1	44012903	Emergency Stop Label	
2	F200233500	Emergency Stop Pushbutton	
3	44012901	Emergency Stop Label	
4	70550401	Emergency Stop Mounting Bracket	
5	F8069501	Contact Switch	2 required
6	F8538101	Contact Base	
7	44272401	Emergency Stop Harness	

Cabinet Front Components

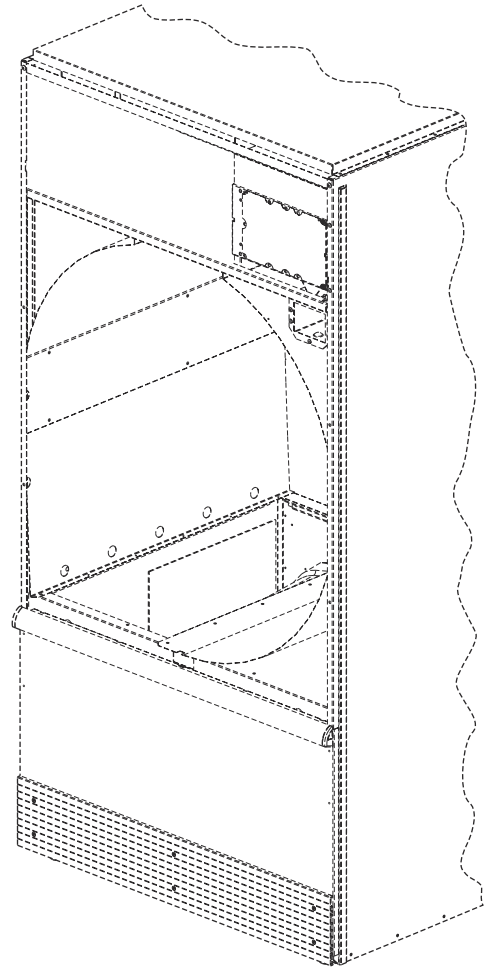
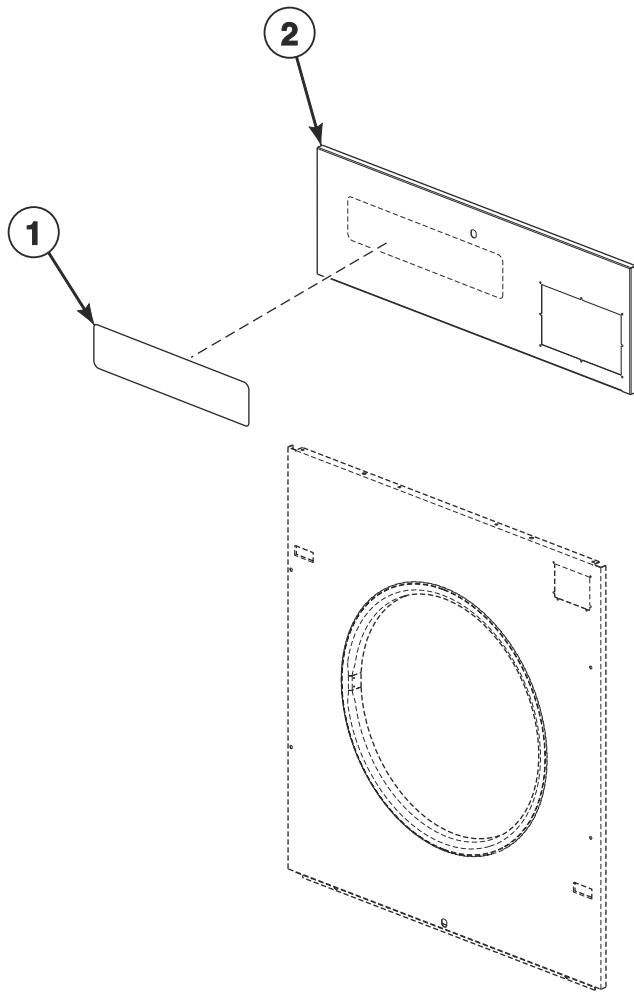


TMB3538P_70595001

Cabinet Front Components

REF	PART NO.	DESCRIPTION	COMMENTS
	M4379P4	Tumbler Dolly Kit	
	44271502	Door Switch Harness	
	44334103	Bypass Harness	Card and central pay
1	44089301P	Lock, Key and Nut Kit	RL001 key code; Control panel; Optional if same key is to be used for control lock
	70155601	Key	RL001
	44089304	Panel Lock	RL001; Chrome
2	44334101	Coin Vault Switch Harness	
3	M400977	Nut	8 required per control trim
4	44016401	Control Trim	Black
5	70275801	Screw	4 required
6	56079	Panel Locator	2 required
7	70030501	Expansion Clip	
8	M411072	Screw	4 required; Front panel; Bottom
9	70413301	Pushbutton Switch	Door switch
10	44089301P	Lock, Key and Nut Kit	RL001 key code; Lint panel; Optional if same key is to be used for control lock
	70155601	Key	RL001
	44089302P	Lock, Key and Nut Kit	RL002 key code; Lint panel; Standard coin and card models
	70155602	Key	RL002
	44089305	Panel Lock	RL002; Chrome
11	70033502	Screw	4 required for painted panels; 2 required for stainless steel panels in addition to 2 of 70182601 Screw
	70182601	Screw	2 required for stainless steel panels in addition to 2 of 70033502 Screw
12	M400003	Pop Rivet	2 per door latch
13	M401223	Door Latch	2 required
14	44057801W	Switch Hole Plug	White
	44057801Q	Switch Hole Plug	Bisque
	44057801B	Switch Hole Plug	Black; For stainless steel
	44057801LG	Switch Hole Plug	Light gray

Cabinet Panels and Nameplates



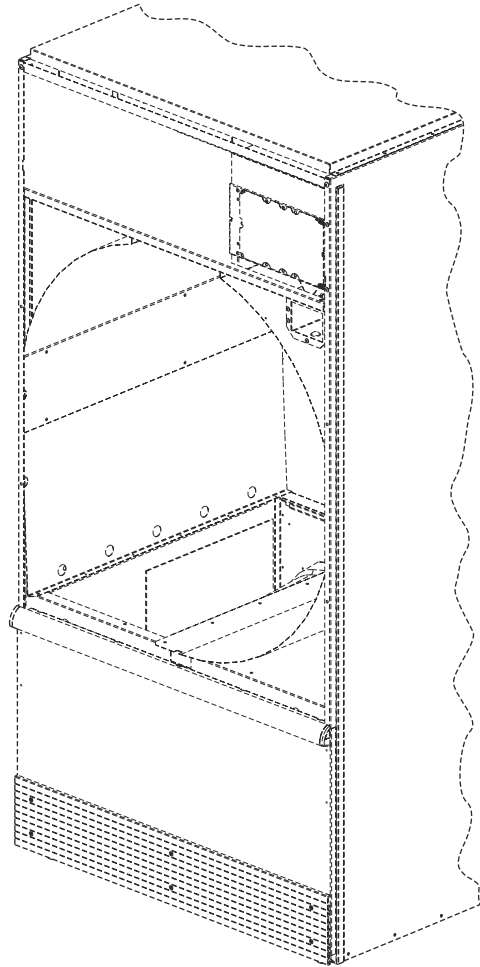
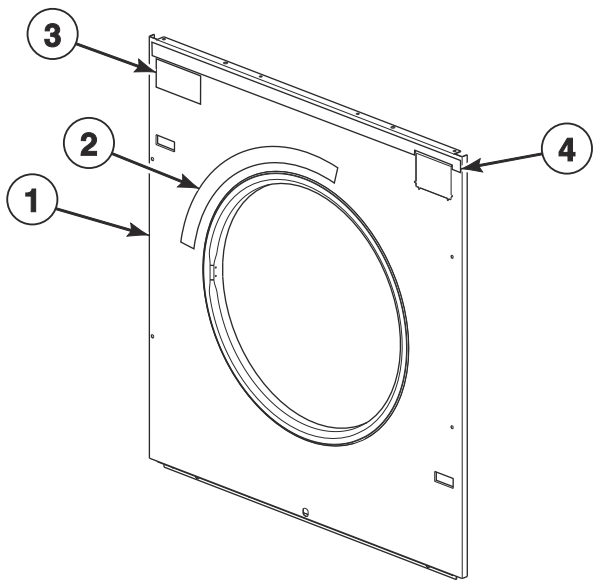
TMB3610P_70595001

Cabinet Panels and Nameplates

REF	PART NO.	DESCRIPTION	COMMENTS
	44150105	Insulation	Use behind item 3
1	70410201	Nameplate Overlay	G models; OPL
	70411401	Nameplate Overlay	G models; Coin
	44130301	Nameplate Overlay	K models; OPL
	44144401	Nameplate Overlay	K models; Coin
2	44040005*	Control Panel	G and K models
	44040013	Control Panel	G and K models; Stainless steel
	44000125	Control Panel	M models; Stainless steel
	44000122*	Control Panel	M and N models

* Add Letter To Designate Color. **Q** - Bisque **W** - White

Front Panel Assemblies



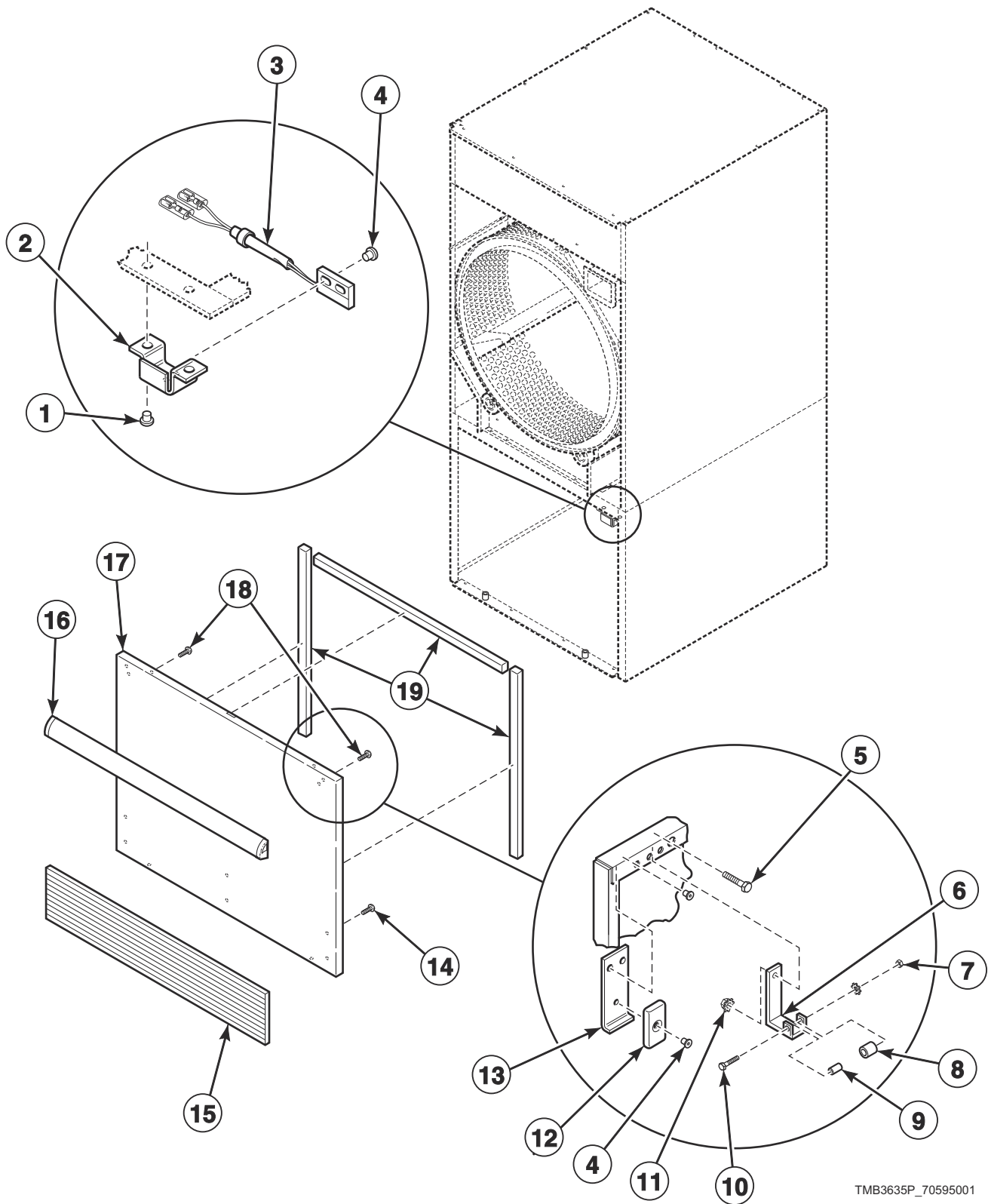
TMB3540P_70595001

Front Panel Assemblies

REF	PART NO.	DESCRIPTION	COMMENTS
1	44052525*	Front Panel	Coin
	44052527	Front Panel	Coin; Stainless steel
	44052503*	Front Panel	Card and central pay
	44052522	Front Panel	Card and central pay; Stainless steel
	44052528*	Front Panel	OPL
	44052529	Front Panel	OPL; Stainless steel
2	70534401	Warning Label	English
	70534402	Warning Label	French
	70534405	Warning Label	Colombian Spanish
	70534400	Label Kit	Warning; IEC models
3	70537101	Label	G and K models; F.S.S.
	70537001	Label	M and N models; C.A.R.E.
4	70399402	Access Panel Trim	G and K models

* Add Letter To Designate Color. Q - Bisque W - White

Lower Cabinet Front Components



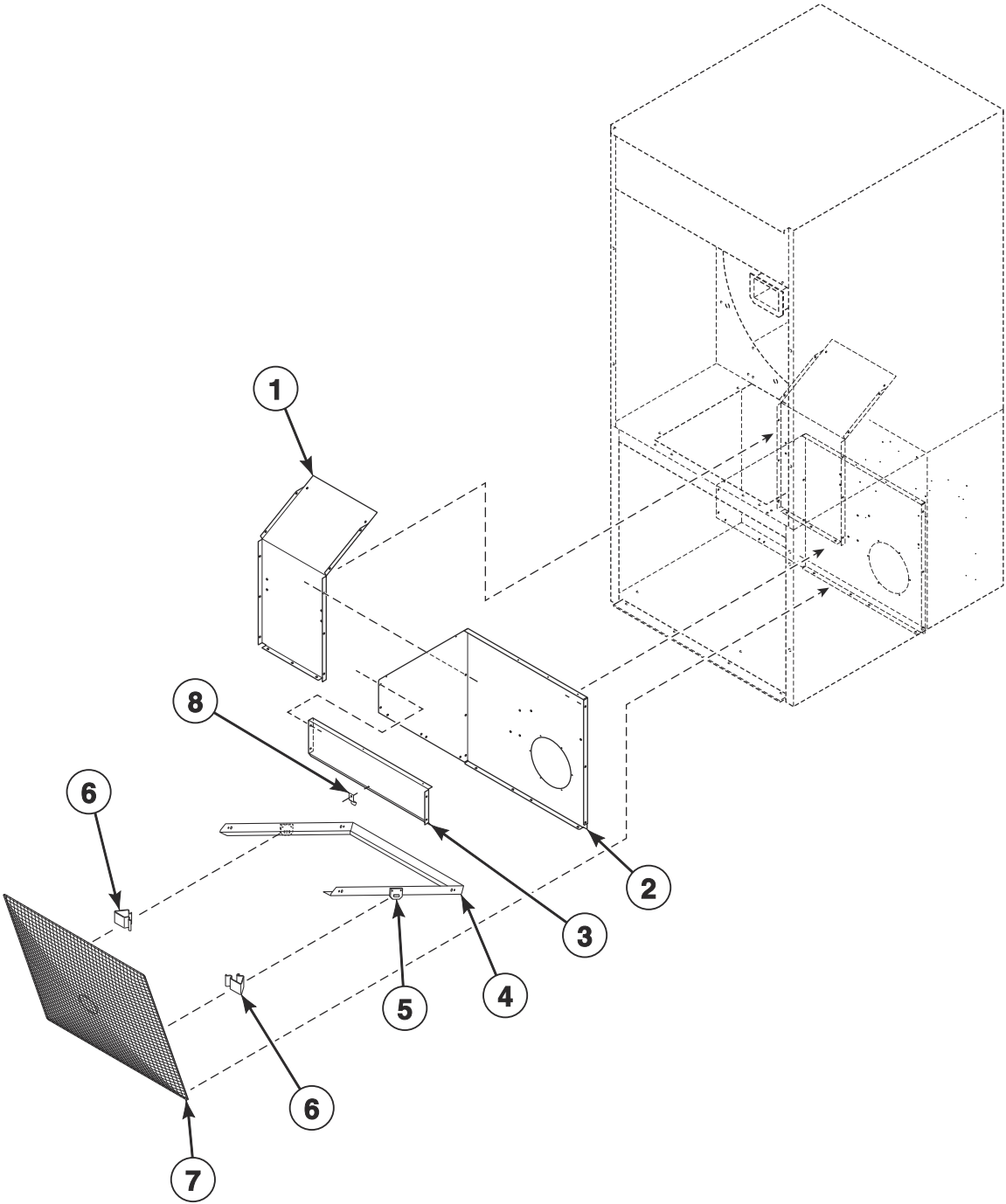
TMB3635P_70595001

Lower Cabinet Front Components

REF	PART NO.	DESCRIPTION	COMMENTS
	70404001	Roller Bracket Assembly	Includes items 6-10
1	70058501	Pop Rivet	
2	44296101	Switch Bracket	
3	F8066804	Reed Switch Assembly	
4	F8245101	Blind Rivet	
5	70132301	Screw	Attaching roller catch
6	70030301	Roller Catch Arm	
7	23951	Nut	
8	70297601	Roller Catch Wheel	
9	70030201	Roller Catch Spacer	
10	70072801	Screw	
11	51236	Nut	Attaching roller catch
12	70343101	Magnet	
13	44290501	Magnet Bracket	
14	70126301	Pop Rivet	For attaching kickplate; Black; 6 required
	70126401	Pop Rivet	For attaching kickplate; Gray; 6 required
15	70117607	Kickplate	Black
16	70154405	Handle and Caps Assembly	M and N models; Black; Includes endcaps
	70407202	Handle Bumper	G and K models; Black and blue; Does not include endcaps
17	44293601*	Lint Panel	
	44293602	Lint Panel	K and M models; Stainless steel
18	430757	Screw	
19	70289101P	Lint Panel Gasket	Sold per foot

* Add Letter To Designate Color. Q - Bisque W - White

Lint Panel Components

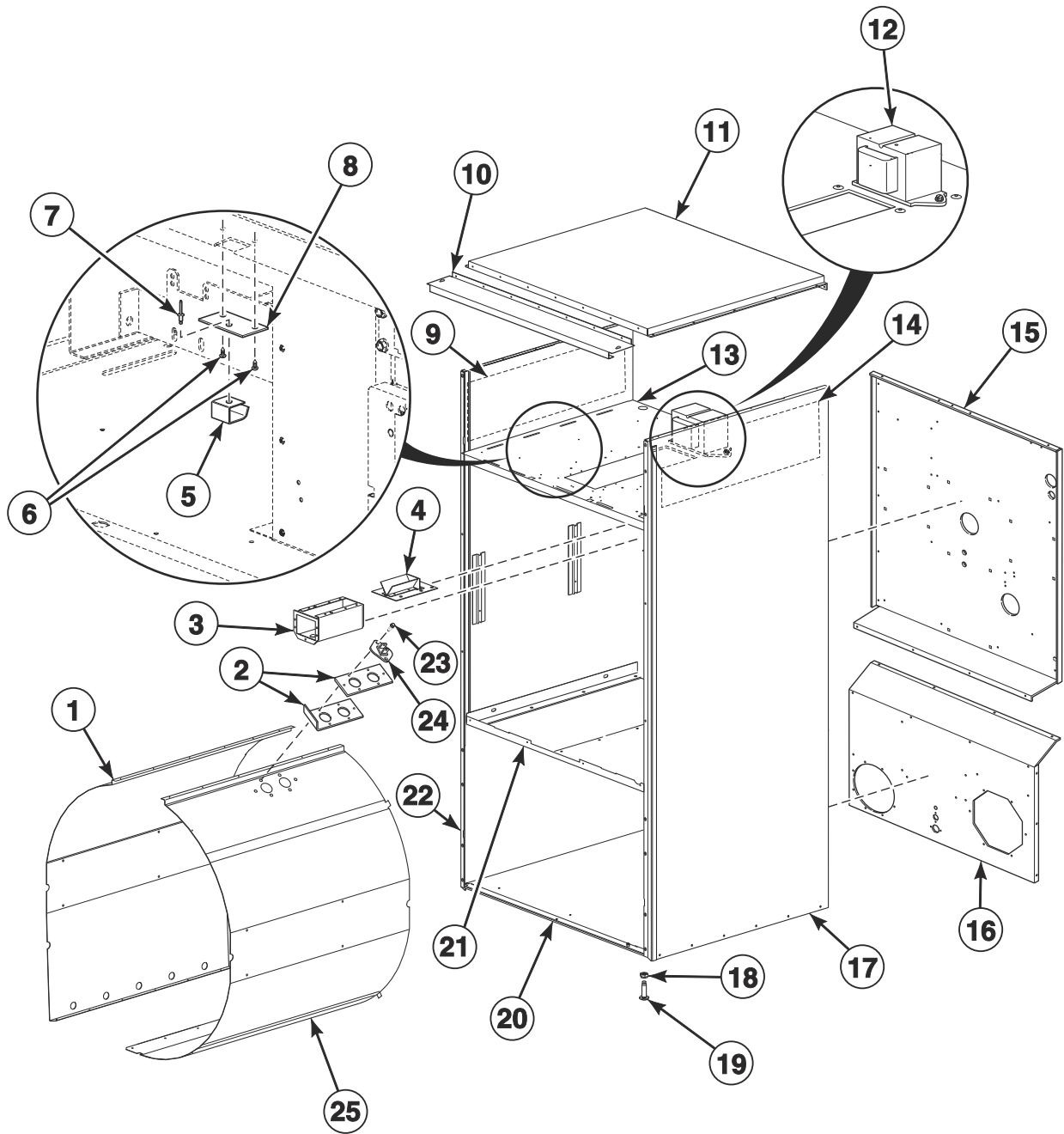


TMB3637P_70595001

Lint Panel Components

REF	PART NO.	DESCRIPTION	COMMENTS
1	44298102	Lint Panel	Left
2	44300901	Lint Panel	Right
3	44298901	Lint Screen Top Rail	
4	44325301	Lint Bracket	
5	44140202	Lint Clip Bracket	2 required
6	35865	Hold-Down Clip	2 required
7	44063601	Lint Screen	
8	H96418413	Lint Screen Clip	

Cabinet Components



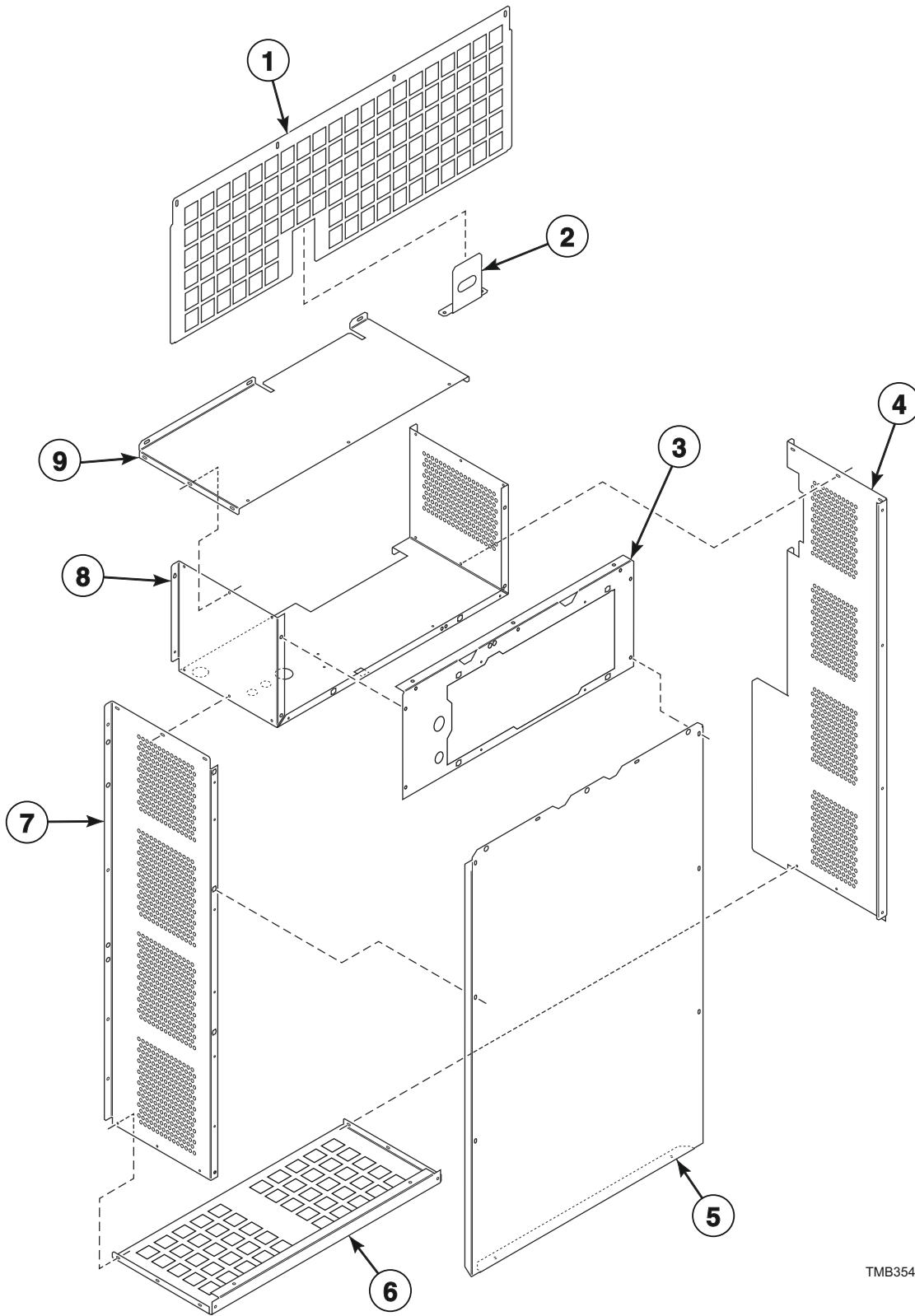
TMB3638P_70595001

Cabinet Components

REF	PART NO.	DESCRIPTION	COMMENTS
	298P4P	Spray Paint	White
	122P4P	Porcelain Touch-Up Paint	White
	370P4P	Porcelain Touch-Up Paint	Bisque
	70058501	Pop Rivet	Use with items 17 and 22
	430497	Screw	Use with items 17 and 22
	44334103	Bypass Harness	Coin vault switch
	44334101	Coin Vault Switch Harness	
	44272301	Transformer Harness	120 Volt; Use with item 12
	44272302	Transformer Harness	240 Volt; Use with item 12
1	44299001	Baffle	Left
2	44068101	Thermistor Plate	
	44068102	Thermistor Plate	Use as a shim
3	70529501	Coin Vault Assembly	
	70529502	Coin Vault and Emergency Stop Mount Assembly	Models with emergency stop
	F160673P	Coin Box	Optional equipment; Includes lock and key
4	70296401	Coin Chute Assembly	Wide
5	431318	Control Door Latch	
6	431287	Screw	
7	M400003	Pop Rivet	
8	44003201	Latch Mounting Bracket	
9	44150102	Insulation	
10	44129401	Top Panel Bracket	Gas and electric models
11	44129301P	Top Cover Pan	Gas and electric models
	44139301	Top Cover	Steam models
12	202757	Transformer	100-120 Volt; Card reader models
	202758	Transformer	All other voltages; Card reader models
13	44300101	Top Pan	
14	44150105	Insulation	
15	44297001	Upper Rear Panel	
16	44300001	Lower Rear Panel	
17	44299501*P	Side Panel	Right
18	21899	Nut	Right
19	70247701	Screw	Leveling leg
20	44298701	Bottom Pan	
21	44298601	Center Pan	
22	44299401*	Side Panel	Left
23	51780	Screw	
24	44064701	Thermistor	
25	44299802	Baffle	Right
	44299801	Baffle	Right with fire suppression system

* Add Letter To Designate Color. Q - Bisque W - White

Rear Panel and Belt Guard Components

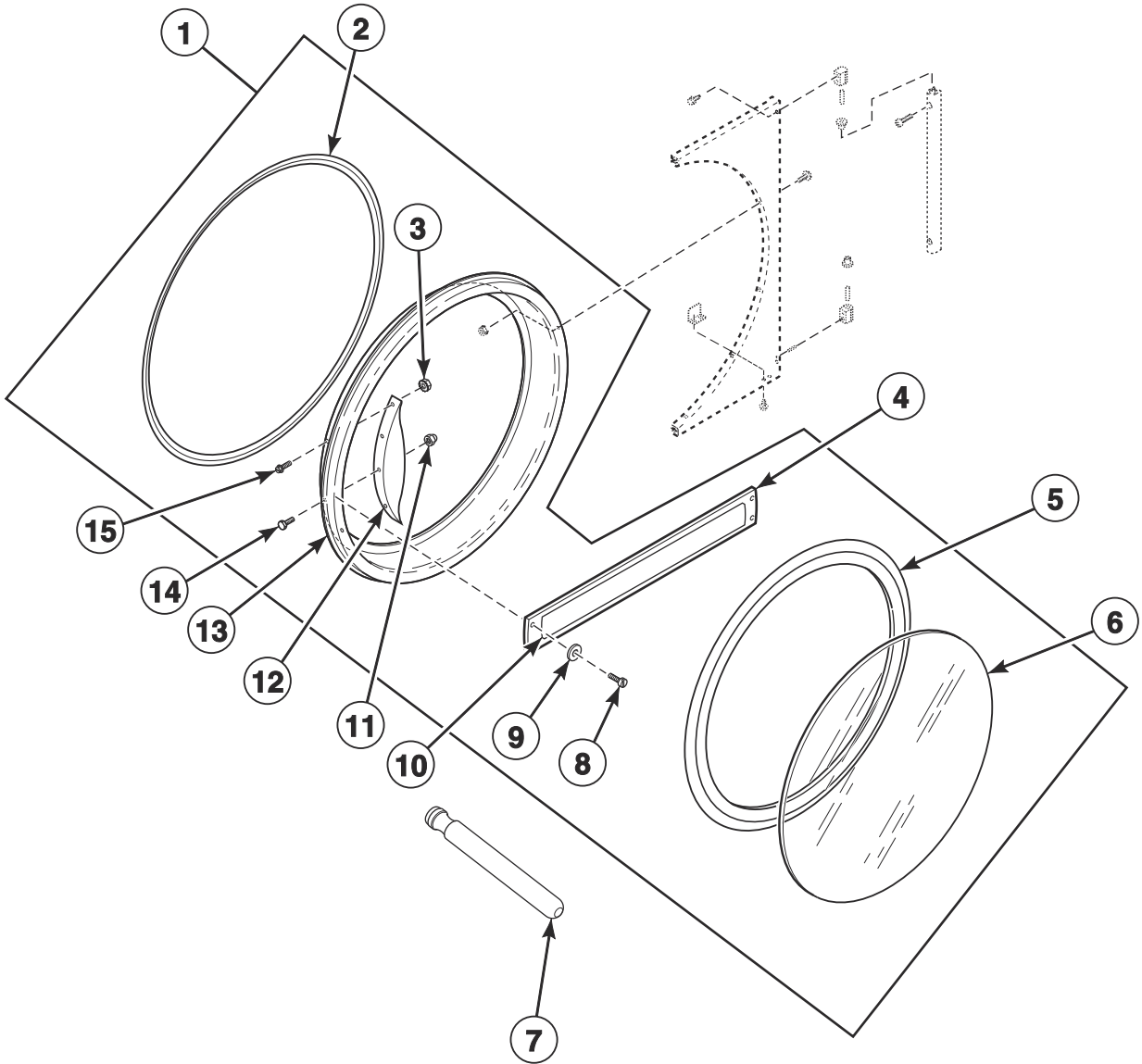


TMB3547P_70595001

Rear Panel and Belt Guard Components

REF	PART NO.	DESCRIPTION	COMMENTS
1	44300301	Stove Grate	Gas models
	44300302	Stove Grate	Steam models
	44305601	Stove Grate	Electric models
2	44327601	Pipe Bracket	Gas models
3	44332201	Belt Guard	Middle
4	44298301	Belt Guard Side Panel	Left
5	44269201	Guard Panel	Rear
	44269202	Guard Panel	Rear with fire suppression system
6	44298401	Belt Guard	Bottom
7	44301101	Belt Guard Side Panel	Right
8	44332301	Guard Panel	Middle
9	44314301	Belt Guard	Top

Door Components

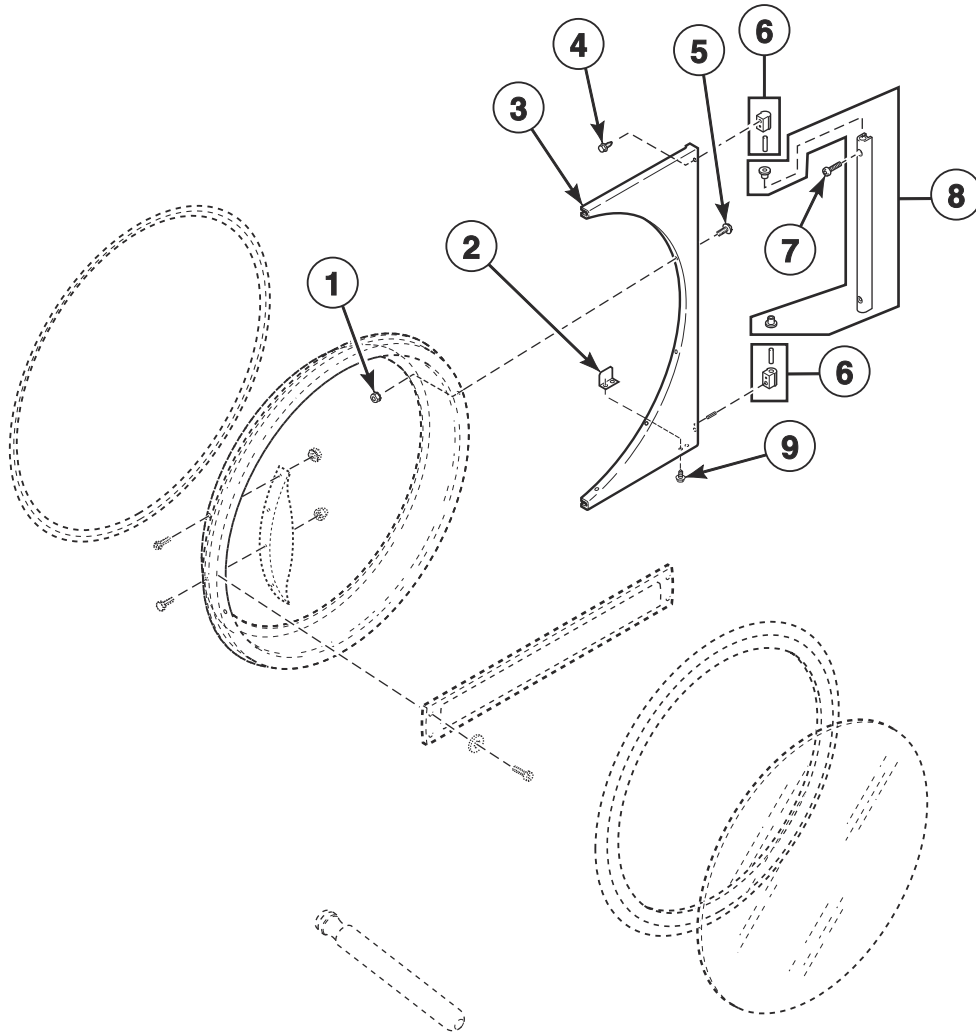


TMB3091P_70595001

Door Components

REF	PART NO.	DESCRIPTION	COMMENTS
1	44028906	Door Assembly	M models; Stainless steel
	44028908	Door Assembly	M models; Chrome
	44028907	Door Assembly	N models
	70407402	Door Assembly	G and K models
2	70296802	Door Ring Gasket	
3	44088001	Nut	M and N models; 4 required
4	70399501B	Handle Bar	G and K models
5	70211902P	Door Seal Kit	Use Loctite 414 for seal
6	44008401P	Door Glass	
7	M4221P4	Door Glass Installation Tool	
8	70412601	Pop Rivet	G and K models; 4 required
9	70409301	Washer	G and K models; 2 required
10	70414001	Label	K models; Coin
11	M414215	Nut	
12	44007901	Door Handle	M and N models
13	44326001	Door Ring Assembly	M models; Stainless steel
	44326005	Door Ring Assembly	M models; Chrome
	44326004B	Door Ring Assembly	N models
	44326003B	Door Ring Assembly	G and K models
14	M400661	Screw	Door strike
15	70442101	Screw	M and N models; 4 required

Hinge Components



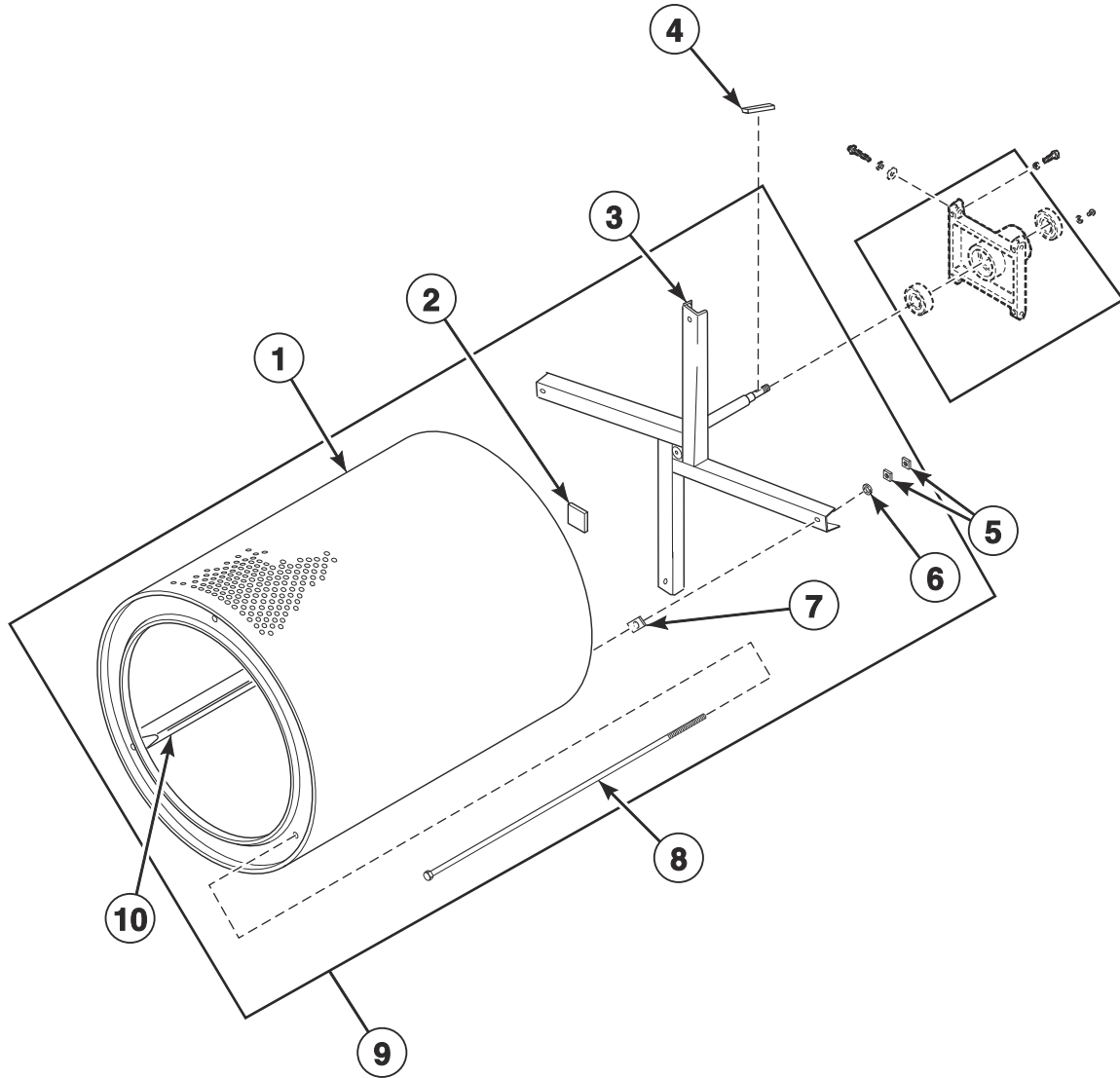
TMB3091PA_70595001

Hinge Components

REF	PART NO.	DESCRIPTION	COMMENTS
1	44088001	Nut	6 required
2	70215001P	Door Switch Actuator Kit	
3	44075208B	Door Hinge Assembly	Black; G, K and N models
	44075203*	Door Hinge Assembly	M and N models
	44075211	Door Hinge Assembly	M models; Stainless steel
4	70442101	Screw	3 required
5	M400044	Screw	6 required
6	M4773P3	Cam and Hinge Kit	Black; G, K and N models
	M4772P3	Cam and Hinge Kit	M models
7	70409801	Screw	Black; G, K and N models; 2 required
	70033502	Screw	M models; 2 required
8	44035002	Door Hinge Lug Assembly	Black; G, K and N models
	44035001	Door Hinge Lug Assembly	M models
9	70058501	Pop Rivet	2 required

* Add Letter To Designate Color. Q - Bisque W - White

Cylinder and Trunnion Components

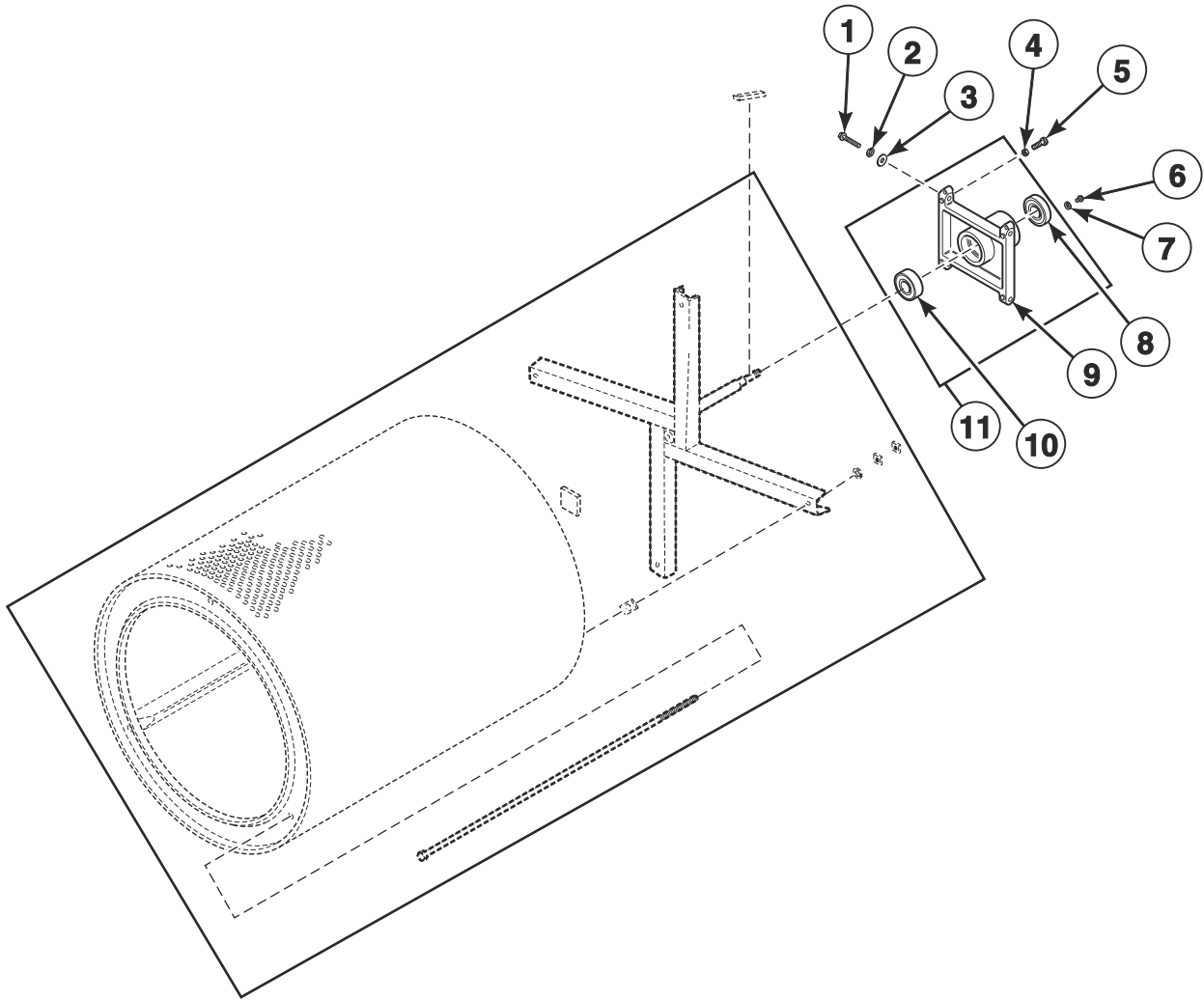


TMB2123P_70595001

Cylinder and Trunnion Components

REF	PART NO.	DESCRIPTION	COMMENTS
1	44057201P	Cylinder Kit	Galvanized; M and N models; Non-moisture sensing
	44198301P	Cylinder Assembly	Galvanized; M and N models; Moisture sensing
	44057301P	Cylinder Kit	Stainless steel; M and N models; Non-moisture sensing
	44198302	Cylinder Assembly	Stainless steel; M and N models; Moisture sensing
	44130702P	Cylinder Assembly	G and K models; Non-moisture sensing
	44198303	Cylinder Assembly	G and K models; Moisture sensing
2	M402144	Felt Pad	
3	44208001	Trunnion Assembly	Spider; Non-moisture sensing
	44207901	Trunnion Assembly	Moisture sensing
4	M400008	Key	Half moon
5	M404993	Nut	
6	M400015	Washer	4 required
7	M401402	Spacer	Adjustment between cylinder and trunnion
8	M404992	Rib Rod	
9	44195701P	Cylinder and Trunnion Assembly	Galvanized; M and N models; Non-moisture sensing
	44195705P	Cylinder and Trunnion Assembly	Galvanized; M and N models; Moisture sensing
	44195702	Cylinder and Trunnion Assembly	Stainless steel; M and N models; Non-moisture sensing
	44195706	Cylinder and Trunnion Assembly	Stainless steel; M and N models; Moisture sensing
	44195703	Cylinder and Trunnion Assembly	G and K models; Non-moisture sensing
	44195707	Cylinder and Trunnion Assembly	G and K models; Moisture sensing
10	44191202	Cylinder Rib Assembly	Moisture sensing

Bearing Components

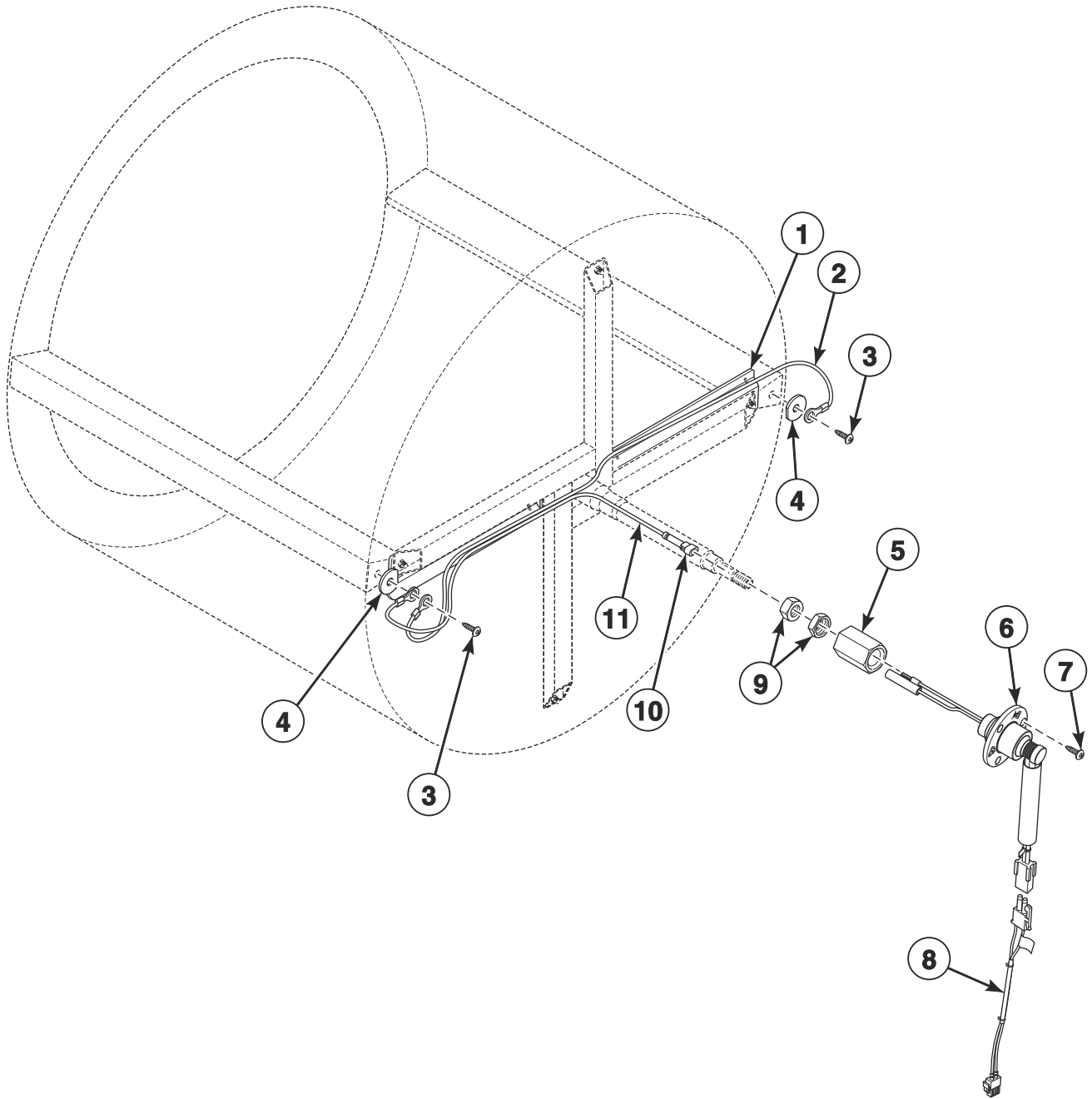


TMB2123PA_70595001

Bearing Components

REF	PART NO.	DESCRIPTION	COMMENTS
	M4640P3	Trunnion and Bearing Assembly	Non-moisture sensing
	44336301	Trunnion and Bearing Assembly	Moisture sensing
	M4644P3	Housing and Trunnion Assembly	Includes bearing; Non-moisture sensing
	44336302	Housing and Trunnion Assembly	Moisture sensing
1	M400063	Screw	4 required
2	M400015	Washer	4 required
3	70261401	Washer	4 required
4	M400026	Nut	4 required
5	M400650	Bolt	2 required
6	70187201	Screw	4 required
7	20103	Washer	4 required
8	F100136P	Bearing	
9	M413826	Trunnion Housing	
10	44041901P	Ball Bearing	
11	M413832	Trunnion Housing Assembly	Includes bearing

Moisture Sensing Components

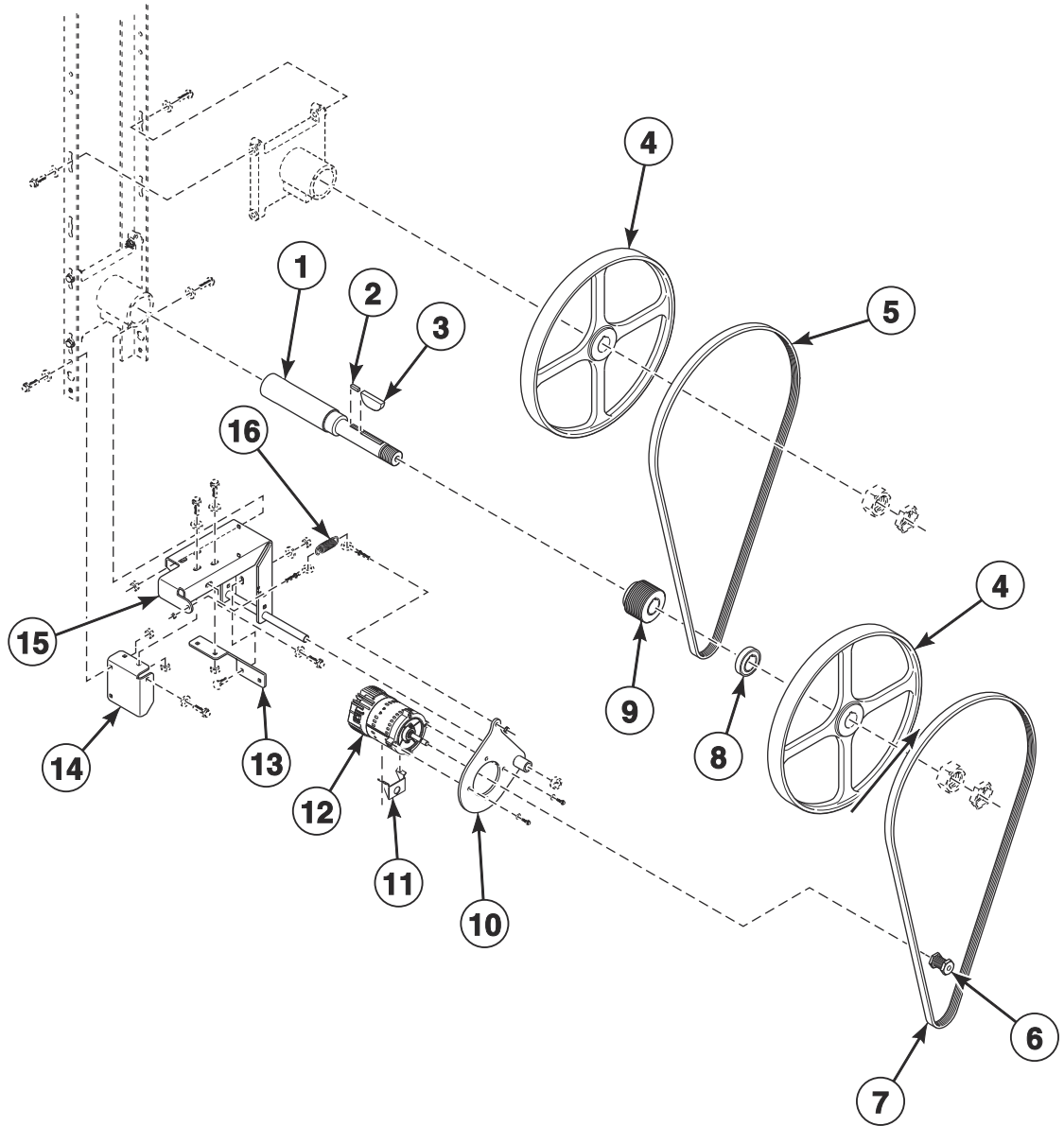


TMB3544P_70595001

Moisture Sensing Components

REF	PART NO.	DESCRIPTION	COMMENTS
	44344700	Moisture Sensing Harness Kit	
	55881	Harness Strap	Use with item 1
1	44239101	Wireway Channel	
2	44208601	Rib Wire	
3	44338901	Screw	
4	44238902	Washer	
5	44224401	Slip Ring Holder	
6	44222701	Slip Ring Assembly	
7	70442101	Screw	
8	44333902	Moisture Sensor Harness	Goes from item 6 to main harness
9	M400035	Nut	
10	26302	1 Circuit Plug	
11	44208701	Shaft Wire	

Drive Motor Components

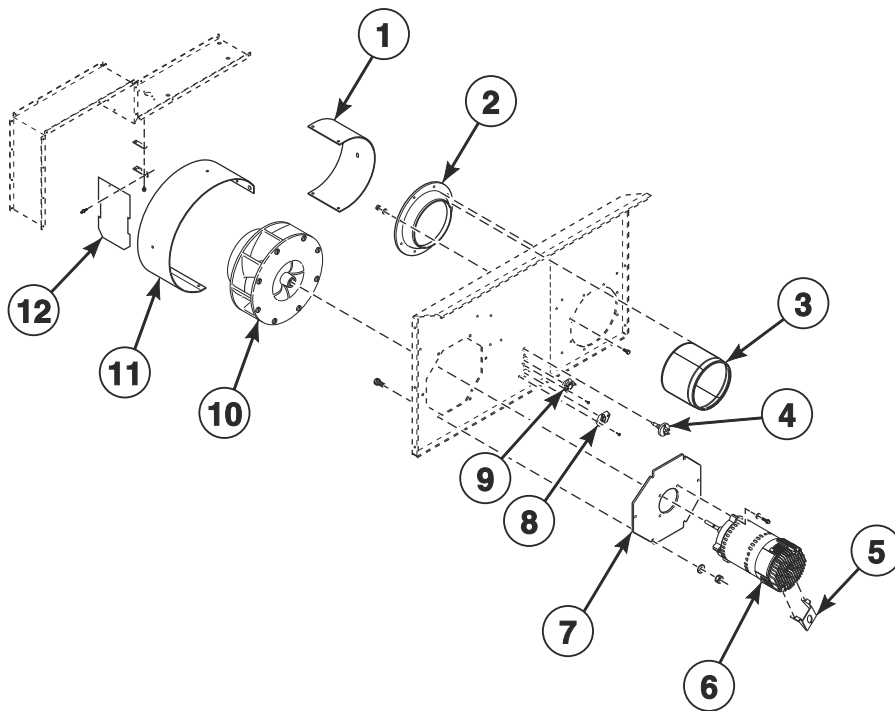


TMB3557P_70595001

Drive Motor Components

REF	PART NO.	DESCRIPTION	COMMENTS
	44333202	Nut	Use with motor pulley
	44335304	Inverter Motor Harness	Cylinder
	44335305	Inverter Motor Harness	Fan
1	44303102	Idler Shaft	
2	44309301	Key	
3	M400008	Key	
4	44289502	Pulley	
5	44333301	V-Belt	Upper
6	70559102	Motor Pulley	
7	44309402	V-Belt	Lower
8	44306801	Idler Spacer	
9	44270201	Micro V Pulley	
10	44311501	Motor Pivot Plate Weldment	
11	44317901	Motor Conduit Bracket	
12	44259501P	Drive Motor	.50 HP; 120, 230 Volt/1 Phase
	44259601	Drive Motor	.50 HP; 460 Volt/3 Phase
13	44325701	Motor Pivot Gusset Bracket	
14	44325801	Motor Pivot Support Bracket	
15	44327001	Motor Pivot Bracket Weldment	
16	F8440701	Extension Spring	

Blower and Exhaust Components

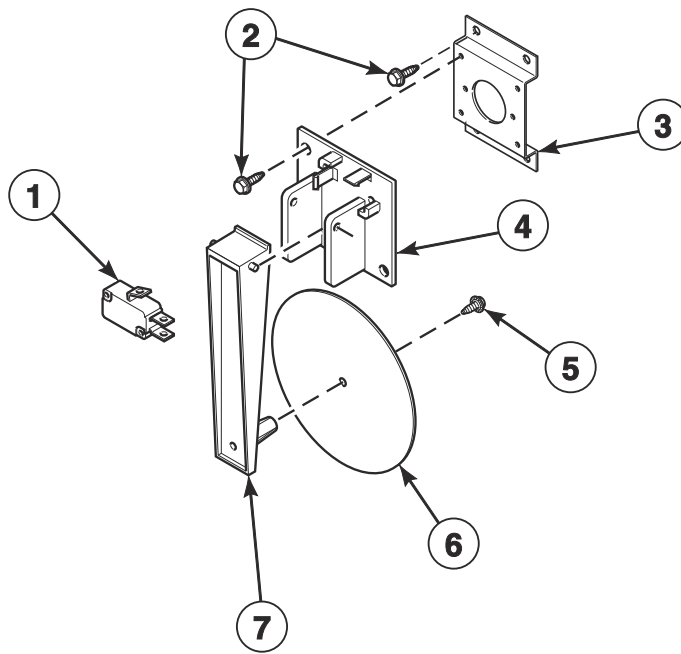


TMB3492P_70595001

Blower and Exhaust Components

REF	PART NO.	DESCRIPTION	COMMENTS
1	44308401	Air Exhaust Deflector	
2	70303101	Blower Inlet Cone	
3	44327901	Exhaust Pipe Assembly	
4	M414704	Thermistor	
5	44317901	Motor Conduit Bracket	
6	70478701	Fan Motor	.50 HP; 120, 230 Volt/1 Phase
	70484901	Fan Motor	.50 HP; 460 Volt/3 Phase
7	70380801	Blower Motor Mounting Plate	
8	70530905	Limit Thermostat	
9	44328003	Limit Thermostat	
10	70302201P	Blower Assembly	
11	44303801	Blower Housing Scroll	
12	44280301	Damper Assembly	

Airflow Switch Assembly

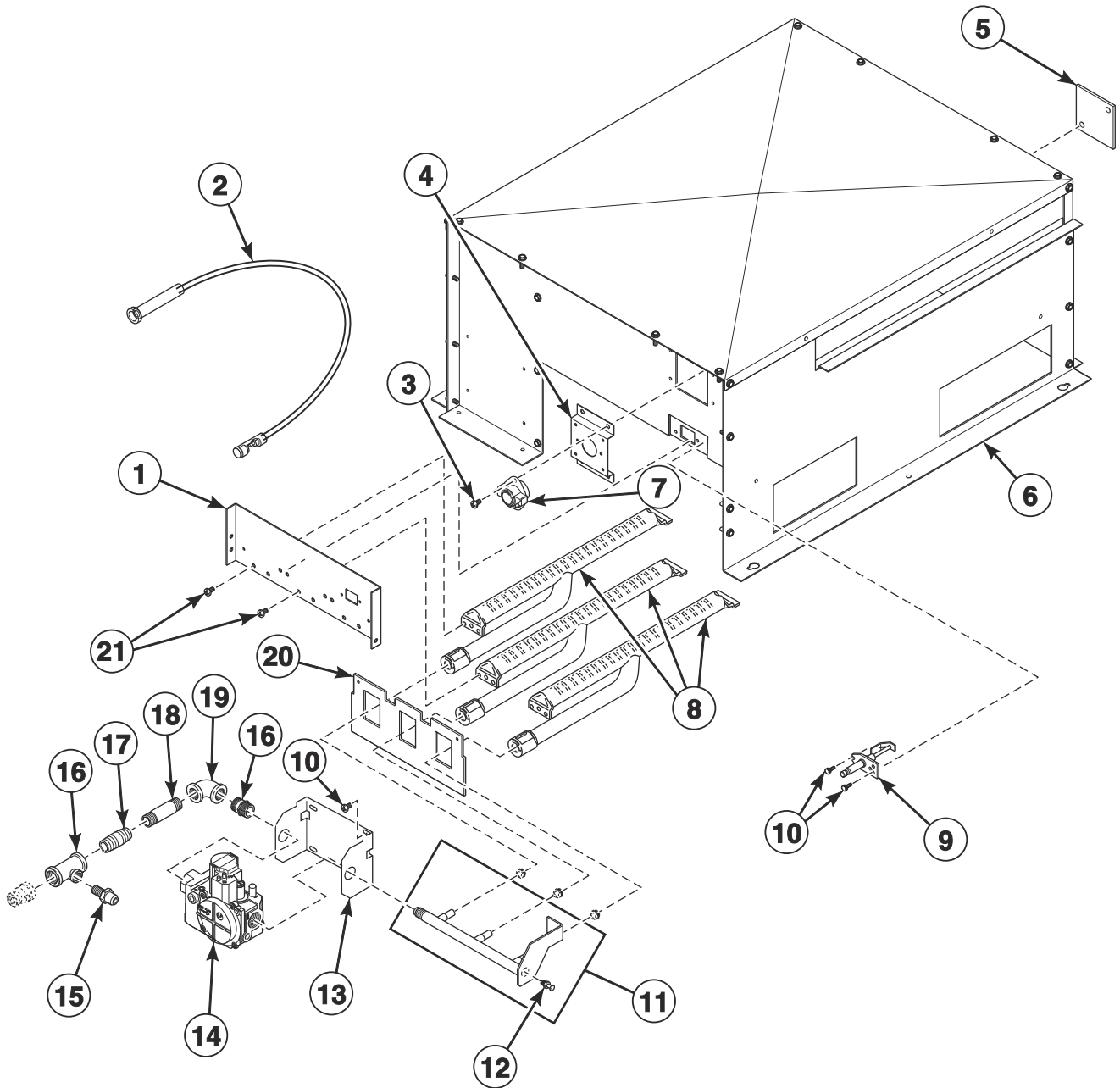


TMB3636P_70595001

Airflow Switch Assembly

REF	PART NO.	DESCRIPTION	COMMENTS
	70429602	Airflow Switch Assembly	Includes items 1 and 4-7
1	70411901	Switch	
2	430497	Screw	6 required
3	70356301	Switch Bracket	
4	70319602	Airflow Switch and Arm Bracket	
5	430757	Screw	
6	70319202	Airflow Switch Vane	
7	70319401	Airflow Switch Arm	

Gas Heater Components

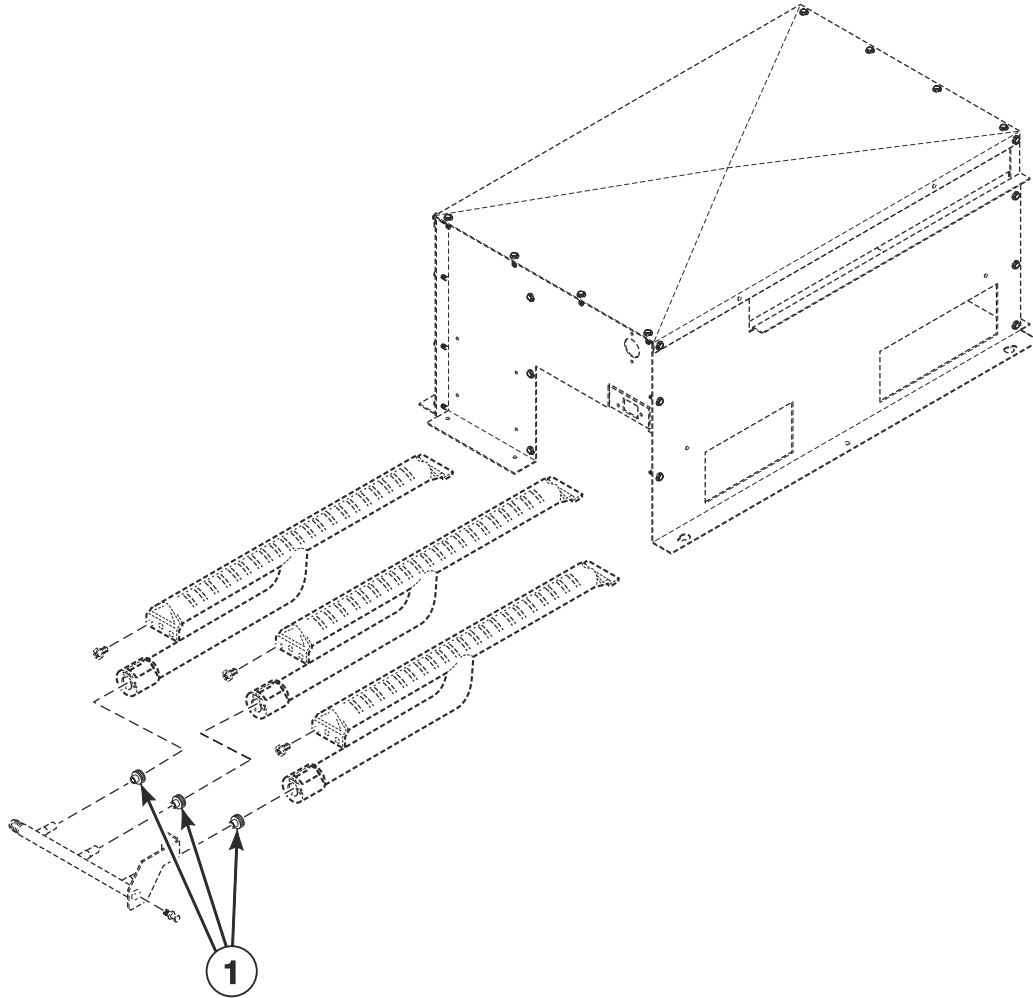


TMB3599P_70595001

Gas Heater Components

REF	PART NO.	DESCRIPTION	COMMENTS
	70539501	Notice Label	Australian models; Natural Gas (N.G.)
	70544901	Notice Label	Australian models; Liquid Petroleum Gas (L.P.)
	D503887	Label	Australian models; Gas
	44178801	Adapter	CE and Australian models; Used to convert from standard to metric thread
	44328802	L.P. Conversion Kit	CSA and AGA models; 0-2000 feet
	44330302	L.P. Conversion Kit	IEC models; 0-2000 feet
	70564304	Stove Limit Harness	
	44273502	Gas Valve Harness	Double; CE models
	44273501	Gas Valve Harness	Single
	44355101P	Direct Air Kit	
	70500401	Heat Exchanger	
1	44110301	Burner Support	
2	44239705	High Voltage Suppression Cable	
3	M402797	Screw	2 required
4	70356301	Switch Bracket	
5	70159601	Igniter Cover	
6	44135605	Gas Stove Assembly	Includes item 8
7	44328008	Limit Thermostat	
8	M410541P	Burner Assembly	3 required
9	44328701P	Spark Electrode	
10	51782	Screw	2 required
11	44263102	Spud Holder Weldment	
12	70167601	Plug	
13	44175703	Gas Valve Bracket	
14	44154501P	Gas Valve	CSA models; N.G.
	44154502P	Gas Valve	CSA models; L.P.
	44298501	Gas Valve	Australian models; N.G.
	44298502	Gas Valve	Australian models; L.P.
	44178301P	Gas Valve	CE models; N.G.
	44178302P	Gas Valve	CE models; L.P.
	44154505	Gas Valve	All other models; N.G.
	44154506	Gas Valve	All other models; L.P.
15	44231601	Pressure Fitting	CE and Australian models
16	44231901	Pipe Tee	CE and Australian models
17	431486	Pipe Nipple	
18	70263801	Pipe Nipple	CE and Australian models
	70210201	Pipe Nipple	All other models
19	70079601	Elbow	
20	44135201	Rear Access Plate	
21	70240301	Screw	6 required

Burner Orifices



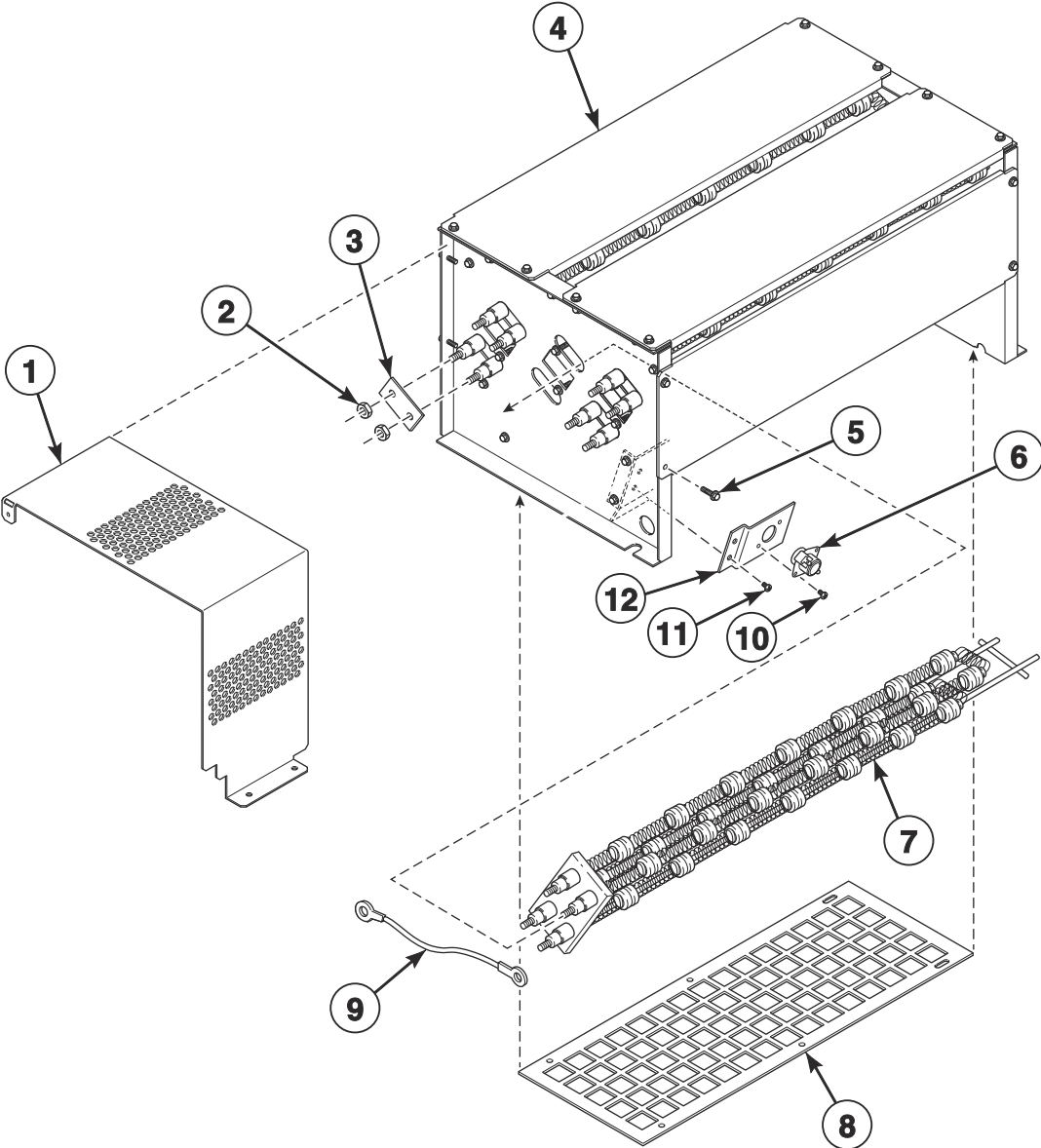
TMB3600P_70595001

Burner Orifices

REF	PART NO.	DESCRIPTION	COMMENTS
1	M401014	Burner Orifice	Classic models; Natural Gas (N.G.); Drill no. 28 (3.57 mm); 0-2,000 feet
	44254001	Burner Orifice	Classic models; N.G.; 3.40 mm; 2,001-4,000 feet
	44253801	Burner Orifice	Classic models; N.G.; 3.30 mm; 4,001-6,000 feet
	M402489	Burner Orifice	Classic models; N.G.; Drill no. 1/8 (3.18 mm); 6,001-8,000 feet
	M401017	Burner Orifice	Classic models; N.G.; Drill no. 31 (3.05 mm); 8,001-10,000 feet
	M401011	Burner Orifice	Classic models with 2nd digit A, G, H, J, K, L and T; Liquid Petroleum Gas (L.P.); Drill no. 44 (2.18 mm); 0-2,000 feet
	M401027	Burner Orifice	Classic models with 2nd digit A, G, H, J, K, L and T; L.P.; Drill no. 45 (2.08 mm); 2,001-4,000 feet
	M400999	Burner Orifice	Classic models with 2nd digit A, G, H, J, K, L and T; L.P.; Drill no. 47 (1.99 mm); 4,001-6,000 feet
	M401001	Burner Orifice	Classic models with 2nd digit A, G, H, J, K, L and T; L.P.; Drill no. 48 (1.93 mm); 6,001-8,000 feet
	M401018	Burner Orifice	Classic models with 2nd digit A, G, H, J, K, L and T; L.P.; Drill no. 49 (1.85 mm); 8,001-10,000 feet
	M401016	Burner Orifice	CE classic models; L.P.; Drill no. 50 (1.78 mm); 0-2,000 feet
	M401019	Burner Orifice	CE classic models; L.P.; Drill no. 51 (1.70 mm); 2,001-4,000 feet
	M401025	Burner Orifice	CE classic models; L.P.; Drill no. 52 (1.61 mm); 4,001-6,000 feet
	N/A	Burner Orifice	CE classic models; L.P.; Drill no. 1/16 (1.59 mm); 6,001-8,000 feet
	N/A	Burner Orifice	CE classic models; L.P.; Drill no. 53 (1.51); 8,001-10,000 feet
	M401003	Burner Orifice	Classic J market models; L.P.; Drill no. 46 (2.06 mm); 0-2,000 feet
	M402980	Burner Orifice	Eco models; N.G.; Drill no. 24 (3.86 mm); 0-2,000 feet
	M400998	Burner Orifice	Eco models; N.G.; Drill no. 27 (3.66 mm); 2,001-4,000 feet
	M401014	Burner Orifice	Eco models; N.G.; Drill no. 28 (3.57 mm); 4,001-6,000 feet
	M400997	Burner Orifice	Eco models; N.G.; Drill no. 29 (3.45 mm); 6,001-8,000 feet
	44253801	Burner Orifice	Eco models; N.G.; 3.30 mm; 8,001-10,000 feet

N/A = Part no longer available

Electric Heater Components

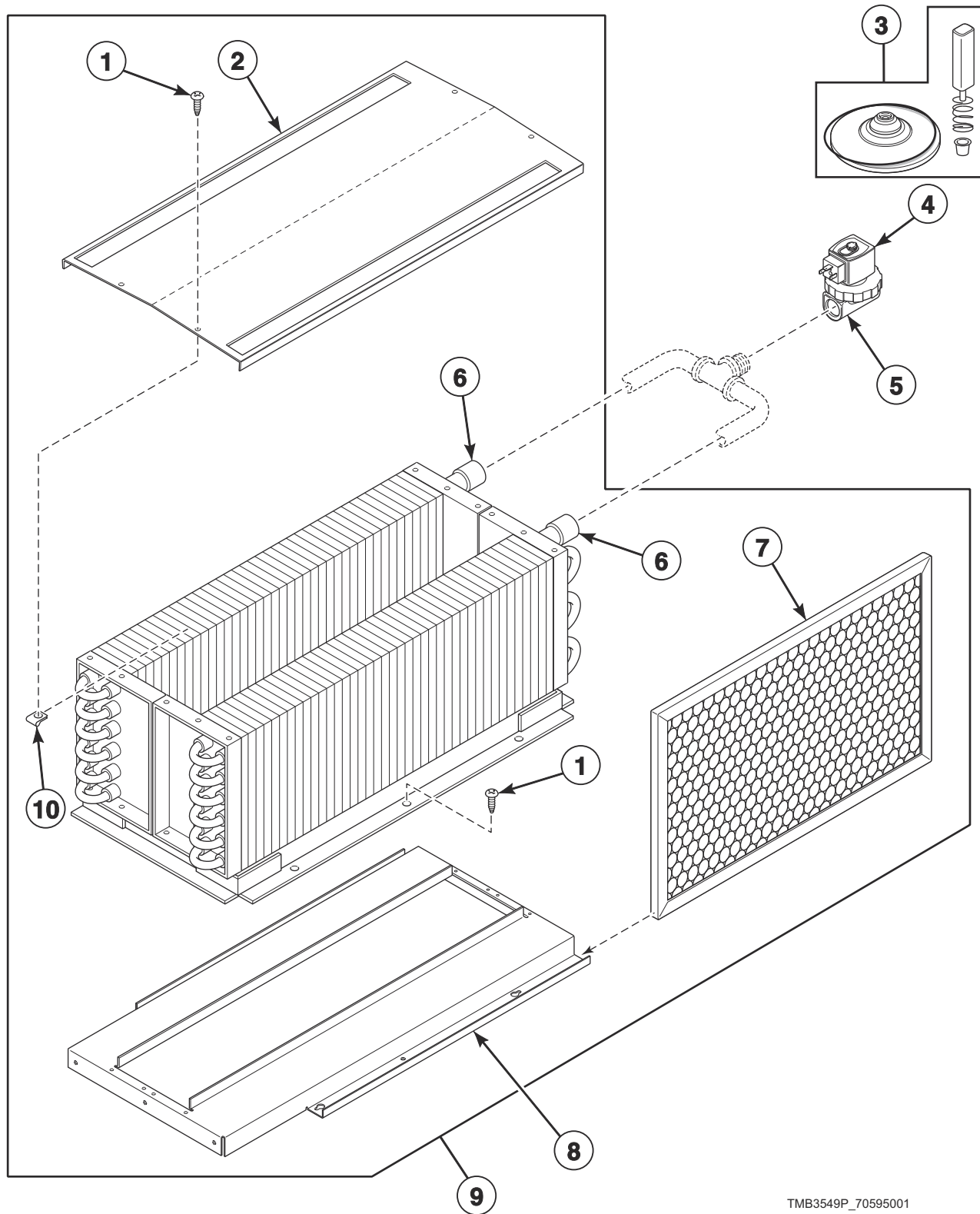


TMB3587P_70595001

Electric Heater Components

REF	PART NO.	DESCRIPTION	COMMENTS
	44355101P	Direct Air Kit	
	70500401	Heat Exchanger	
	70564304	Stove Limit Harness	
	44281706	Harness	200-240 Volt; Contactor to element
	44281707	Harness	Contactor element
1	44327302	Electric Wrap	Classic models
	44327301	Electric Wrap	Eco and medium electric models
2	70054	Nut	
3	M400869	Jumper Strip	380-480 Volt 3 required; 200-240 Volt 6 required
4	44242101	Electric Stove Assembly	Classic models
	44252501	Electric Stove Assembly	Eco and medium electric models
5	70240301	Screw	
6	44328006	Limit Thermostat	
7	44232801	Heater Element	Classic models; 3 required; 12 kW; 208 Volt heater element for 200-208 Volt
	44232802	Heater Element	Classic models; 3 required; 12 kW; 220 Volt heater element for 380 and 440 Volt
	44232803	Heater Element	Classic models; 3 required; 12 kW; 240 Volt heater element for 230-240 Volt and 400-415 and 460-480 Volt
	44258701	Heater Element	Eco models; 3 required; 7 kW; 220 Volt heater element for 380 and 440 Volt
	M412955P	Heater Element	Eco models; 3 required; 7 kW; 240 Volt heater element for 230-240, 400-415 or 460-480 Volt
	44263201P	Heater Element	Eco models; 3 required; 7 kW; 208 Volt heater element for 200-208 Volt
	M410939P	Heater Element	Medium electric models; 3 required; 10 kW; 240 Volt heater element for 230-240 Volt, 400-415 and 460-480 Volt
	M410940P	Heater Element	Medium electric models; 3 required; 10 kW; 208 Volt heater element for 200-208 Volt
	M410941P	Heater Element	Medium electric models; 3 required; 10 kW; 220 Volt heater element for 380 and 440 Volt
8	44308802	Heating Element Screen	
9	44281708	Jumper Harness	3 inch; 380-480 Volt 4 required; 440-480 Volt 1 required
	44281709	Jumper Harness	9 inch; 440-480 Volt 1 required
10	33562	Screw	
11	430497	Screw	
12	44226101	Limit Offset Bracket	

Steam Heater and Valve

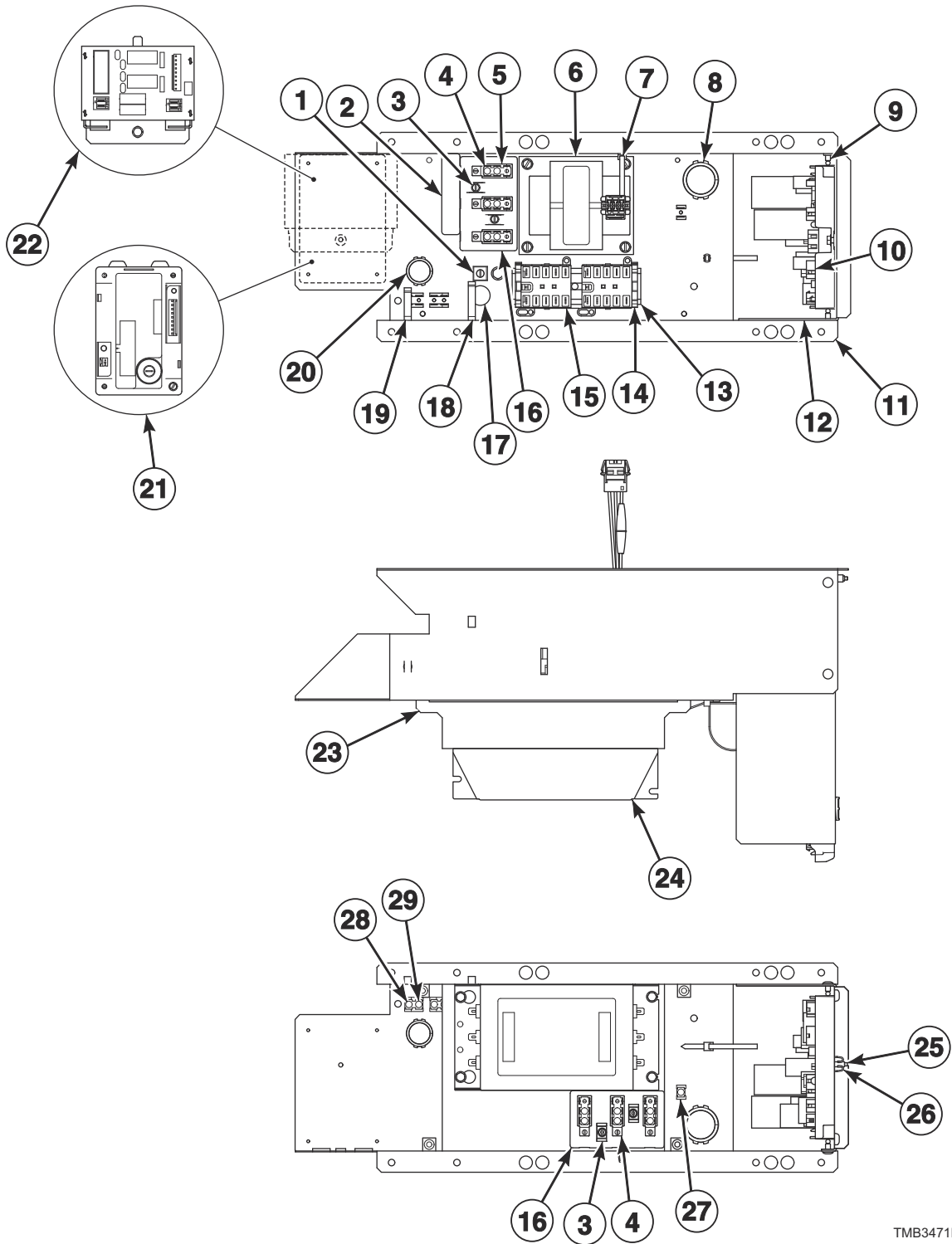


TMB3549P_70595001

Steam Heater and Valve

REF	PART NO.	DESCRIPTION	COMMENTS
	70564302	Stove Limit Harness	
	F8520703	Steam Valve Harness	
	44314701	Steam Adaptor Kit	IEC models
	44304801	Strain Relief	
	F8382301	DIN Valve Adapter Kit	Use with item 5
1	23008	Screw	4 required
2	M400828	Low Pressure Steam Cover	
3	F8379502	Valve Rebuild Kit	
4	F8514701	Coil	120 Volt
	F8514601P	Coil	240 Volt
5	F8322904P	Steam Valve	120 Volt
	F8322906P	Valve	240 Volt
6	M400637P	Steam Coil	2 required
7	44172001	Filter	Aluminum; 2 required
	44104201	Air Filter	Fiberglass; 2 required
8	44007501	Steam Stand Box	
9	44020401P	Steam Heater Assembly	
10	36020	Nut	4 required

Control Tray

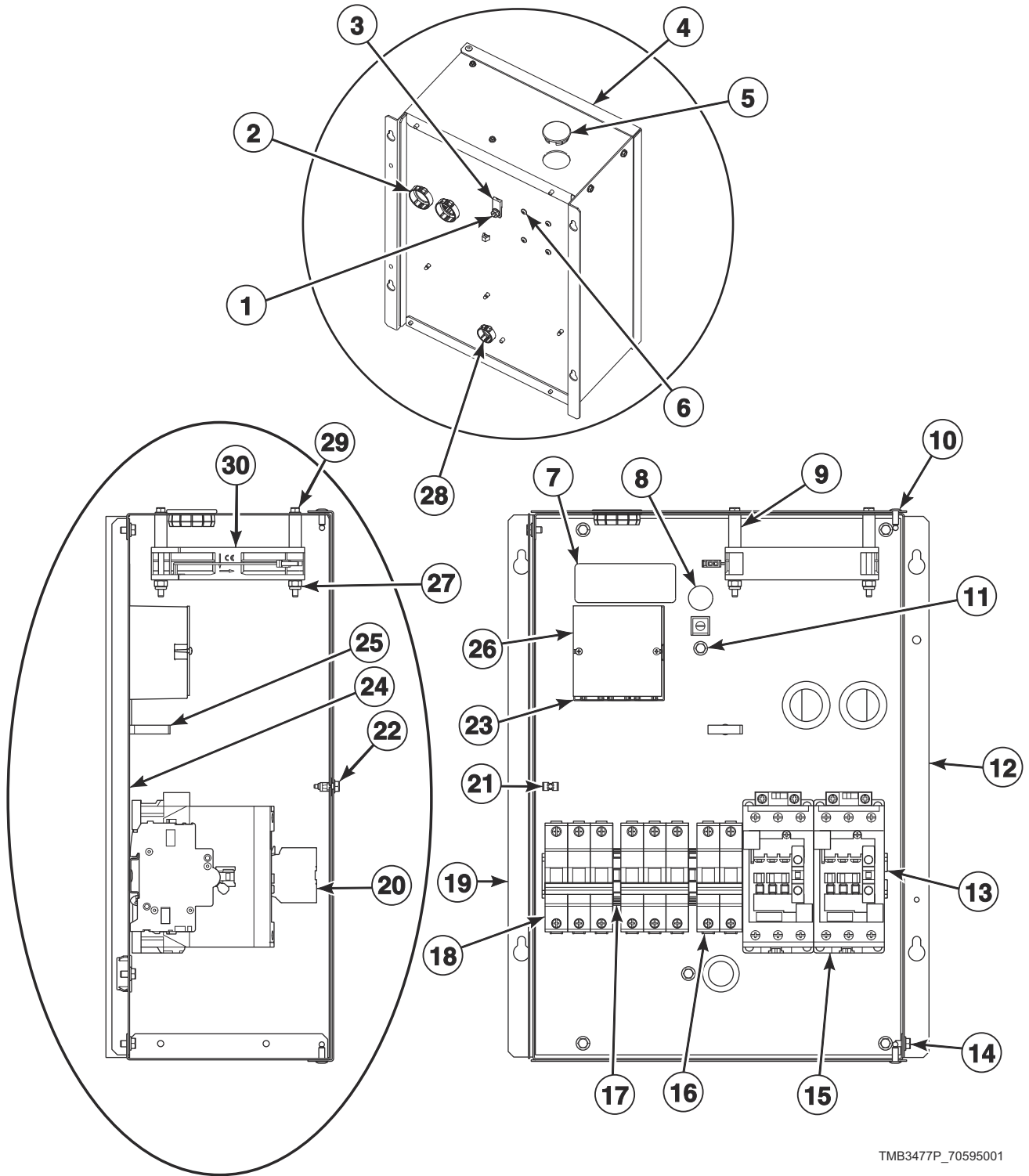


TMB3471P_70595001

Control Tray

REF	PART NO.	DESCRIPTION	COMMENTS
	685837	Screw	Use with item 1
	44088001	Nut	Use with item 1
	70559301	Conversion Kit	X to B voltage
1	M411283	Ground Lug Connector	
2	44286803	Label	L1, L2, L3
	44286801	Label	L1, N
	44286802	Wire Label	L1 L2, L1 N
	44286804	Wire Label	L1 L2, L1 N, L1 L2 L3
3	51783	Screw	
4	430642	Terminal Block	
5	70333001	Terminal Block Shield	
6	F8491101	Transformer	380-480 Volt
7	70335601	Cable Tie	
8	70346501	Bushing	
9	70058501	Pop Rivet	
10	70479201	I/O Control Assembly	
11	70492401	Control Tray	
12	70494901	Control Board Control Tray	
13	M412690	DIN Rail	
14	F8449801	End Stop	
15	70482601	Contactors	240 Volt or less: 1 required; 380 Volt or higher: 2 required
16	M413862	Insulator	
17	D516100	Label	
18	F8449501	Wire Clip	
19	F8449502	Wire Clip	
20	70178701	Snap Bushing	
21	70482002	Ignition Control	IEC gas models
	70482001	Ignition Control	CSA gas models
22	70501801	Steam Control Assembly	Steam models
23	70533101	Filter Bracket	
24	F8591601	EMI Filter	IEC models; 100-200 and 200-240 Volt/1 Phase
	F8637501	EMI Filter	IEC models; 380-480 Volt
25	F8206901	Screw	
26	70030501	Expansion Clip	
27	00621SG	Male Tab Terminal	
28	M400003	Pop Rivet	
29	00622SG	Terminal	

Accessory Box - Electric 200-240 Volt Models

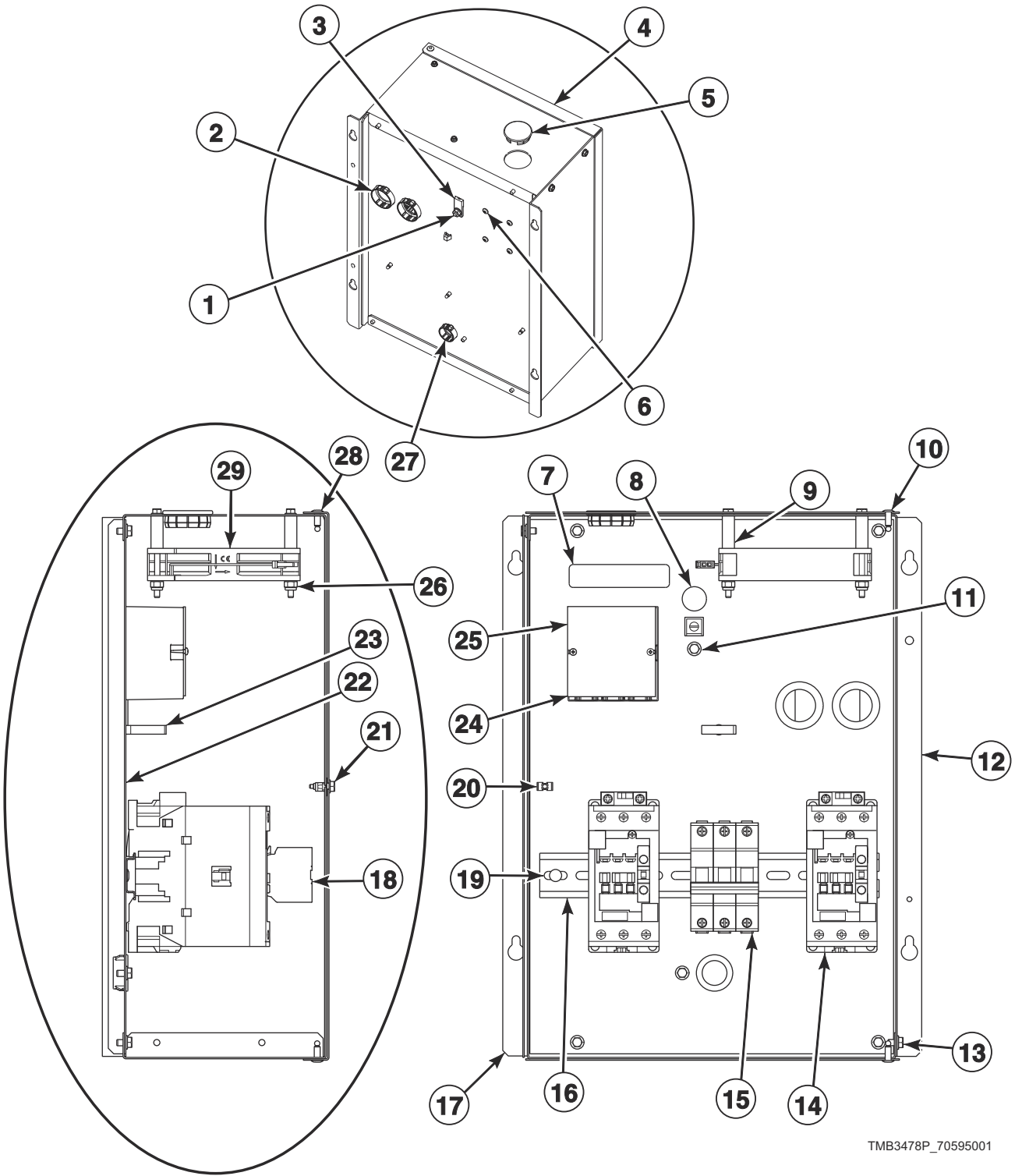


TMB3477P_70595001

Accessory Box - Electric 200-240 Volt Models

REF	PART NO.	DESCRIPTION	COMMENTS
	44309003	Harness	CSA models; Power distribution block to control circuit breaker
	44309013	Harness	IEC models; Power distribution block to control circuit breaker
	44281707	Harness	Contactator to element
	44281706	Harness	Contactator to element
	44281703	Harness	Power distribution block to element circuit breaker
	44281701	Harness	Power distribution block to element circuit breaker
1	44088001	Nut	2 required
2	M402542	Snap Bushing	
3	M411283	Ground Lug Connector	
4	44134004	Contactator Box Cover	
5	70180001	Plug	
6	39733	Screw	
7	44286803	Label	3 Phase; L1, L2, L3
8	D516100	Label	
9	44328601	Sleeve	2 required
10	70058502	Pop Rivet	
11	685837	Screw	
12	44292501	Contactator Box Side	Top
13	44229701	DIN Rail	
	70058501	Pop Rivet	
14	51780	Screw	
15	70482801	Contactator	2 required
16	70488102	Circuit Breaker	25 amp
17	F8449801	End Stop	2 required
18	70488104	Circuit Breaker	2 required; 50 amp
19	44292401	Contactator Box Side	Bottom
20	44313201	Auxiliary Contact Block	
21	70030501	Expansion Clip	
22	F8206901	Screw	
23	M413865	Power Distribution Block	
24	44292601	Contactator Box Base Plate	
25	F8449502	Wire Clip	
26	44014901P	Power Distribution Block Cover	
27	F430232	Nut	
28	F140938	Snap Bushing	
29	70546902	Screw	
30	F8504301	Fan	

Accessory Box - Electric 380-480 Volt Models



TMB3478P_70595001

Accessory Box - Electric 380-480 Volt Models

REF	PART NO.	DESCRIPTION	COMMENTS
	44309004	Harness	CSA models; Power distribution block to control circuit breaker
	44309014	Harness	IEC models; Power distribution block to control circuit breaker
1	44088001	Nut	
2	M402542	Snap Bushing	2 required
3	M411283	Ground Lug Connector	
4	44134004	Contactorm Box Cover	
5	70180001	Plug	
6	39733	Screw	
7	44286803	Label	
8	D516100	Label	
9	44328601	Sleeve	2 required
10	70058502	Pop Rivet	
11	685837	Screw	
12	44292501	Contactorm Box Side	Top
13	51780	Screw	
14	70482801	Contactorm	2 required
15	70488101	Circuit Breaker	
16	44229701	DIN Rail	
17	44292401	Contactorm Box Side	Bottom
18	44313201	Auxiliary Contact Block	2 required
19	70058501	Pop Rivet	
20	70030501	Expansion Clip	
21	F8206901	Screw	
22	44292601	Contactorm Box Base Plate	
23	F8449502	Wire Clip	
24	M413865	Power Distribution Block	
25	44014901P	Power Distribution Block Cover	
26	F430232	Nut	
27	F140938	Snap Bushing	
28	70546902	Screw	
29	F8504301	Fan	

Harnesses

PART NO.	DESCRIPTION	COMMENTS
44316007	Harness	1 Phase
44316008	Harness	3 Phase
44280007	Configuration Harness	120 Volt; Cylinder
44280006	Configuration Harness	120 Volt; Fan
44334308	Contactora Coil Harness	Electric models
44334303	Control Harness	Electric models; 1 Phase
44334304	Control Harness	Electric models; 3 Phase
44356404	Control Tray Harness Assembly	Electric models
44356408	Control Tray Harness Assembly	Steam models
44356403	Control Tray Harness Assembly	Gas models
44334702	Inverter Contactora Coil Harness	Secondary
44281705	Jumper Harness	
44316001	Harness	1 Phase
44316002	Harness	3 Phase
44280010	Motor Contactora Power Harness	1 Phase; EMI
44280012	Motor Contactora Power Harness	3 Phase; EMI
44280001	Motor Contactora Power Harness	1 Phase
44280003	Motor Contactora Power Harness	3 Phase
44280101	Power Harness	
44272101	Power Harness	

Labels

PART NO.	DESCRIPTION	COMMENTS
44324201	Caution Label	Australian models; Repeat Ignition Reset
44318601	Caution Label	Vent/install
F8614501	Danger Label	Shock; English/French
F8614301	Hot Surface Warning Label	English/French
F8609001	Hot Surface Warning Label	Icon
F8605501	Label	
44318600	Label Kit	Vent/install
F8614500	Label Kit	Shock
F8611600	Warning Label Kit	
44321501	Notice Label	120/240 Volt
70539601	Notice Label	
70534201	Notice Label	
F8609501	Notice Label	
D516073	Notice Label	Read instructions; Icon
70538401	Pinch Warning Label	English/French
F8615701	Pinch Warning Label	Icon
70536401	Warning Label	Lint; Australian models
44324101	Warning Label	Fire; Australian models
44321601	Warning Label	Risk of fire; Icon
44324001	Warning Label	Shock/pinch

Parts Index

A

Access Panel Trim	
70399402	35
Adapter	
44178801	61
Air Exhaust Deflector	
44308401	57
Air Filter	
44104201	67
Airflow Switch and Arm Bracket	
70319602	59
Airflow Switch Arm	
70319401	59
Airflow Switch Assembly	
70429602	59
Airflow Switch Vane	
70319202	59
Auxiliary Contact Block	
44313201	71, 73

B

Baffle	
44299001	41
44299801	41
44299802	41
Ball Bearing	
44041901P	51
Bearing	
F100136P	51
Belt Guard	
44298401	43
44314301	43
44332201	43
Belt Guard Side Panel	
44298301	43
44301101	43
Blind Rivet	
F8245101	37
Blower Assembly	
70302201P	57
Blower Housing Scroll	
44303801	57
Blower Inlet Cone	
70303101	57
Blower Motor Mounting Plate	
70380801	57
Bolt	
M400650	51
Bottom Pan	
44298701	41
Burner Assembly	
M410541P	61
Burner Orifice	
M400997	63
M400998	63
M400999	63
M401001	63

M401003	63
M401011	63
M401014	63
M401016	63
M401017	63
M401018	63
M401019	63
M401025	63
M401027	63
M402489	63
M402980	63
44253801	63
44254001	63
Burner Support	
44110301	61
Bushing	
70346501	69
Bypass Harness	
44334103	31, 41

C

Cable Tie	
70335601	69
Cam and Hinge Kit	
M4772P3	47
M4773P3	47
Caution Label	
44318601	75
44324201	75
Center Pan	
44298601	41
Central Pay Harness	
44306001	19
Circuit Breaker	
70488101	73
70488102	71
70488105	71
Circuit Plug, 1	
26302	53
Coil	
F8514601P	67
F8514701	67
Coin Box	
F160673P	41
Coin Chute Assembly	
70296401	41
Coin Drop	
38963P	25
39748	25
70441601	25
70441603	25
Coin Drop Assembly	
201141	25
210195	25
210196	25
38462P	25
38463	25
38467	25
38519	25
70281102	25

N/A items do not appear in index.

70283102	25	44334304	74
70441602	25	44334404	15
70447301	25	Control Panel	
70471601	25	44000122*	33
70482401	25	44000125	33
70506901	25	44040005*	33
Coin Drop Kit		44040013	33
CK077	25	Control Plate	
CK122	27	70497101	17, 23
Coin Identification Paper		Control Plate and Studs Assembly	
38464P	25	70496601	19, 21
38475	25	Control Plate Assembly	
38725	25	70497201	19, 21
Coin Meter		Control Tray	
F0160737-00	25	70492401	69
Coin Vault and Emergency Stop Mount Assembly		Control Tray Harness Assembly	
70529502	41	44356403	74
Coin Vault Assembly		44356404	74
70529501	41	44356408	74
Coin Vault Switch Harness		Control Trim	
44334101	31, 41	44016401	31
Cold Weather Kit		Conversion Kit	
44340301	15	70559301	69
Configuration Harness		Cylinder and Trunnion Assembly	
44280006	74	44195701P	49
44280007	74	44195702	49
Contact Base		44195703	49
F8538101	29	44195705P	49
Contact Switch		44195706	49
F8069501	29	44195707	49
Contactactor		Cylinder Assembly	
70482601	69	44130702P	49
70482801	71, 73	44198301P	49
Contactactor Box Base Plate		44198302	49
44292601	71, 73	44198303	49
Contactactor Box Cover		Cylinder Kit	
44134004	71, 73	44057201P	49
Contactactor Box Side		44057301P	49
44292401	71, 73	Cylinder Rib Assembly	
44292501	71, 73	44191202	49
Contactactor Coil Harness			
44334308	74		
Control			
70511601	15		
Control Assembly			
70478801	19, 21		
70478802	23		
70479801	17		
Control Board Control Tray			
70494901	69		
Control Box Assembly			
44180101	13		
Control Box Base			
44065301	15		
Control Box Cover			
44065201	15		
Control Box Housing			
44306701	15		
Control Box Top			
44307101	15		
Control Door Latch			
431318	41		
Control Harness			
44334303	74		

D

Damper Assembly	
44280301	57
Danger Label	
F8614501	75
DIN Rail	
M412690	69
44229701	71, 73
DIN Valve Adapter Kit	
F8382301	67
Direct Air Kit	
44355101P	61, 65
Door Assembly	
44028906	45
44028907	45
44028908	45
70407402	45
Door Glass	
44008401P	45
Door Glass Installation Tool	
M4221P4	45

N/A items do not appear in index.

Door Handle	
44007901	45
Door Hinge Assembly	
44075203*	47
44075208B	47
44075211	47
Door Hinge Lug Assembly	
44035001	47
44035002	47
Door Latch	
M401223	31
Door Ring Assembly	
44326001	45
44326003B	45
44326004B	45
44326005	45
Door Ring Gasket	
70296802	45
Door Seal Kit	
70211902P	45
Door Switch Actuator Kit	
70215001P	47
Door Switch Harness	
44271502	31
Drive Motor	
44259501P	55
44259601	55
Drive Rivet	
M400713	15

E

Elbow	
70079601	61
Electric Stove Assembly	
44242101	65
44252501	65
Electric Wrap	
44327301	65
44327302	65
Electronic Coin Drop Assembly	
70294107	25
70513302	25
70513303	25
70513304	25
70513306	25
70513308	25
70513309	25
70513310	25
70513311	25
70513312	25
70513313	25
70513314	25
70513315	25
70513316	25
Electronic Coin Drop Kit	
CK099	27
CK100	27
CK101	27
CK108	27
CK109	27
CK110	27
CK113	27
CK115	27
CK116	27

CK117	27
CK118	27
CK119	27
CK120	27
CK121	27
Emergency Stop Button Kit	
70580301	29
Emergency Stop Bypass Harness	
F8519403	29
Emergency Stop Harness	
44272401	29
Emergency Stop Interconnect Harness	
44272106	29
Emergency Stop Label	
44012901	29
44012903	29
Emergency Stop Mounting Bracket	
70550401	29
Emergency Stop Pushbutton	
F200233500	29
EMI Filter	
F8591601	69
F8637501	69
End Stop	
F8449801	69, 71
Exhaust Pipe Assembly	
44327901	57
Expansion Clip	
70030501	19, 21, 31, 69, 71, 73
Extension Spring	
F8440701	55

F

Fan	
F8504301	71, 73
Fan Motor	
70478701	57
70484901	57
Felt Pad	
M402144	49
Fill Hose	
202799	15
Filter	
44172001	67
Filter Bracket	
70533101	69
Filter Mounting Plate	
70551701	15
Front Panel	
44052503*	35
44052522	35
44052525*	35
44052527	35
44052528	35
44052529	35

G

Gas Stove Assembly	
44135605	61

N/A items do not appear in index.

Gas Valve	
44154501P	61
44154502P	61
44154505	61
44154506	61
44178301P	61
44178302P	61
44298501	61
Gas Valve Bracket	
44175703	61
Gas Valve Harness	
44273501	61
44273502	61
Ground Lug Connector	
M411283	69, 71, 73
Guard Panel	
44269201	43
44269202	43
44332301	43

H

Handle and Caps Assembly	
70154405	37
Handle Bar	
70399501B	45
Handle Bumper	
70407202	37
Harness	
44281701	71
44281703	71
44281706	65, 71
44281707	71
44309003	71
44309004	73
44309013	71
44309014	73
44316002	74
44316007	74
44316008	74
Harness Adapter Plate	
70523301	15
Harness Mounting Plate	
70307007	13, 19, 21, 23
Harness Strap	
55881	53
Heat Exchanger	
70500401	61, 65
Heater Element	
M410939P	65
M410940P	65
M410941P	65
M412955P	65
44232801	65
44232802	65
44232803	65
44258701	65
44263201P	65
Heating Element Screen	
44308802	65
High Voltage Suppression Cable	
44239705	61
Hold-Down Clip	
35865	39

Hose	
44073304	15
Hose Clamp	
36801	15
Hose Fitting	
44069101	15
Hot Surface Warning Label	
F8609001	75
F8614301	75
Housing and Trunnion Assembly	
M4644P3	51
44336302	51

I

Idler Shaft	
44303102	55
Idler Spacer	
44306801	55
Igniter Cover	
70159601	61
Ignition Control	
70482001	69
70482002	69
Insulation	
44150102	41
44150105	33, 41
Insulator	
M413862	69
Interconnect Harness	
44334401	15
Inverter Contactor Coil Harness	
44334702	74
Inverter Motor Harness	
44335304	55
44335305	55
I/O Control Assembly	
70479201	69

J

Jumper Harness	
44281705	74
44281708	65
44281709	65
Jumper Strip	
M400869	65

K

Key	
M400008	49, 55
44309301	55
70155601	15, 31
70155602	31
Kickplate	
70117607	37

N/A items do not appear in index.

L

Label	
D503887	61
D516100	69, 71, 73
F8605501	75
44286801	69
44286803	69, 71, 73
44318201	15
70414001	45
70537001	35
70537101	35
Label Kit	
F8614500	75
44318200	15
44318600	75
44324500	15
70534400	35
Latch Mounting Bracket	
44003201	41
Light	
801432	15
Limit Offset Bracket	
44226101	65
Limit Thermostat	
44328003	57
44328006	65
44328008	61
70530905	57
Lint Bracket	
44325301	39
Lint Clip Bracket	
44140202	39
Lint Panel	
44293601*	37
44293602	37
44298102	39
44300901	39
Lint Panel Gasket	
70289101P	37
Lint Screen	
44063601	39
Lint Screen Clip	
H96418413	39
Lint Screen Top Rail	
44298901	39
Lock, Key and Nut Kit	
44089301P	15, 31
44089302P	31
Low Pressure Steam Cover	
M400828	67
Lower Rear Panel	
44300001	41
L.P. Conversion Kit	
44328802	61
44330302	61

M

Machine ID Control Assembly	
203361P	19, 21, 23
Magnet	
70343101	37

Magnet Bracket	
44290501	37
Main Harness	
44316001	74
44334201	13
Male Tab Terminal	
00621SG	69
Micro V Pulley	
44270201	55
Mixing Valve	
70519801	15
Mixing Valve Shield Bracket	
44306601	15
Moisture Sensing Harness Kit	
44344700	53
Moisture Sensor Harness	
44333902	53
Motor Conduit Bracket	
44317901	55, 57
Motor Contactor Power Harness	
44280001	74
44280003	74
44280010	74
44280012	74
Motor Pivot Bracket Weldment	
44327001	55
Motor Pivot Gusset Bracket	
44325701	55
Motor Pivot Plate Weldment	
44311501	55
Motor Pivot Support Bracket	
44325801	55
Motor Pulley	
70559102	55
Mount Bracket	
44308701	15
Mounting Plate	
70208801	19, 21

N

Nameplate Overlay	
44130301	33
44144401	33
70410201	33
70411401	33
Notice Label	
D516073	75
F8609501	75
44321501	75
70534201	75
70539501	61
70539601	75
Notice label	
70544901	61
Nut	
F430232	71, 73
M400026	51
M400035	53
M400977	31
M404993	49
M414215	45
21899	41
23951	37

N/A items do not appear in index.

36020	67
44088001	45, 47, 69, 71, 73
44333202	55
51236	37
70054	65

O

Opto Coupler	
200674P	25
Overlay	
F8205101	19
70516801	17
70516802	17
70544701	19
70544702	19
70544703	19
70547401	19
70547402	19
70547501	17
70547502	17
70547801	23
70547802	23
70548101	19
70557001	19
70557002	19
70572401	23
70572402	23
70572601	21

P

Panel Locator	
56079	31
Panel Lock	
44089304	31
44089305	31
Pinch Warning Label	
F8615701	75
70538401	75
Pipe Bracket	
44327601	43
Pipe Nipple	
431486	61
70210201	61
70263801	61
Pipe Tee	
44231901	61
Plug	
70167601	61
70180001	15, 71, 73
Pop Rivet	
M400003	31, 41, 69
70058501	37, 41, 47, 69, 71, 73
70058502	71, 73
70126301	37
70126401	37
70412601	45
Porcelain Touch-Up Paint	
122P4P	41
370P4P	41
Power Distribution Block	
M413865	71, 73

Power Distribution Block Cover	
44014901P	71, 73
Power Harness	
44272101	74
44280101	74
Power Sensor Harness	
44334402	15
Pressure Fitting	
44231601	61
Pulley	
44289502	55
Pushbutton Switch	
70413301	17, 19, 21, 23, 31
Push-to-Start Switch	
801434W	15

R

Rear Access Plate	
44135201	61
Reed Switch Assembly	
F8066804	37
Rib Rod	
M404992	49
Rib Wire	
44208601	53
Roller Bracket Assembly	
70404001	37
Roller Catch Arm	
70030301	37
Roller Catch Spacer	
70030201	37
Roller Catch Wheel	
70297601	37

S

Screw	
F8206901	69, 71, 73
M400044	47
M400063	51
M400661	45
M402797	61
M411072	19, 21, 31
23008	67
33562	65
39733	71, 73
430497	13, 15, 41, 59, 65
430757	37, 59
431287	41
44338901	53
51780	15, 41, 71, 73
51782	61
51783	69
685837	69, 71, 73
70033502	31, 47
70072801	37
70132301	37
70182601	31
70187201	51
70240301	61, 65
70247701	41
70275801	31

N/A items do not appear in index.

70409801	47
70442101	45, 47, 53
70546902	71, 73
804608	15, 17, 19, 21, 23
Sensor Harness	
44334406	15
Shaft Wire	
44208701	53
Shield	
44326801	15
Shock Warning Label	
F8614201	15
F8614401	15
Side Panel	
44299401*	41
44299501*P	41
Sleeve	
44328601	71, 73
Slip Ring Assembly	
44222701	53
Slip Ring Holder	
44224401	53
Slot Card Plate Assembly	
44089501	19, 21
Snap Bushing	
F140938	71, 73
M402542	71, 73
70178701	69
Spacer	
M401402	49
Spark Electrode	
44328701P	61
Spray Paint	
298P4P	41
Spud Holder Weldment	
44263102	61
Steam Adaptor Kit	
44314701	67
Steam Coil	
M400637P	67
Steam Control Assembly	
70501801	69
Steam Heater Assembly	
44020401P	67
Steam Stand Box	
44007501	67
Steam Valve	
F8322904P	67
Steam Valve Harness	
F8520703	67
Stove Grate	
44300301	43
44300302	43
44335601	43
Stove Limit Harness	
70564302	67
70564304	61, 65
Strain Relief	
44304801	67
Switch	
70411901	59
Switch Bracket	
44296101	37
70356301	59, 61

Switch Hole Plug	
44057801B	31
44057801LG	31
44057801Q	31
44057801W	31

T

Terminal	
00622SG	69
Terminal Block	
430642	69
Terminal Block Shield	
70333001	69
Thermistor	
M414704	57
44064701	41
Thermistor Plate	
44068101	41
44068102	41
Top Cover	
44139301	41
Top Cover Pan	
44129301P	41
Top Pan	
44300101	41
Top Panel Bracket	
44129401	41
Transformer	
F8491101	69
202757	41
202758	41
Transformer Harness	
44272301	41
44272302	41
Trunnion and Bearing Assembly	
M4640P3	51
44336301	51
Trunnion Assembly	
44207901	49
44208001	49
Trunnion Housing	
M413826	51
Trunnion Housing Assembly	
M413832	51
Tumbler Dolly Kit	
M4379P4	31

U

Upper Rear Panel	
44297001	41

V

Valve	
F8322906P	67
Valve Rebuild Kit	
F8379502	67
V-Belt	
44309402	55

N/A items do not appear in index.

44333301	55
Vend Activation Harness	
44334001	17, 19, 21, 23

W

Warning Label	
44321601	75
44324001	75
44324101	75
44324501	15
44324502	15
70534401	35
70534402	35
70534405	35
70536401	75
Warning Label Kit	
F8611600	75
Washer	
M400015	49, 51
20103	51
44238902	53
70261401	51
70409301	45
Water Valve Harness	
44334405	15
Wire Clip	
F8449501	69
F8449502	69, 71, 73
Wire Guard	
201595P	25
Wire Label	
44286802	69
44286804	69
Wireless Network Board Harness	
F8536002	21
Wireless Network Control Assembly	
203532	21
Wireless Network Kit	
70596301	21
Wireway Channel	
44239101	53
