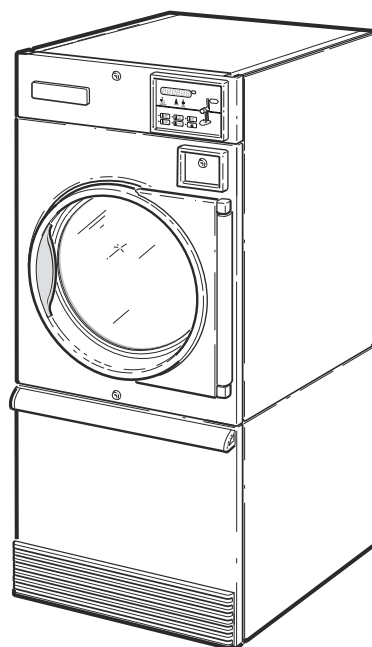


Tumble Dryers

55 Pound Capacity

Models with 0 or 3 in 13th Position of Model Number

Refer to Page 5 for Model Numbers



TMB1283C_70591501

Table of Contents

Title	Page
Parts Ordering Information.....	3
Serial Plate Location	3
Model Identification	5
Product Overview - Heat Source and Voltage	6
Product Overview - FN Control Suffix	8
Product Overview - DN and NN Control Suffixes.....	10
Product Overview - B, N and W Control Suffixes.....	12
Dual Digital Control	14
Electronic Display Control - Vend Models with B in the 7th Position	16
Electronic Display Control - Vend Models with N or W in the 7th Position.....	18
Electronic Display Control Overlays - Vend Models with N or W in the 7th Position	20
Electronic Display Control - OPL Models with N in the 7th Position	22
3.5 Inch Graphical Control	24
Coin Drops	26
Coin Drop Kits.....	28
Door Assemblies	30
Door Components.....	32
Hinge Components	34
False Fronts	36
Control Panels	38
Front Panel Assemblies	40
Cabinet Front Components.....	42
Emergency Stop Button	44
Lower Cabinet Components	46
Cylinder and Trunnion Assembly	48
Moisture Sensing Components.....	50
Cylinder Components	52
Cabinet Components	54
Fire Suppression System Components	56
Fire Suppression System Control Box.....	58
Motor Components	60
Blower and Exhaust Components.....	62
Airflow Switch.....	64
Gas Heater Components	66
Burner Orifices	68
Electric Heater Components	70
Control Tray	72
Accessory Box - Electric 200-240 Volt Models	74
Accessory Box - Electric 380-480 Volt Models	76
Harnesses.....	78
Labels	79

© Copyright 2018, Alliance Laundry Systems LLC

All rights reserved. No part of the contents of this book may be reproduced or transmitted in any form or by any means without the expressed written consent of the publisher.

Parts Ordering Information

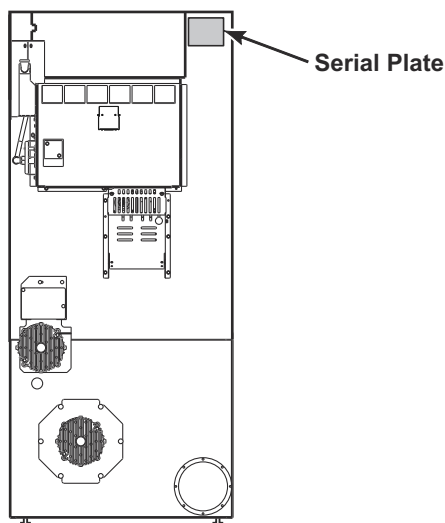
If literature or replacement parts are required, contact the source from whom the machine was purchased or contact Alliance Laundry Systems at (920) 748-3950 for the name and address of the nearest authorized parts distributor.

For technical assistance, call the number listed below:

(920) 748-3121 Ripon, Wisconsin

Serial Plate Location

When calling or writing about your product, be sure to mention model and serial numbers. Model and serial numbers are located on serial plate(s) as shown.



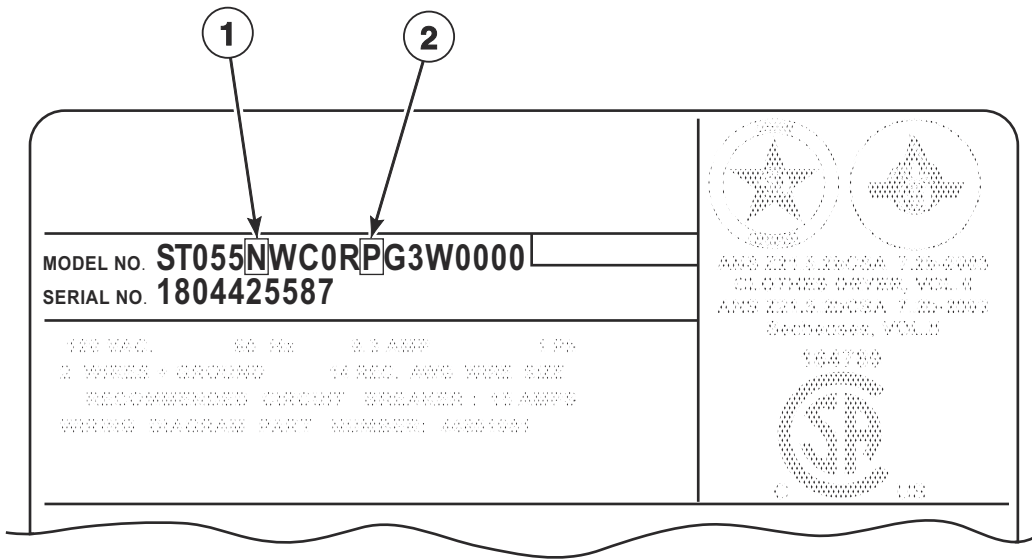
TMB3500P_70591501

Model Identification

Information in this manual is applicable to these tumbler models:

BA055E	GK055E	MG055D	PT055E	UA055E
BA055F	GK055L	MG055E	PT055L	UA055F
BA055L	GK055N	MG055F	PT055N	UA055L
BA055N	GU055E	MG055L	PU055E	UA055N
BA055R	GU055L	MG055N	PU055L	UA055R
BG055D	GU055N	MG055R	PU055N	UG055D
BG055E	HA055E	MJ055D	SA055E	UG055E
BG055F	HA055F	MJ055E	SA055F	UG055F
BG055L	HA055L	MJ055F	SA055L	UG055L
BG055N	HA055N	MJ055L	SA055N	UG055N
BG055R	HA055R	MJ055N	SA055R	UG055R
BH055E	HG055D	MJ055R	SG055D	UH055E
BH055F	HG055E	NA055E	SG055E	UH055F
BH055L	HG055F	NA055L	SG055F	UH055L
BH055N	HG055L	NA055N	SG055L	UH055N
BH055R	HG055N	NG055E	SG055N	UH055R
BJ055D	HG055R	NG055L	SG055R	UJ055D
BJ055E	HH055E	NG055N	SH055E	UJ055E
BJ055F	HH055F	NH055E	SH055F	UJ055F
BJ055L	HH055L	NH055L	SH055L	UJ055L
BJ055N	HH055N	NH055N	SH055N	UJ055N
BJ055R	HH055R	NJ055E	SH055R	UJ055R
BK055E	HJ055D	NJ055L	SJ055D	UK055E
BK055F	HJ055E	NJ055N	SJ055E	UK055F
BK055L	HJ055F	NK055E	SJ055F	UK055L
BK055N	HJ055L	NK055L	SJ055L	UK055N
BK055R	HJ055N	NK055N	SJ055N	UK055R
BL055E	HJ055R	NR055E	SJ055R	UL055E
BL055L	HK055E	NU055E	SK055E	UL055L
BR055E	HK055F	NU055L	SK055F	UR055E
BU055E	HK055L	NU055N	SK055L	UT055E
BU055F	HK055N	PA055E	SK055N	UT055F
BU055L	HK055R	PA055L	SK055R	UT055L
BU055N	HL055E	PA055N	SL055E	UT055N
BU055R	HL055L	PG055E	SL055L	UT055R
GA055E	HR055E	PG055L	SR055E	UU055E
GA055L	HT055E	PG055N	ST055E	UU055F
GA055N	HT055F	PH055E	ST055F	UU055L
GG055E	HT055L	PH055L	ST055L	UU055N
GG055L	HT055N	PH055N	ST055N	UU055R
GG055N	HT055R	PJ055E	ST055R	
GH055E	HU055E	PJ055L	SU055E	
GH055L	HU055F	PJ055N	SU055F	
GH055N	HU055L	PK055E	SU055L	
GJ055E	HU055N	PK055L	SU055N	
GJ055L	HU055R	PK055N	SU055R	
GJ055N	KT055E	PR055E		
	KT055L			
	KT055N			

Product Overview - Heat Source and Voltage



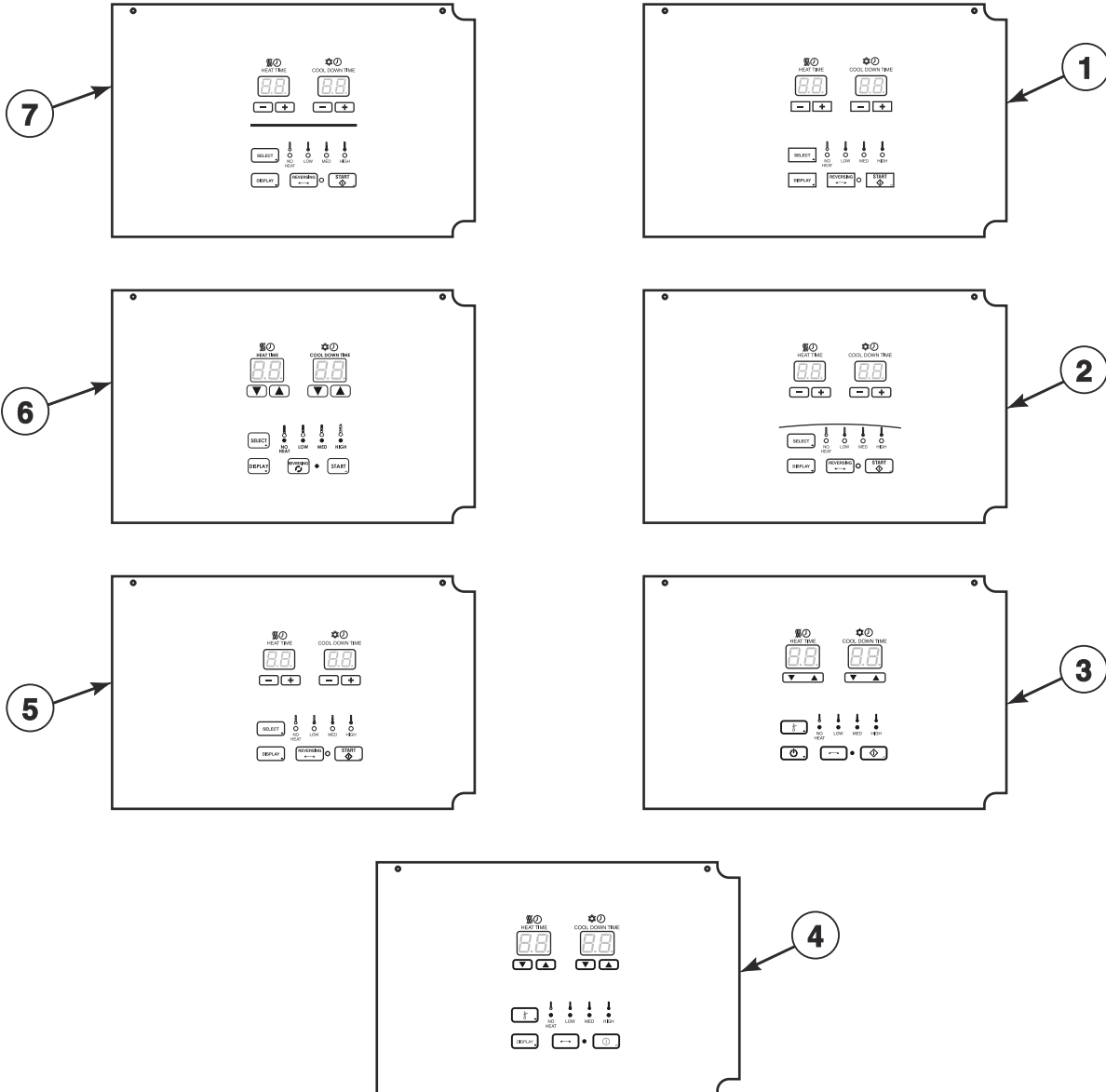
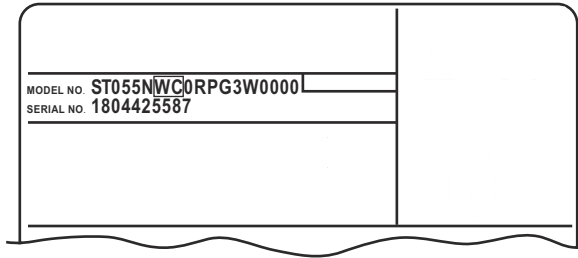
TMB3558P_70591501

Product Overview - Heat Source and Voltage

REF	PART NO.	DESCRIPTION	COMMENTS
1	-	Heat Source	D: Liquid Petroleum Gas (L.P) E: Electric F: Reduced Electric (Eco Line) L: Liquid Petroleum Gas (L.P.) N: Natural Gas (N.G.) R: Reduced Gas, Natural Gas (Eco Line)
2	-	Voltage	B: 100-120 Volt/50-60 Hertz/1 Phase; Gas and steam models D: 200-208 Volt/50-60 Hertz/1 Phase; Electric models E: 230-240 Volt/50-60 Hertz/1 Phase; Electric models F: 200-208 Volt/50-60 Hertz/3 Phase; Electric models G: 230-240 Volt/50-60 Hertz/3 Phase; Electric models H: 380 Volt/50-60 Hertz/3 Phase; Electric models J: 400-415 Volt/50-60 Hertz/3 Phase; Electric models K: 440 Volt/50-60 Hertz/3 Phase; Electric models L: 460-480 Volt/50-60 Hertz/3 Phase; Electric models N: 440-480 Volt/50-60 Hertz/3 Phase; Gas and steam models P: 380-415 Volt/50-60 Hertz/3 Phase; Gas and steam models X: 200-240 Volt/50-60 Hertz/1-3 Phase; Gas and steam models

Product Overview - FN Control Suffix

All Models Except M Models; OPL



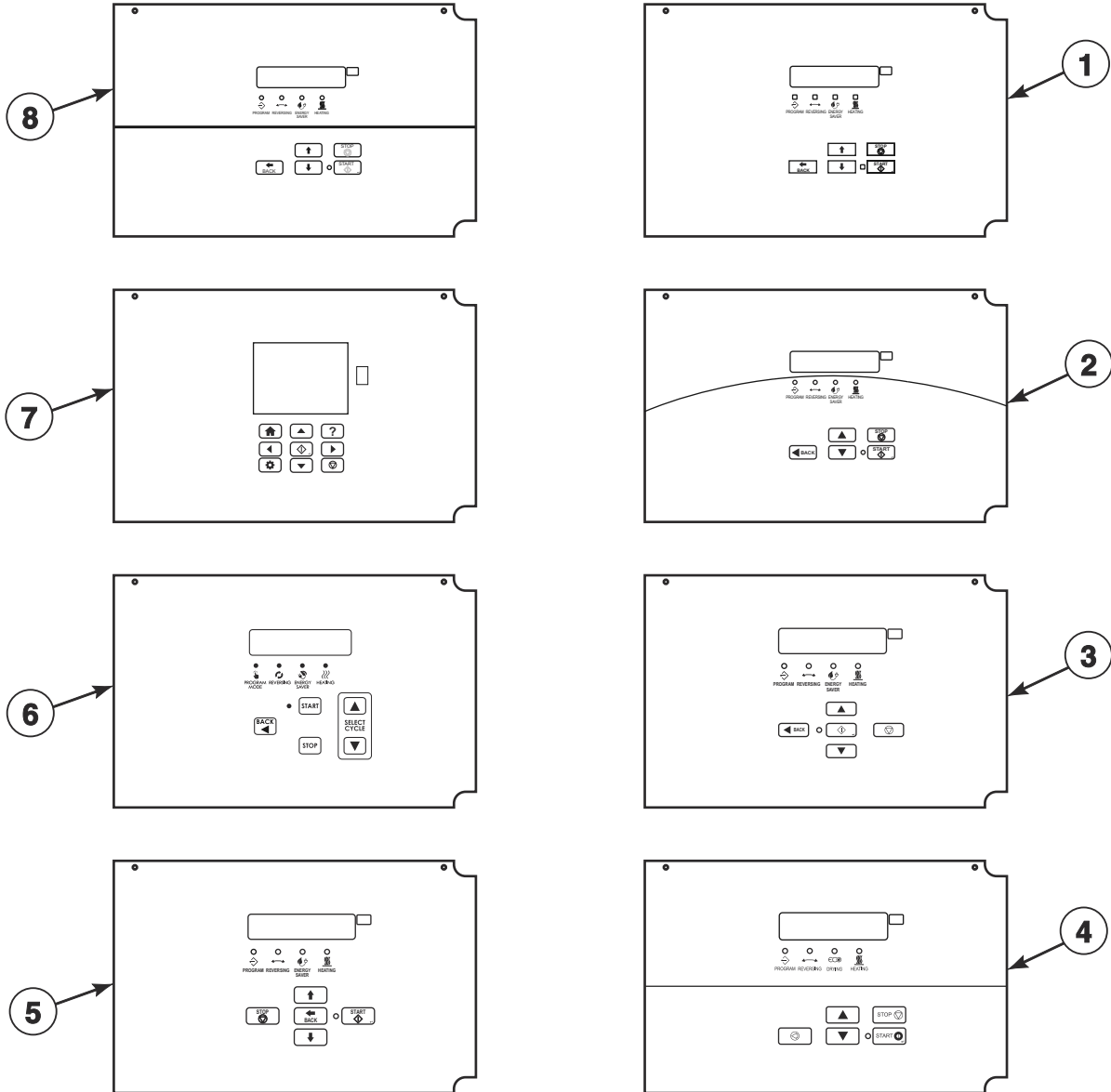
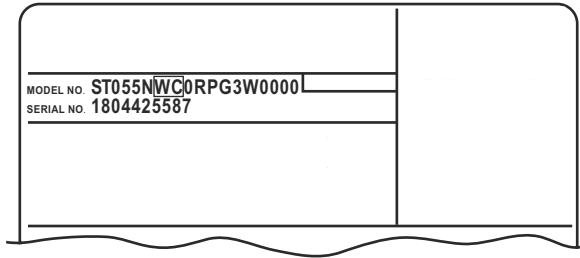
TMB3559P_70591501

Product Overview - FN Control Suffix

REF	PART NO.	DESCRIPTION	COMMENTS
1	-	Dual Digital Control	H models
2	-	Dual Digital Control	U models
3	-	Dual Digital Control	B models
4	-	Dual Digital Control	P models
5	-	Dual Digital Control	N models
6	-	Dual Digital Control	G and K models
7	-	Dual Digital Control	S models

Product Overview - DN and NN Control Suffixes

All Models Except M Models; OPL



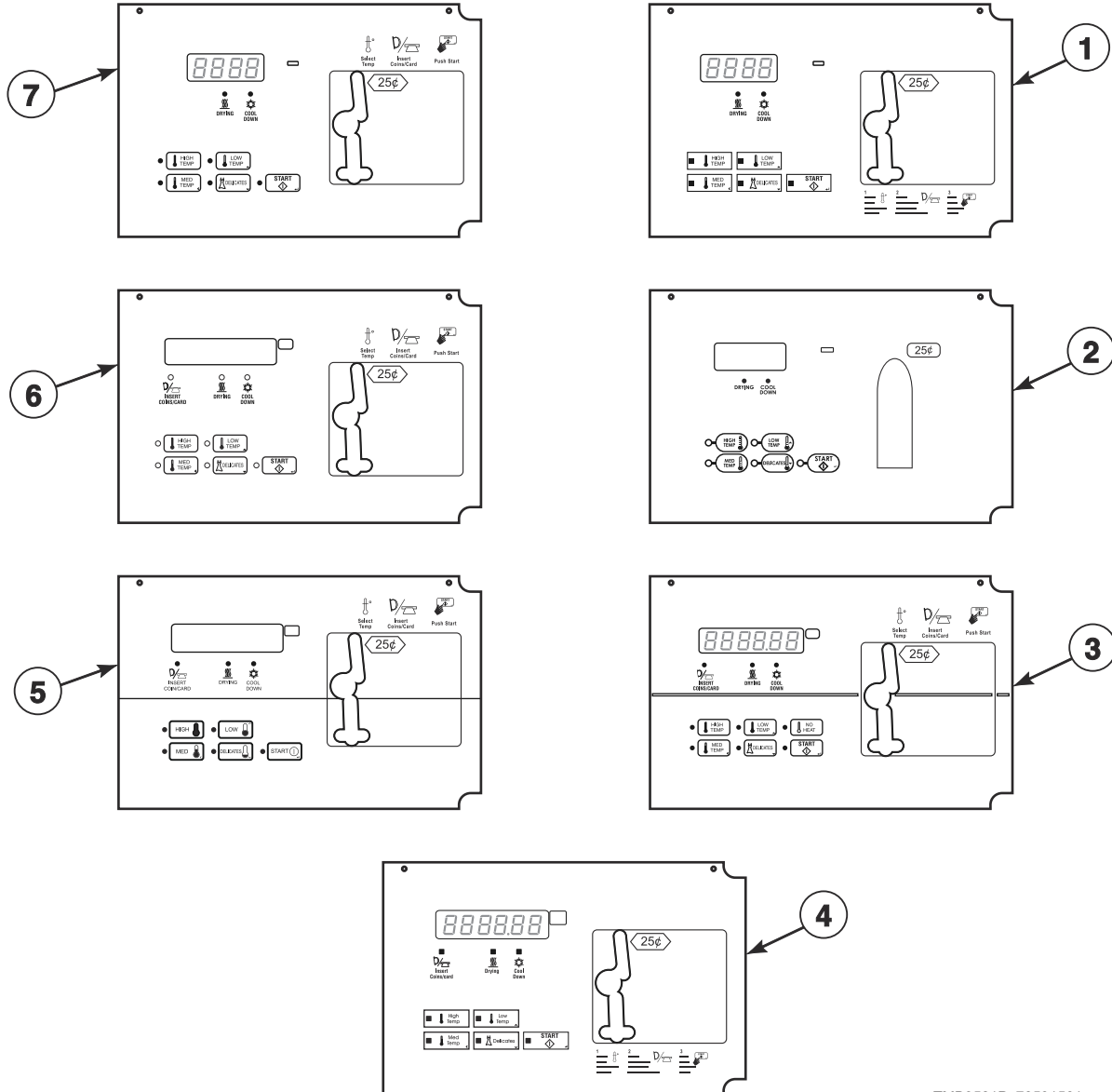
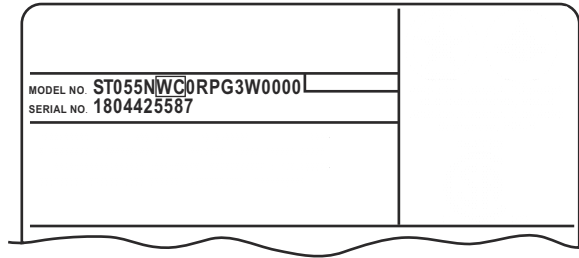
TMB3560P_70591501

Product Overview - DN and NN Control Suffixes

REF	PART NO.	DESCRIPTION	COMMENTS
1	-	Galaxy Control	H models
2	-	M-Series Control	U models
3	-	OPTimum Control	B models
4	-	OPL Micro Control	P models
5	-	OPL Micro Control	N models
6	-	OPL Micro Control	G and K models
7	-	UniLinc Control	U models
8	-	Quantum Gold Control	S models

Product Overview - B, N and W Control Suffixes

7th Position of the Model Number; Vend



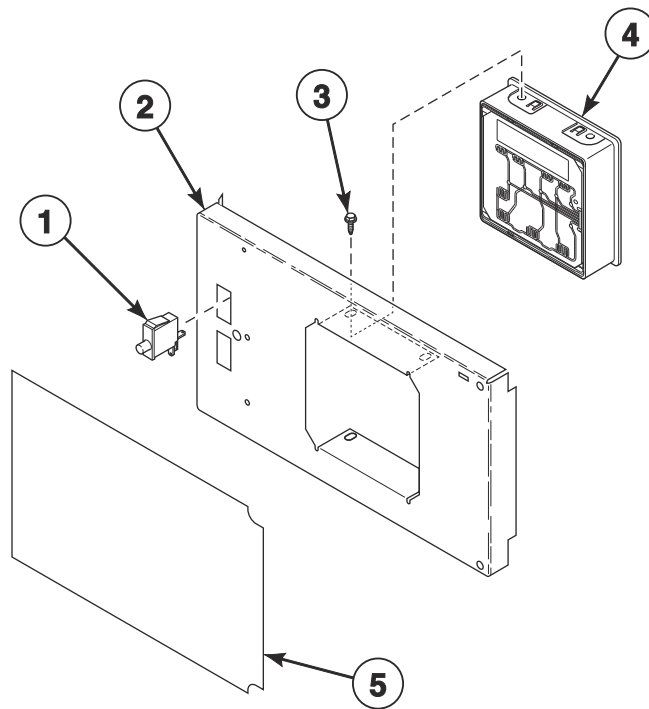
TMB3561P_70591501

Product Overview - B, N and W Control Suffixes

REF	PART NO.	DESCRIPTION	COMMENTS
1	-	Basic Electronic Control	H and N models
2	-	Basic Electronic Control	G and K models
3	-	Quantum Gold Control	M and S models
4	-	Galaxy 600	H models
5	-	XQ Control	P models
6	-	EVO7S Control	B models
7	-	MDC II Control	S models

Dual Digital Control

All Models Except M Models with F in the 7th Position



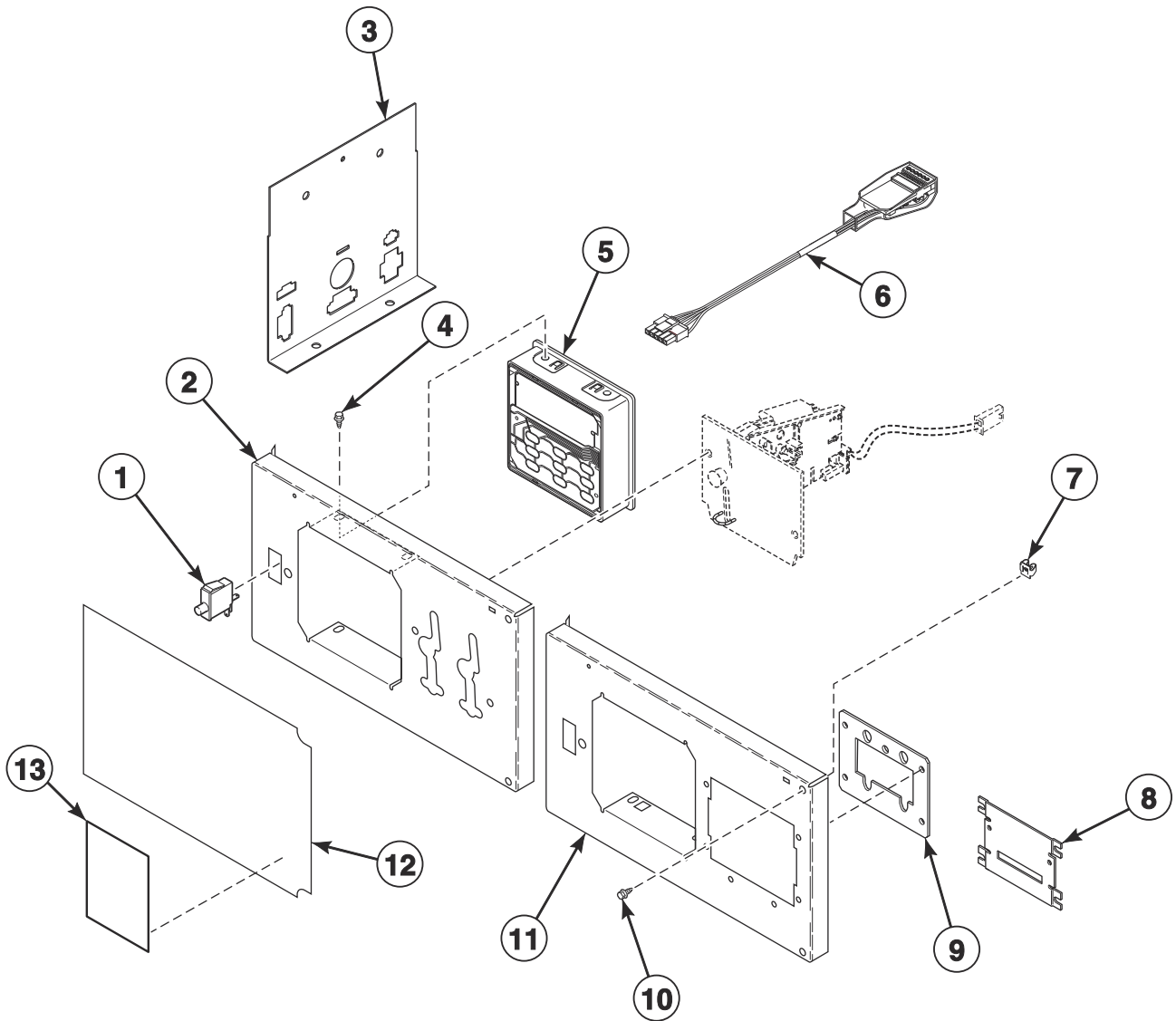
TMB3505P_70591501

Dual Digital Control

REF	PART NO.	DESCRIPTION	COMMENTS
	44334001	Vend Activation Harness	
1	70413301	Pushbutton Switch	
2	70497101	Control Plate	
3	804608	Screw	4 required
4	70523101	Control Assembly	P models; Blue
	70479801	Control Assembly	G, H, K, N, S and U models; Green
	70479901	Control Assembly	B models; Red
5	70539102	Overlay	B models; Nonreversing
	70539101	Overlay	B models; Reversing
	70547502	Overlay	G and K models; Nonreversing
	70547501	Overlay	G and K models; Reversing
	70517802	Overlay	H models; Nonreversing
	70517801	Overlay	H models; Reversing
	70545502	Overlay	P models; Nonreversing
	70545501	Overlay	P models; Reversing
	70516802	Overlay	N and S models; Nonreversing
	70516801	Overlay	N and S models; Reversing
	70519002	Overlay	U models; Nonreversing
	70519001	Overlay	U models; Reversing

Electronic Display Control - Vend Models with B in the 7th Position

G, H, K, N and S Models



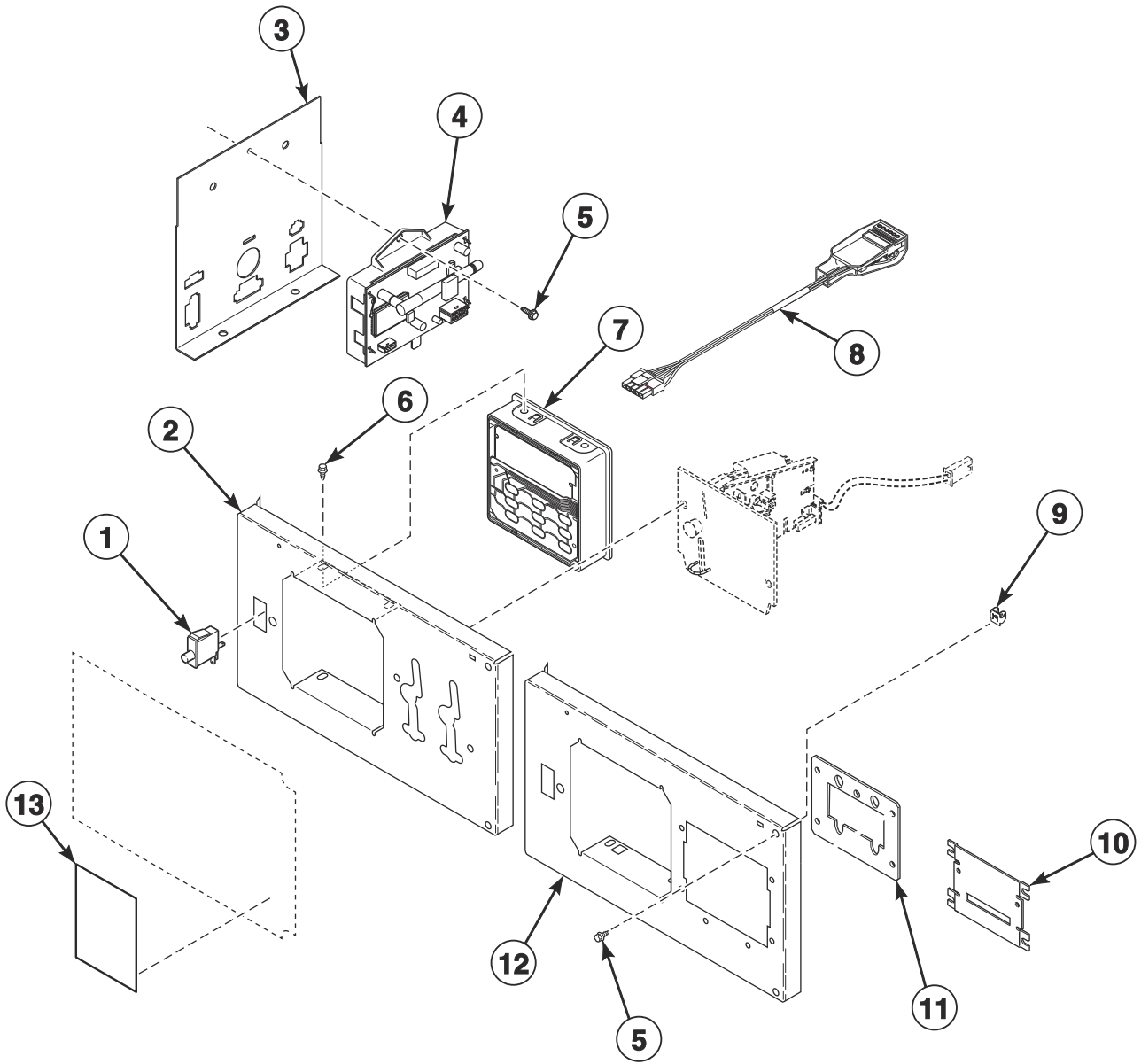
TMB3506P_70591501

Electronic Display Control - Vend Models with B in the 7th Position

REF	PART NO.	DESCRIPTION	COMMENTS
	44334001	Vend Activation Harness	
	44342801	Central Pay Harness	
1	70413301	Pushbutton Switch	
2	70496601	Control Plate and Studs Assembly	Coin and central pay
3	70307007	Harness Mounting Plate	
4	804608	Screw	4 required
5	70478801	Control Assembly	
6	203361P	Machine ID Control Assembly	Model or serial number is required when ordering
7	70030501	Expansion Clip	2 required
8	44089501	Slot Card Plate Assembly	H, N and S models; Included in literature packet
9	70208801	Mounting Plate	
10	M411072	Screw	2 required
11	70497201	Control Plate Assembly	Card and card ready
12	70544701	Overlay	N and S models; Single drop
	70544702	Overlay	N and S models; Dual drop
	70544703	Overlay	N and S models; Card ready
	70570301	Overlay	H models; Single drop
	70570302	Overlay	H models; Dual drop
	70570303	Overlay	H models; Card ready
	70547401	Overlay	G and K models; Single drop
	70547402	Overlay	G and K models; Dual drop
	70548101	Overlay	G and K models; Card ready
13	F8205101	Overlay	Black; Single drop; Left
	70557001	Overlay	N and S models; Prep for card
	70557002	Overlay	N and S models; Central pay
	70556501	Overlay	H models; Prep for card
	70556502	Overlay	H models; Central pay
	70518101	Overlay	H models; Citron; Prep for card
	70518102	Overlay	H models; Citron; Central pay

Electronic Display Control - Vend Models with N or W in the 7th Position

B, H, M, P and S Models



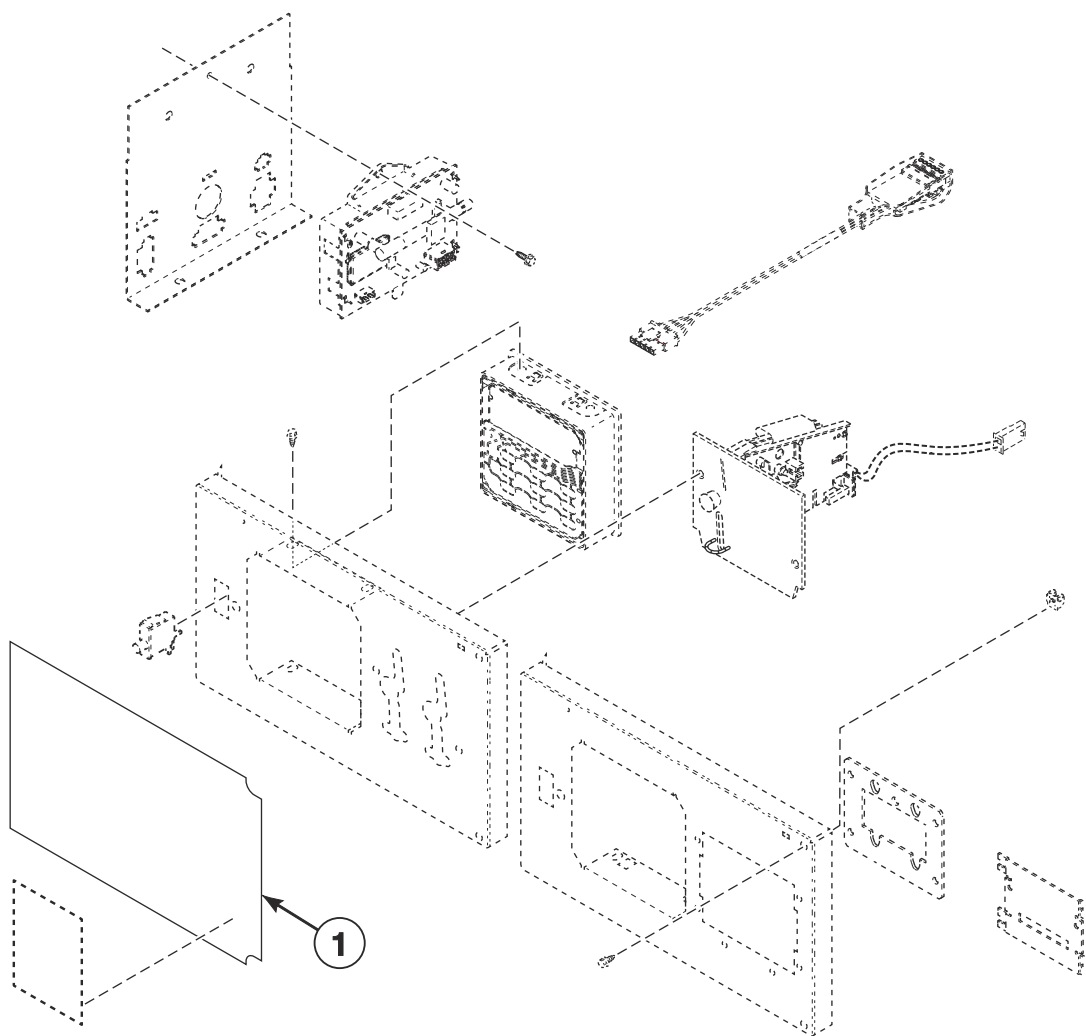
TMB3507P_70591501

Electronic Display Control - Vend Models with N or W in the 7th Position

REF	PART NO.	DESCRIPTION	COMMENTS
	70596301	Wireless Network Kit	
	44334001	Vend Activation Harness	
	F8536002	Wireless Network Board Harness	
	F8613201	FCC-IC Label	HT, PT and ST models
	F8649601	Label	H models
1	70413301	Pushbutton Switch	
2	70496601	Control Plate and Studs Assembly	Coin and central pay
3	70307007	Harness Mounting Plate	
4	203532	Wireless Network Control Assembly	
5	M411072	Screw	
6	804608	Screw	4 required
7	70523001	Control Assembly	P models; Blue
	70478801	Control Assembly	H, M and S models; Green
	70478901	Control Assembly	B models; Red
8	203361P	Machine ID Control Assembly	Model or serial number is required when ordering
9	70030501	Expansion Clip	
10	44089501	Slot Card Plate Assembly	
11	70208801	Mounting Plate	
12	70497201	Control Plate Assembly	Card and card ready
13	F8205101	Overlay	S models; Single drop; Left
	70557001	Overlay	B and S models; Prep for card
	70557002	Overlay	B and S models; Central pay
	70295101	Overlay	S models; World drop
	70556801	Overlay	H models; World drop
	70556501	Overlay	H models; Prep for card
	70556502	Overlay	H models; Central pay
	70556601	Overlay	H models; Single drop; Left
	70556901	Overlay	H models; Citron; World drop
	70518101	Overlay	H models; Citron; Prep for card
	70518102	Overlay	H models; Citron; Central pay
	70556701	Overlay	H models; Citron; Left
	70556201	Overlay	P models; Single drop; Right
	70556401	Overlay	P models; Prep for card
	70556402	Overlay	P models; Central pay
	70556301	Overlay	P models; Single drop; Left

Electronic Display Control Overlays - Vend Models with N or W in the 7th Position

B, H, M, P and S Models



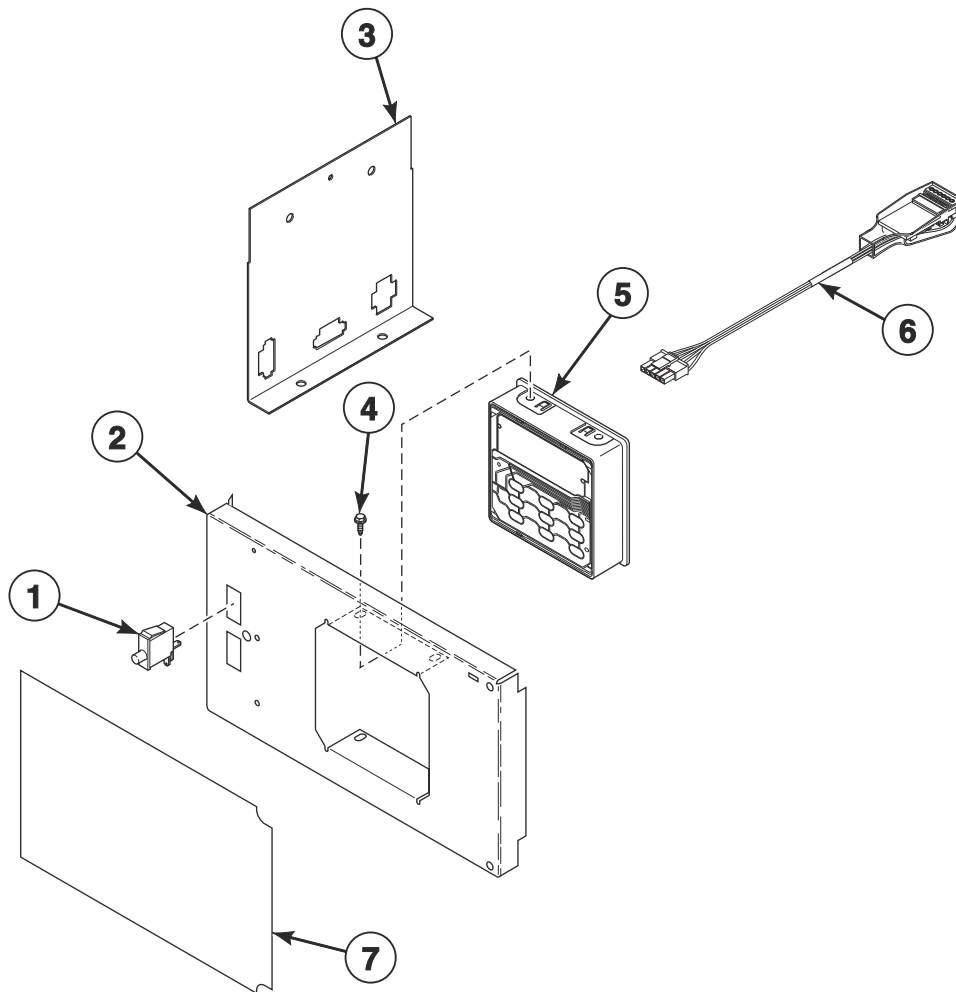
TMB3507PA_70591501

Electronic Display Control Overlays - Vend Models with N or W in the 7th Position

REF	PART NO.	DESCRIPTION	COMMENTS
1	70512004	Overlay	S models; Single drop
	70512005	Overlay	S models; Dual drop
	70512006	Overlay	S models; Card ready
	70512007	Overlay	S models; Central pay
	70512008	Overlay	S models; World drop
	70559001	Overlay	Models SG055D and SJ055D
	70572601	Overlay	M models
	70517001	Overlay	H models; Single drop
	70517002	Overlay	H models; Dual drop
	70517003	Overlay	H models; Card ready
	70517004	Overlay	H models; Central pay
	70517005	Overlay	H models; World drop
	70571001	Overlay	H models; Single drop; Cityscape
	70571002	Overlay	H models; Dual drop; Cityscape
	70571003	Overlay	H models; Card ready; Cityscape
	70518201	Overlay	H models; Single drop; Citron
	70518202	Overlay	H models; Dual drop; Citron
	70518203	Overlay	H models; Card ready; Citron
	70571101	Overlay	B models; Single drop
	70571102	Overlay	B models; Dual drop
	70571103	Overlay	B models; Card ready
	70541201	Overlay	P models; Single drop
	70541202	Overlay	P models; Dual drop
	70541203	Overlay	P models; Card ready

Electronic Display Control - OPL Models with N in the 7th Position

All models Except M Models



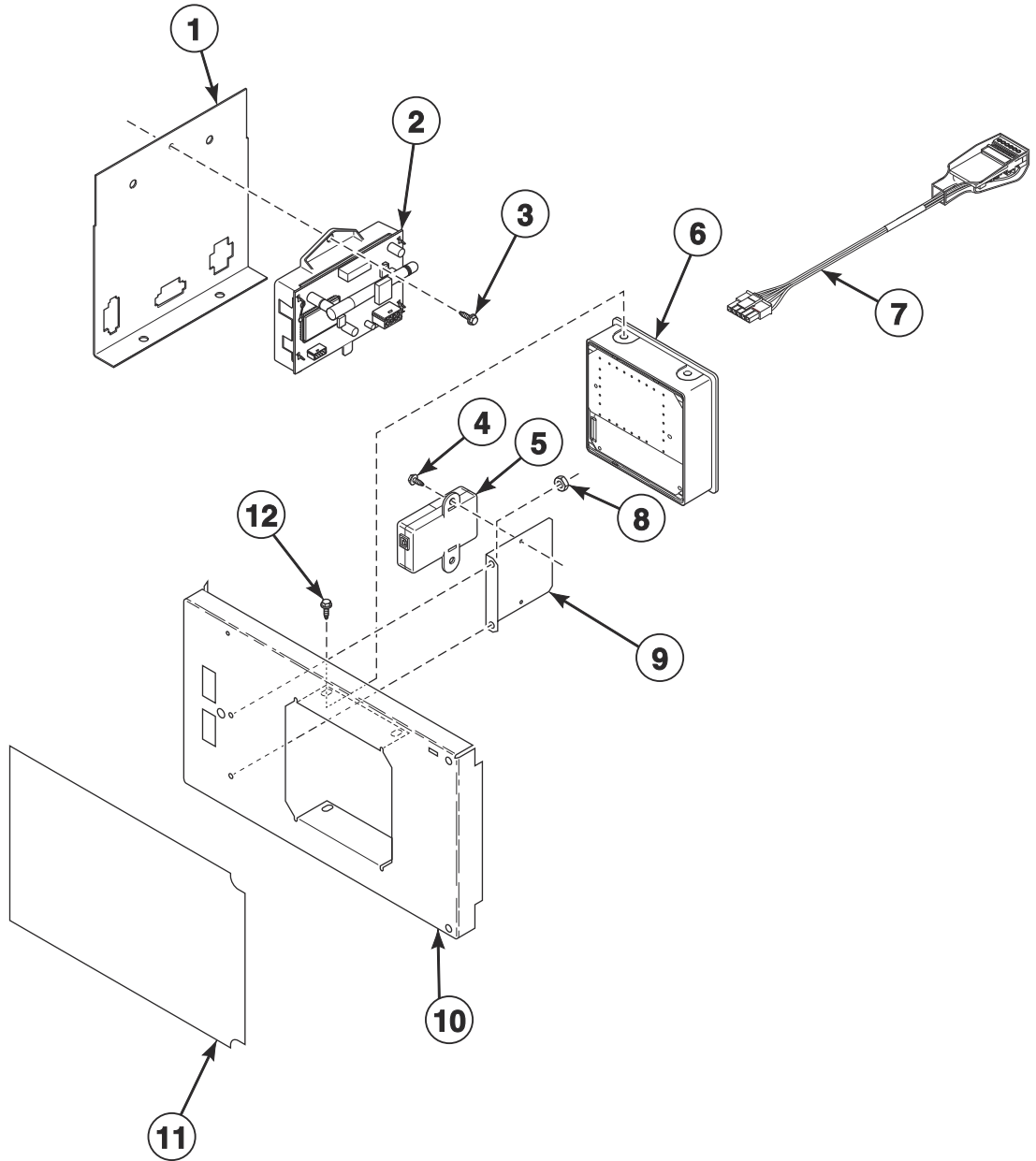
TMB3508P_70591501

Electronic Display Control - OPL Models with N in the 7th Position

REF	PART NO.	DESCRIPTION	COMMENTS
	44334001	Vend Activation Harness	
1	70413301	Pushbutton Switch	
2	70497101	Control Plate	
3	70307007	Harness Mounting Plate	
4	804608	Screw	4 required
5	70523002	Control Assembly	P models; Blue
	70478802	Control Assembly	G, H, K, N, S and U models; Green
	70478902	Control Assembly	B models; Red
6	203361P	Machine ID Control Assembly	Model or serial number is required when ordering
7	70570601	Overlay	S models; Reversing
	70570602	Overlay	S models; Nonreversing
	70571401	Overlay	U models; Reversing
	70571402	Overlay	U models; Nonreversing
	70570801	Overlay	H models; Reversing
	70570802	Overlay	H models; Nonreversing
	70548801	Overlay	B models; Reversing
	70548802	Overlay	B models; Nonreversing
	70547801	Overlay	G and K models; Reversing
	70547802	Overlay	G and K models; Nonreversing
	70571601	Overlay	P models; Reversing
	70571602	Overlay	P models; Nonreversing
	70572401	Overlay	N models; Reversing
	70572402	Overlay	N models; Nonreversing

3.5 Inch Graphical Control

U Models with D in the 7th Position



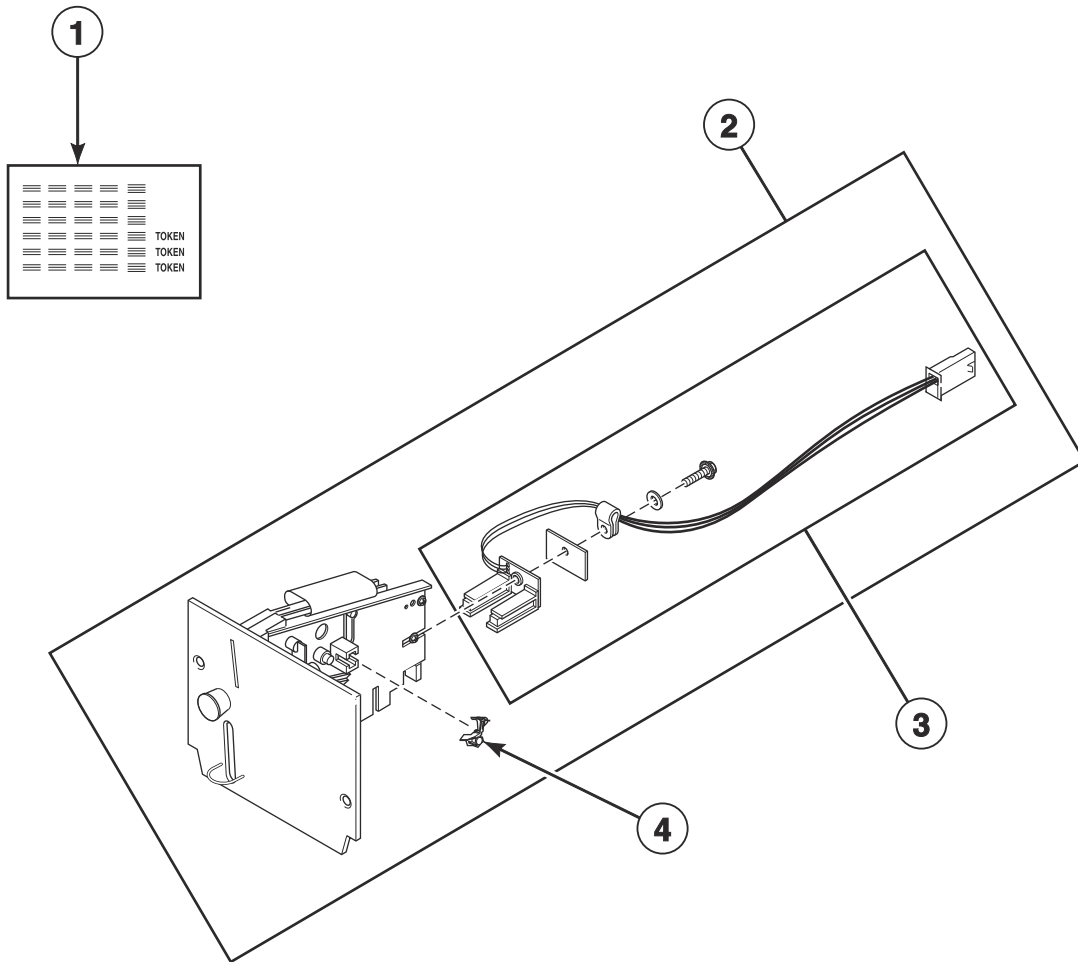
TMB3509P_70591501

3.5 Inch Graphical Control

REF	PART NO.	DESCRIPTION	COMMENTS
	70596301	Wireless Network Kit	
	F8536002	Wireless Network Board Harness	
	F8617901	Harness	USB
	F8613201	FCC-IC Label	UT models
1	70307007	Harness Mounting Plate	
2	203532	Wireless Network Control Assembly	
3	M411072	Screw	
4	33562	Screw	2 required
5	203440	USB-Serial Interface Assembly	
6	70543104	Control Assembly	
7	203361P	Machine ID Control Assembly	Model or serial number is required when ordering
8	44071201	Nut	2 required
9	70547001	USB Bracket	
10	70570201	Control Door and Studs Assembly	
11	70519201	Overlay	
12	804608	Screw	4 required

Coin Drops

All Models Except U Models



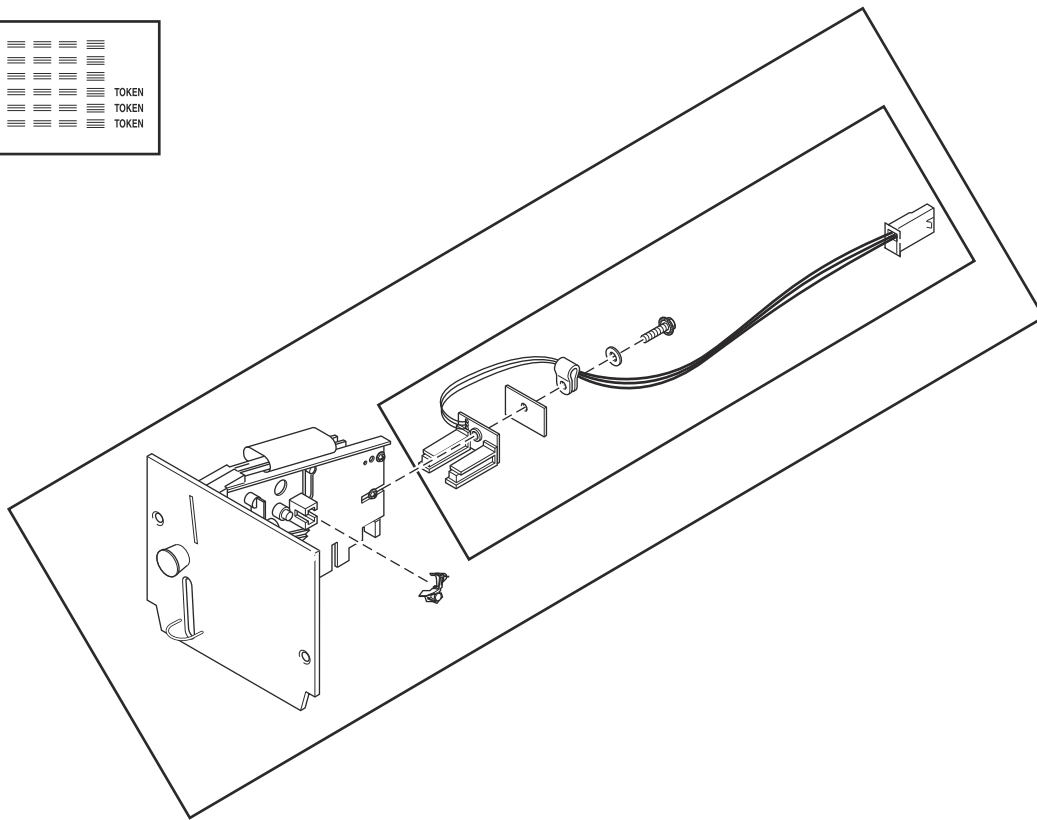
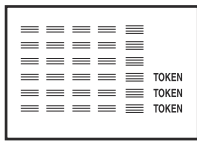
TMB3510P_70591501

Coin Drops

REF	PART NO.	DESCRIPTION	COMMENTS
1	38725	Coin Identification Paper	
2	70441601P	Coin Drop	Single; U.S.A.; \$.25
	38475	Coin Drop Assembly	Single; Japan; 100 yen
	38464P	Coin Drop Assembly	Single; Canada; .25
	CK077	Coin Drop Kit	Single; Taiwan; 10 NT
	70506901	Coin Drop Assembly	Single; Singapore; \$1.00 NEW
	70441603	Coin Drop	Dual; U.S.A.; \$.25 and \$1.00
	38519	Coin Drop Assembly	Dual; Japan; 100 yen and 500 yen
	70441602	Coin Drop Assembly	Dual; Canada; .25 and 1.00
	38467	Coin Drop Assembly	Dual; Australia; \$0.20 and \$1.00
	70447301	Coin Drop Assembly	Dual; Australia; \$1.00 and \$2.00
	70283102	Coin Drop Assembly	Dual; 0.20 and 0.50 Euro
	210195	Coin Drop Assembly	Dual; 0.20 and 1.00 Euro
	210196	Coin Drop Assembly	Dual; 0.50 and 1.00 Euro
	F0160737-00	Coin Meter	Dual; 0.50 and 2.00 Euro
	70281102	Coin Drop Assembly	Dual; Taiwan; 10 and 50 NT
	70482401	Coin Drop Assembly	Dual; New Zealand ; \$1.00 and \$2.00
	38462P	Coin Drop Assembly	Single; Token; STD 118-1
	38463	Coin Drop Assembly	Single; Token; STD 118-5
	38963P	Coin Drop	Single; Token STD 118-16
	39748	Coin Drop	Single; Jeton 08MS
	201141	Coin Drop Assembly	Single; Token; Jeton wh121
	70471601	Coin Drop Assembly	Single; Token; 7K
	70513302	Electronic Coin Drop Assembly	Euro and Great Britain coins
	70513310	Electronic Coin Drop Assembly	Japan and Thailand coins
	70513304	Electronic Coin Drop Assembly	Australia, New Zealand, Hong Kong and South Korea coins
	70513303	Electronic Coin Drop Assembly	Denmark, Norway and Euro coins
	70513306	Electronic Coin Drop Assembly	Mexico, Ecuador and U.S.A. coins
	70294107	Electronic Coin Drop Assembly	Lithuania, Latvia and Euro coins
	70513311	Electronic Coin Drop Assembly	China and Malaysia coins
	70513308	Electronic Coin Drop Assembly	South African 1, 2 and 5 rand coins
	70513309	Electronic Coin Drop Assembly	Euro coins
	70513312	Electronic Coin Drop Assembly	Russia coins
	70513313	Electronic Coin Drop Assembly	Phillipines coins
	70513314	Electronic Coin Drop Assembly	Thailand coins
	70513315	Electronic Coin Drop Assembly	Chile coins
	70513316	Electronic Coin Drop Assembly	Singapore coins
3	200674P	Opto Coupler	
4	201595P	Wire Guard	

Coin Drop Kits

All Models Except U Models

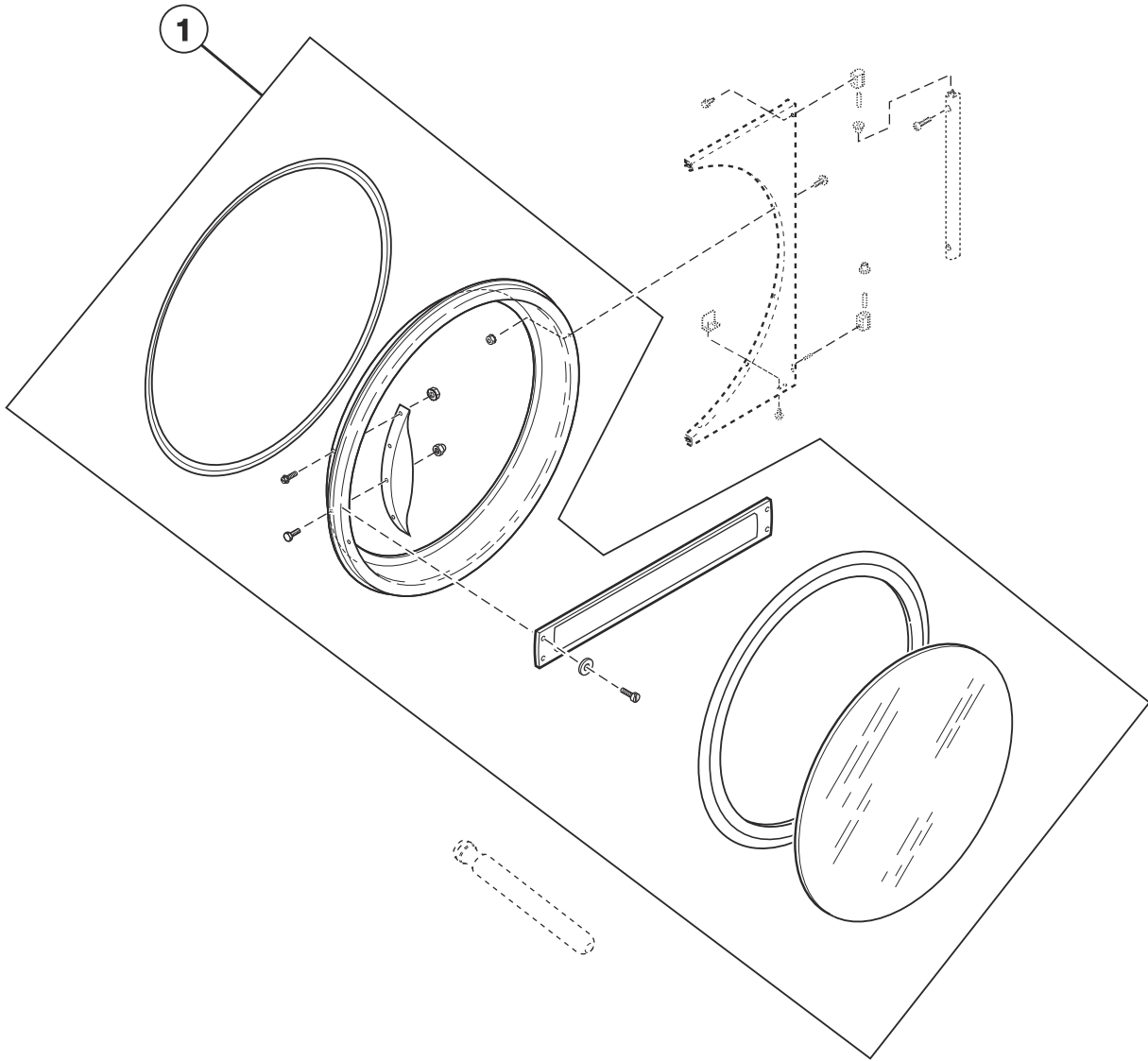


TMB3510PA_70591501

Coin Drop Kits

REF	PART NO.	DESCRIPTION	COMMENTS
	CK115	Electronic Coin Drop Kit	United States and Canada
	CK099	Electronic Coin Drop Kit	Australia (default), New Zealand, Hong Kong, South Korea and Malaysia
	CK100	Electronic Coin Drop Kit	United Kingdom (default) and Europe
	CK101	Electronic Coin Drop Kit	Europe (default), Denmark and Norway
	CK108	Electronic Coin Drop Kit	South Africa
	CK109	Electronic Coin Drop Kit	Euro
	CK110	Electronic Coin Drop Kit	Mexico (default), Ecuador and United States
	CK113	Electronic Coin Drop Kit	Japan and Taiwan
	CK116	Electronic Coin Drop Kit	Malaysia (default) and China
	CK117	Electronic Coin Drop Kit	Russia
	CK118	Electronic Coin Drop Kit	Philippine
	CK119	Electronic Coin Drop Kit	Thailand
	CK120	Electronic Coin Drop Kit	Chile
	CK121	Electronic Coin Drop Kit	Singapore
	CK122	Coin Drop Kit	New Zealand; 1.00 and 2.00

Door Assemblies

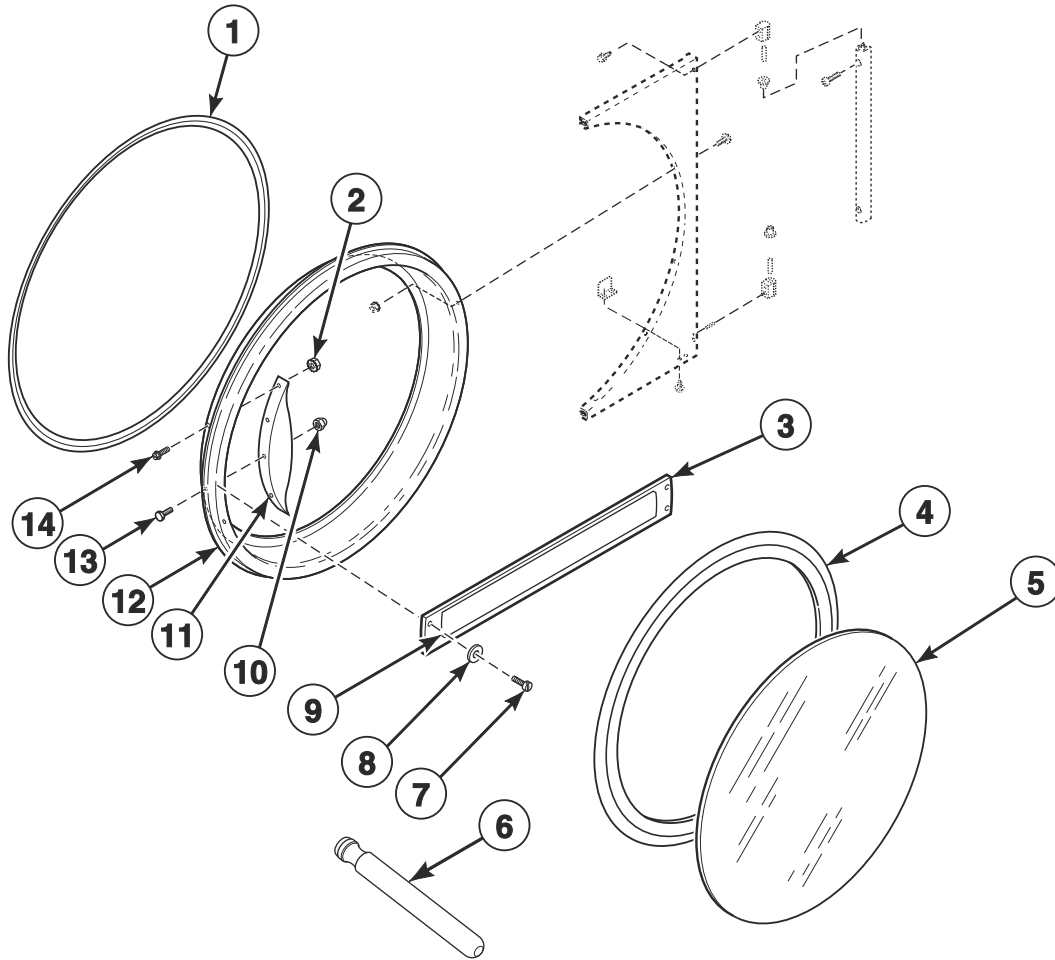


TMB3152P_70591501

Door Assemblies

REF	PART NO.	DESCRIPTION	COMMENTS
1	44266703	Door Assembly	U models; Stainless steel
	44028906	Door Assembly	M and S models; Stainless steel
	44028907	Door Assembly	B and N models
	44058105	Door Assembly	H models; Stainless steel
	44058107	Door Assembly	H models; Stainless steel with green trim
	44058108	Door Assembly	H models; Chrome with green trim
	44058106	Door Assembly	H models; Chrome
	44266704	Door Assembly	U models; Chrome
	44028908	Door Assembly	M and S models; Chrome
	44292302LG	Door Assembly	P models; Light gray
	44292302B	Door Assembly	P models; Use with stainless steel front panel
	70407402	Door Assembly	G and K models; Includes handle

Door Components

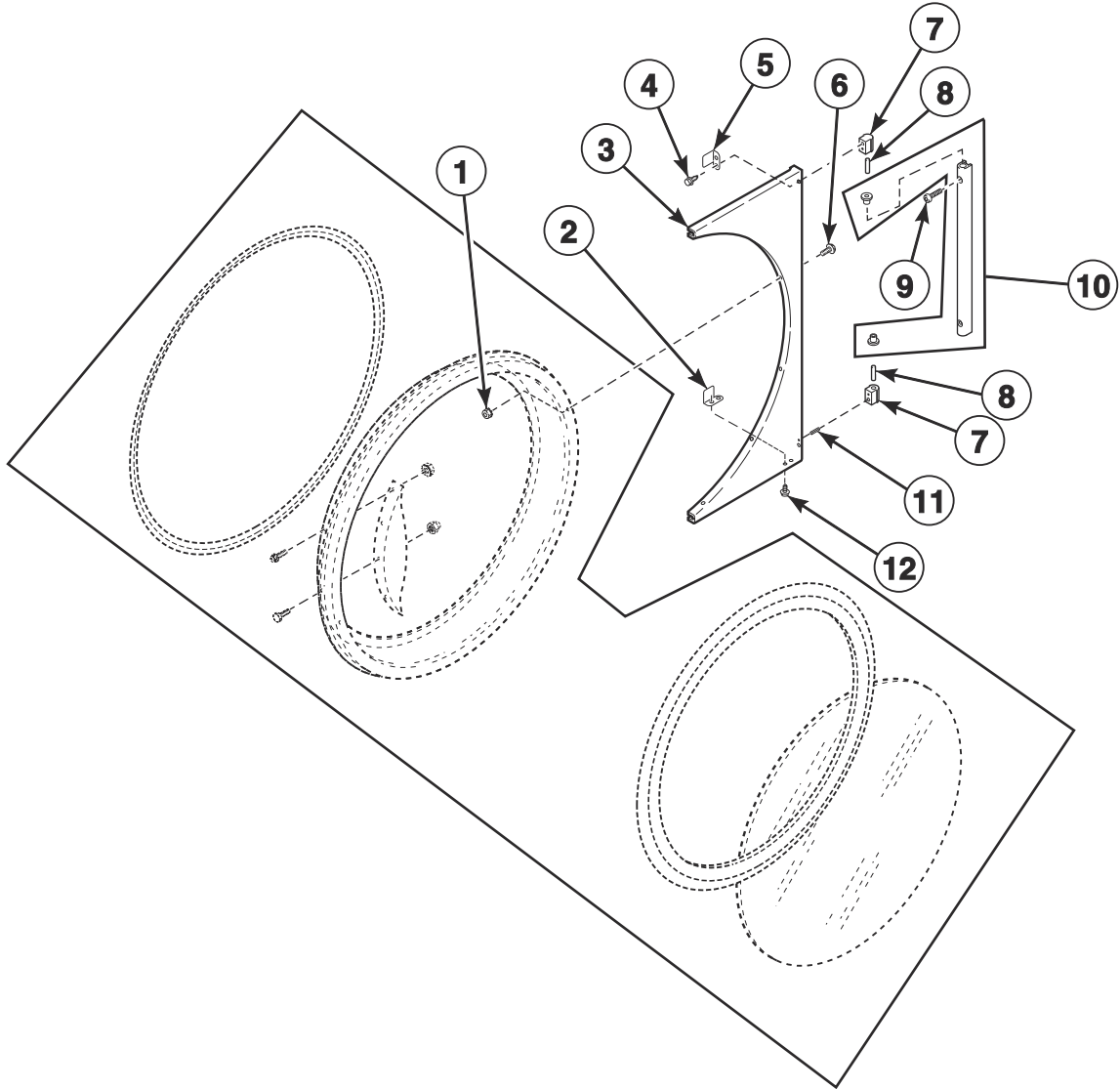


TMB3152PA_70591501

Door Components

REF	PART NO.	DESCRIPTION	COMMENTS
1	70296802	Door Ring Gasket	
2	44088001	Nut	B, H, M, N and S models; 4 required
3	70399501B	Handle Bar	G and K models
4	70211902P	Door Seal Kit	Use Loctite 414 for seal
5	44008402P	Door Glass	H models
	44008403	Door Glass	H models; Green trim
	44008401P	Door Glass	All other models
6	M4221P4	Door Glass Installation Tool	
7	70412601	Pop Rivet	G and K models; Attaches door handle to door ring
8	70409301	Washer	G and K models
9	70414001	Label	G and K models; Coin
10	M414215	Nut	For door strike; Mounts between door strike screw and door handle
11	44007901	Door Handle	B, M, N and S models
	44263801	Door Handle	U models; Use 901620 Screw, 800465 Washer, 803871 Screw and 44088001 Nut to attach
	70521102	Door Handle	H models
12	44326002	Door Ring Assembly	U models
	44326004B	Door Ring Assembly	B and N models
	44326005	Door Ring Assembly	H, M and S models; Chrome
	44326006	Door Ring Assembly	U models; Chrome
	44326007LG	Door Ring and Handle Assembly	P models; Light gray
	44326007B	Door Ring and Handle Assembly	P models; Includes handle; Use with stainless steel and white front panel
	44326003B	Door Ring Assembly	G and K models
	44326001	Door Ring Assembly	H, M and S models; Stainless steel
13	M400661	Screw	Door Strike
14	70442101	Screw	B, H, M, N and S models; 4 required

Hinge Components



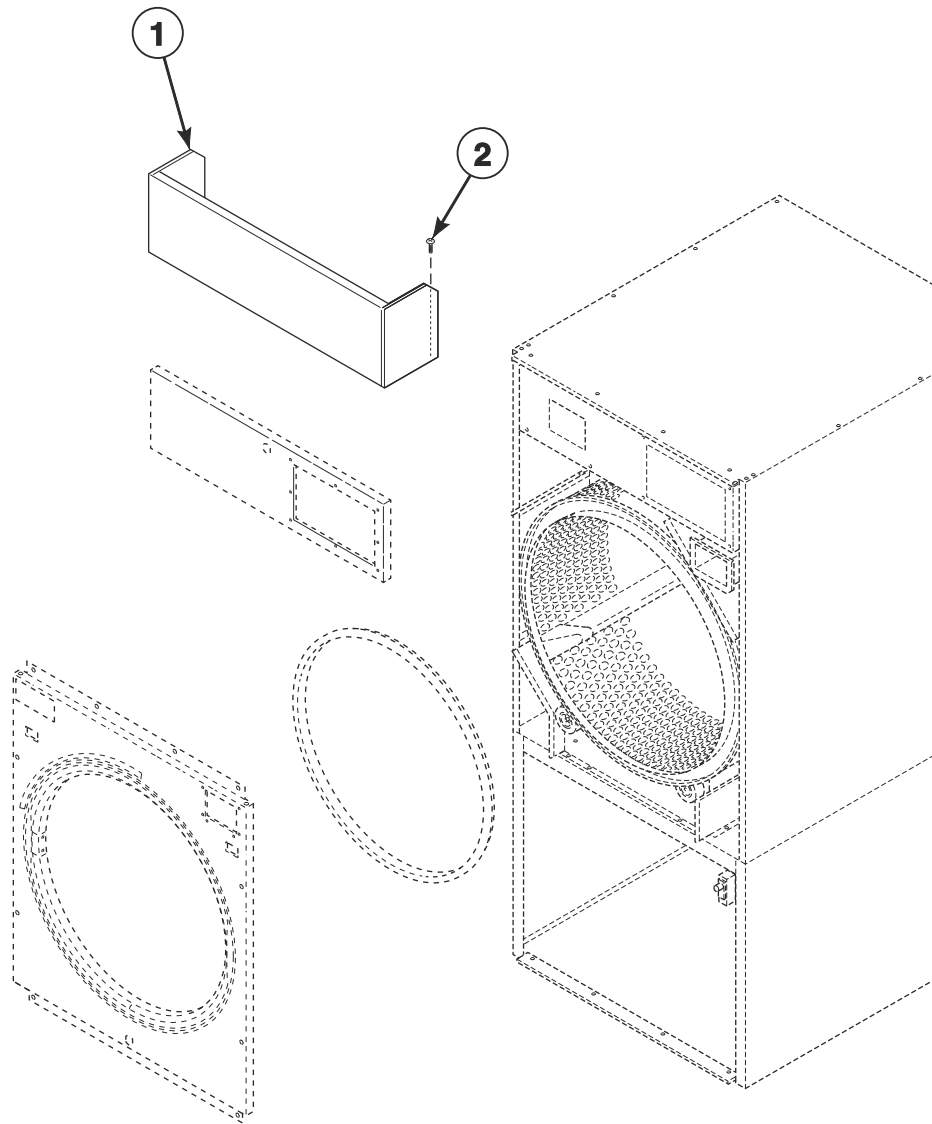
TMB3459P_70591501

Hinge Components

REF	PART NO.	DESCRIPTION	COMMENTS
1	44088001	Nut	
2	70532101	Door Switch Actuator	Bottom
3	44075205*	Door Hinge Assembly	H, M, N, S and U models
	44075212	Door Hinge Assembly	H, M, S and U models; Stainless steel
	44075209LG	Door Hinge Assembly	Light gray; P and U models
	44075209B	Door Hinge Assembly	Black; B, G, K and N models; P models with white and stainless steel front panel
4	70576101	Screw	
5	70532102	Door Switch Actuator	Top
6	M400044	Screw	
7	M4772P3	Cam and Hinge Kit	H, M, P, S and U models
	M4773P3	Cam and Hinge Kit	Black; B, G, K and N models; P models with white and stainless steel front panel
8	70071401	Pin	
9	70033502	Screw	H, M, P, S and U models
	70407301	Screw	Black; B, G, K and N models; P models with white and stainless steel front panel
10	44035001	Door Hinge Lug Assembly	H, M, P, S and U models
	44035002	Door Hinge Lug Assembly	Black; B, G, K and N models; P models with white and stainless steel front panel
11	70436301	Screw	
12	70058501	Pop Rivet	

* Add Letter To Designate Color. Q - Bisque W - White

False Fronts



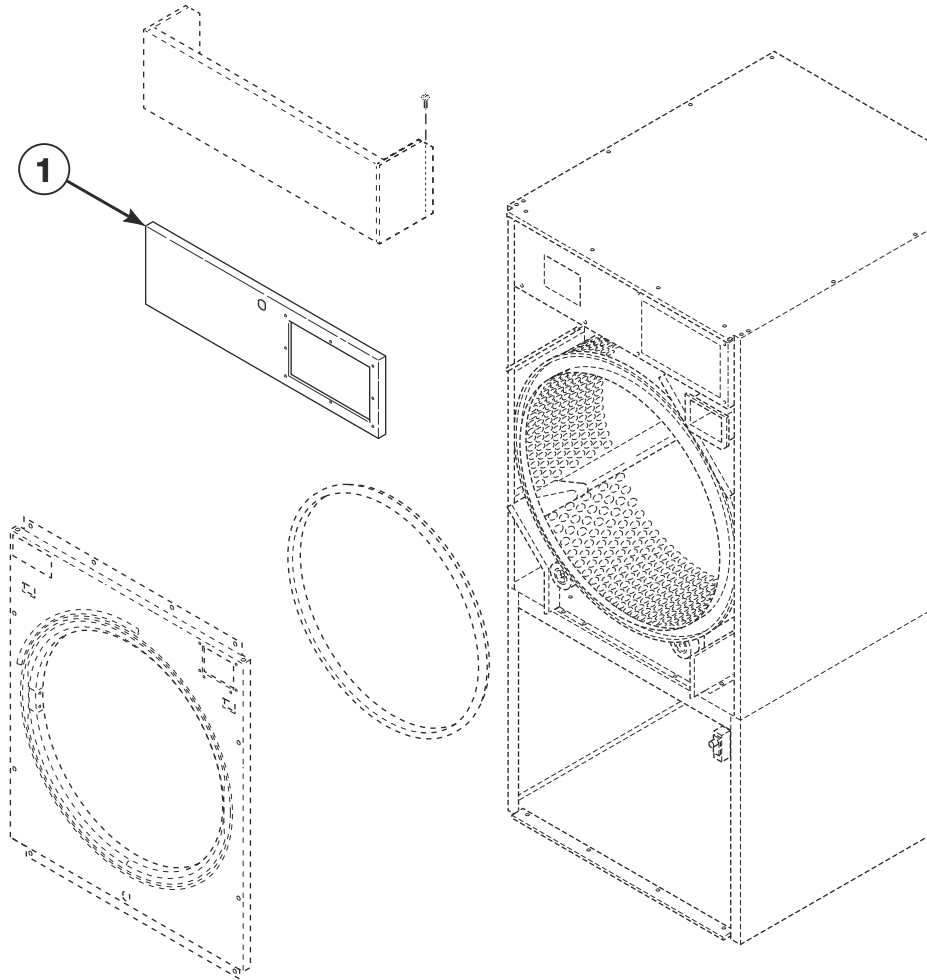
TMB3511P_70591501

False Fronts

REF	PART NO.	DESCRIPTION	COMMENTS
1	70405003DG	False Front	Dark gray; P models; 72 inches
	70405003LG	False Front	Light gray; U models; 72 inches
	70405001*	False Front	All other models except P models; 72 inches
	70405004	False Front	72 inches; Stainless steel
	70405103DG	False Front	Dark gray; P models; 76 inches
	70405103LG	False Front	Light gray; U models; 76 inches
	70405101*	False Front Assembly	All other models except P models; 76 inches
	70405104	False Front	76 inches; Stainless steel
2	M405188	Screw	4 required

* Add Letter To Designate Color. Q - Bisque W - White

Control Panels



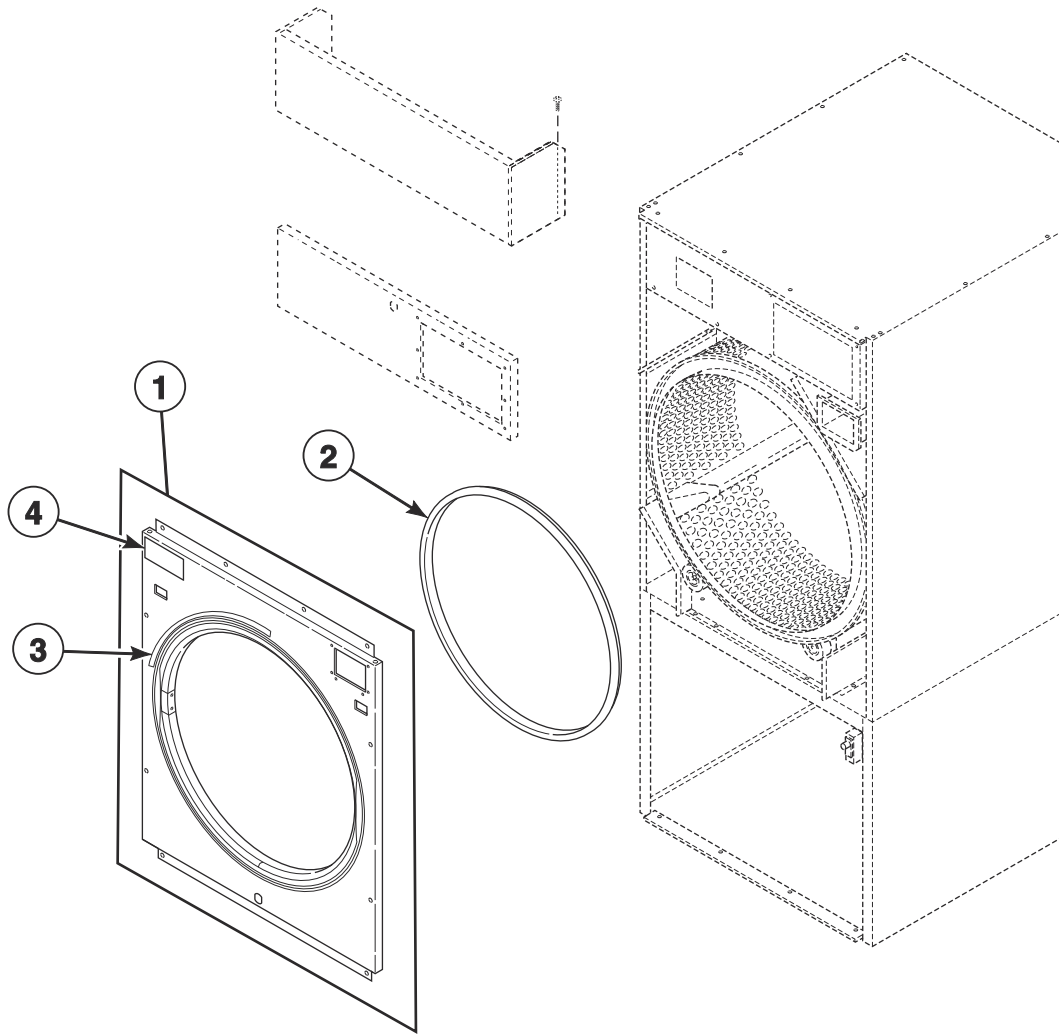
TMB3511PA_70591501

Control Panels

REF	PART NO.	DESCRIPTION	COMMENTS
1	70417108B	Control Panel	B models
	70417105*	Control Panel	G, K and U models
	70417113	Control Panel	G, K and U models; Stainless steel
	70376001*	Control Panel	S models
	70376008	Control Panel	S models; Stainless steel
	70417115LG	Control Panel	U models; Light gray
	70376014DG	Control Panel	P models; Dark gray
	70376003*	Control Panel	H, M, N and P models
	70376009	Control Panel	H, M, N and P models; Stainless steel

* Add Letter To Designate Color. Q - Bisque W - White

Front Panel Assemblies



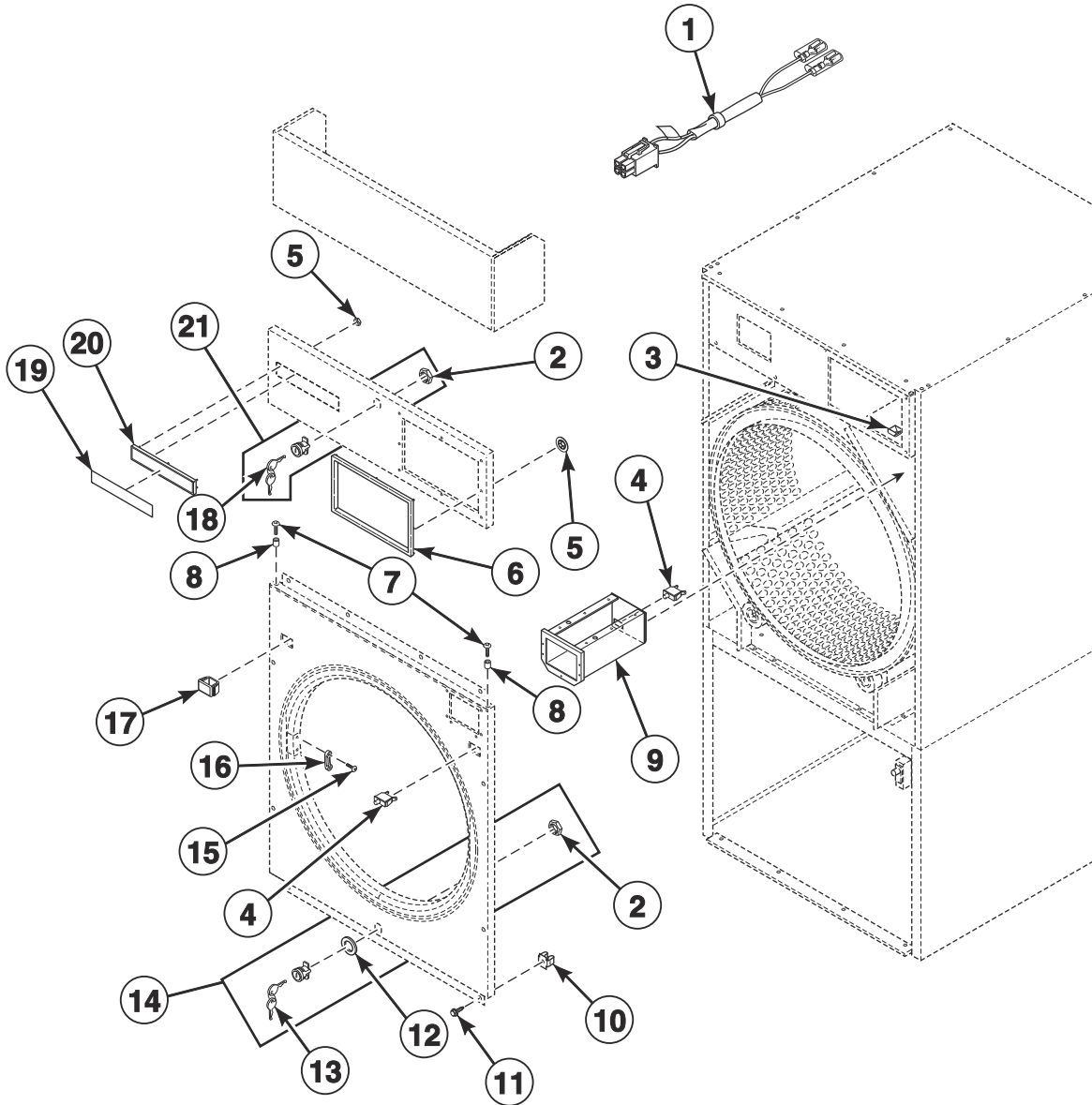
TMB3511PB_70591501

Front Panel Assemblies

REF	PART NO.	DESCRIPTION	COMMENTS
1	70524301*	Front Panel	All models except P and U models; Coin
	70524315DG	Front Panel	P models; Coin; Dark gray
	70524302	Front Panel	All models except P and U models; Coin; Stainless steel
	70524303*	Front Panel	All models except P and U models; Card and central pay
	70524316DG	Front Panel	P models; Card and central pay; Dark gray
	70524304	Front Panel	All models except P and U models; Card and central pay; Stainless steel
	70524320*	Front Panel	All models except P models; OPL
	70524322DG	Front Panel	P models; OPL; Dark gray
	70524322LG	Front Panel	U models; OPL; Light gray
	70524321	Front Panel	All models except P models; OPL; Stainless steel
2	70173401P	Front Panel Seal	
3	70534301	Warning Label	English
	70534302	Warning Label	French
	70534300	Label Kit	Warning; IEC models
4	70537001	Label	B, H, M, N, S and U models; C.A.R.E.
	70537101	Label	G and K models; F.S.S.
	44190901	Label	P models; Safe Tech

* Add Letter To Designate Color. Q - Bisque W - White

Cabinet Front Components

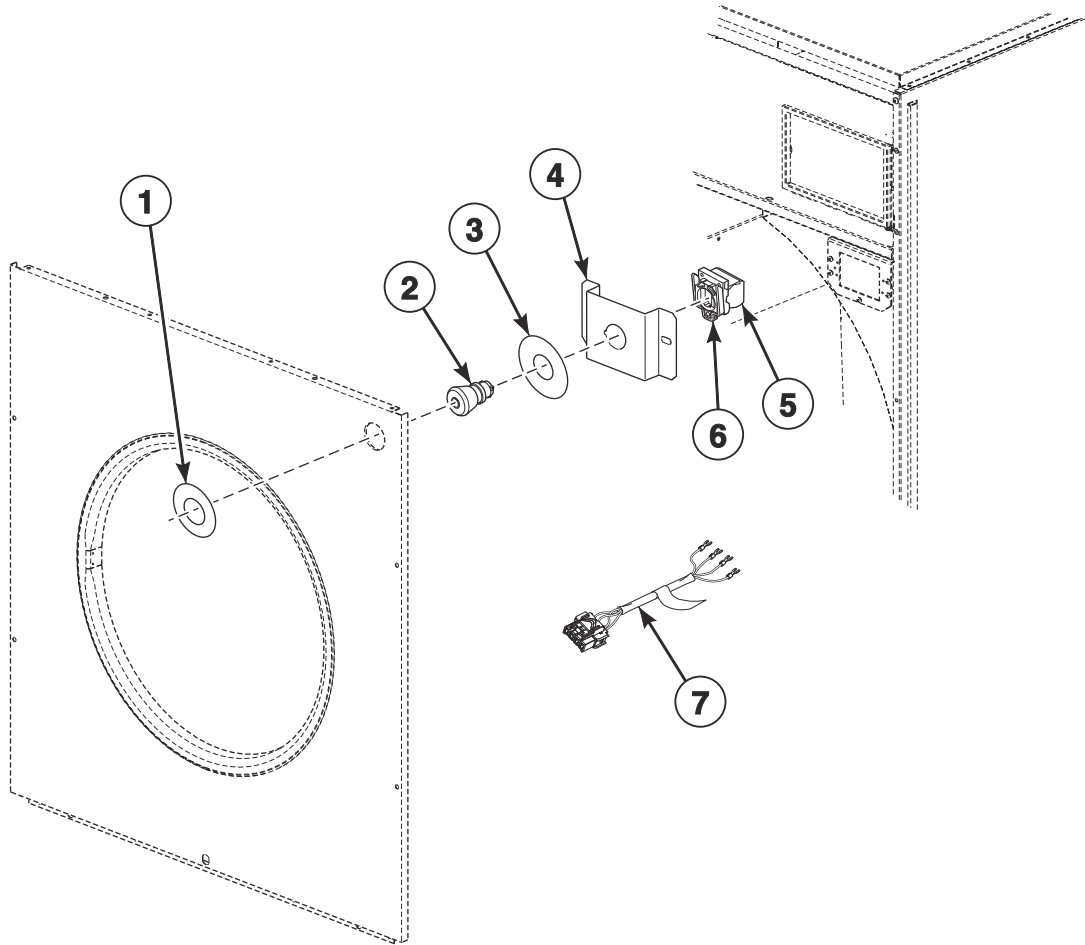


TMB3592P_70591501

Cabinet Front Components

REF	PART NO.	DESCRIPTION	COMMENTS
	44334103	Bypass Harness	Card and central pay
	D511476	Jumper Harness	Card reader present
1	44334101	Coin Vault Switch Harness	
2	44088801	Nut	
3	70296401	Coin Chute Assembly	
4	70413301	Pushbutton Switch	
5	M400977	Nut	S models; 6 required
6	70529401	Control Trim	H models; Gray
	44016401	Control Trim	K, M, N, P and S models; Black
7	39733	Screw	
8	56079	Panel Locator	9 required
9	70529501	Coin Vault Assembly	
	70529502	Coin Vault and Emergency Stop Mount Assembly	Models with emergency stop
	F160673P	Coin Box	Optional equipment; Includes lock and key
10	70030501	Expansion Clip	8 required
11	M411072	Screw	8 required
12	70342401	Lock Shim	
13	70155602	Key	RL002
14	44089302P	Lock, Key and Nut Kit	RL002
	44089305	Panel Lock	RL002; Chrome
15	44166601	Pop Rivet	
16	M401223	Door Latch	
17	44057801W	Switch Hole Plug	White
	44057801Q	Switch Hole Plug	Bisque
	44057801LG	Switch Hole Plug	U models; Gray
	44057801B	Switch Hole Plug	Black
18	70399406	Access Panel Trim	G and K models
	70399413	Access Panel Trim	G and K models; Coin
19	70155601	Key	RL001
20	70115601	Nameplate Overlay	S models
	F8443105	Nameplate	U models
	B12389801	Nameplate	B models
	70411401	Nameplate Overlay	G models; Coin
	70410201	Nameplate Overlay	G models; OPL
	44144401	Nameplate Overlay	K models; Coin
	44147101	Nameplate Overlay	K models; OPL
	567887	Nameplate	P models
21	70117401	Nameplate Bezel	S models
22	44089301P	Lock, Key and Nut Kit	RL001
	44089304	Panel Lock	RL001; Chrome

Emergency Stop Button

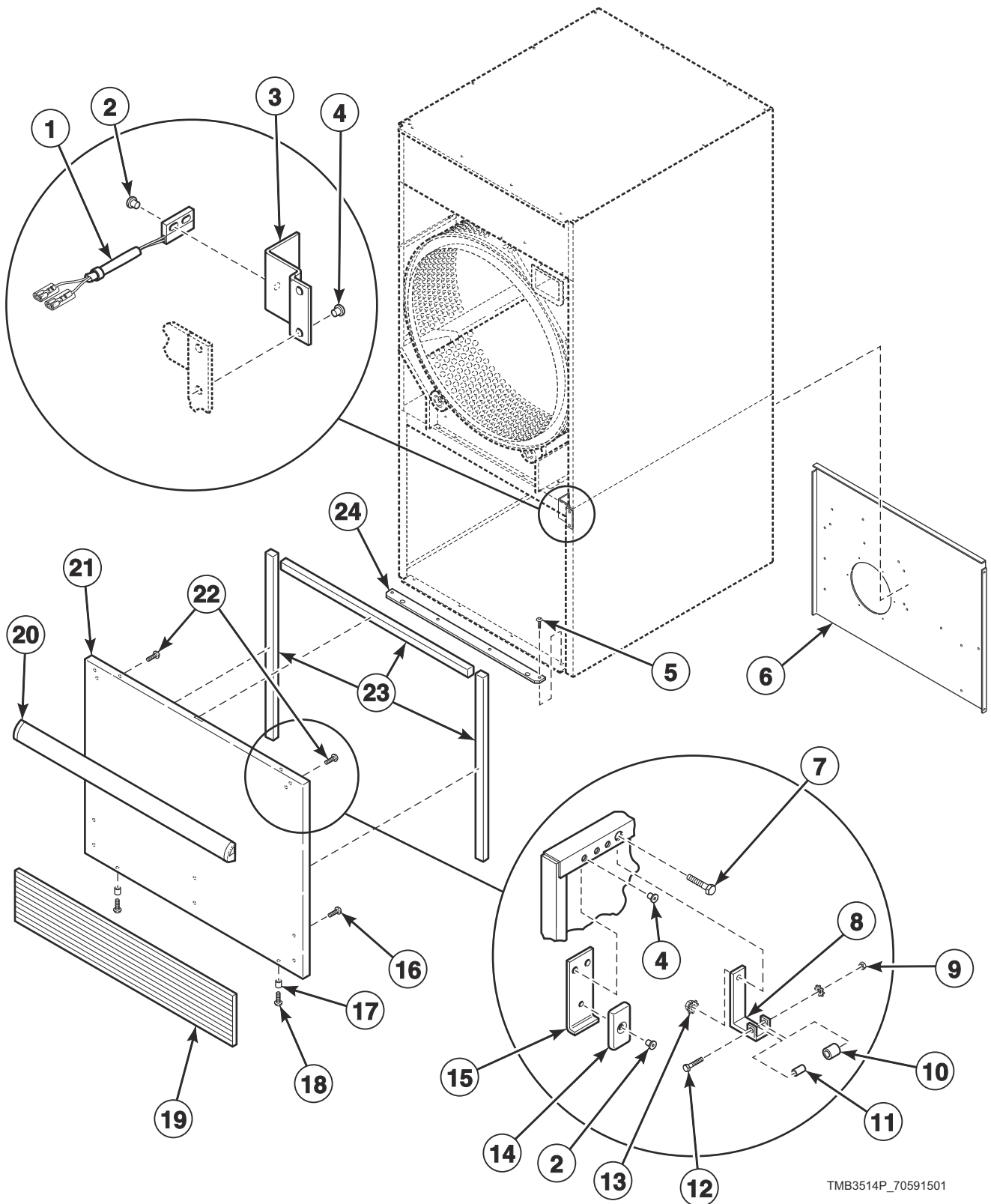


TMB3513P_70591501

Emergency Stop Button

REF	PART NO.	DESCRIPTION	COMMENTS
	70580301	Emergency Stop Button Kit	Includes items 2-4
	F8519403	Emergency Stop Bypass Harness	Coin, card and central pay
1	44012903	Emergency Stop Label	
2	F200233500	Emergency Stop Pushbutton	
3	44012901	Emergency Stop Label	
4	70550401	Emergency Stop Mounting Bracket	
5	F8069501	Contact Switch	2 required
6	F8538101	Contact Base	
7	44272401	Emergency Stop Harness	

Lower Cabinet Components



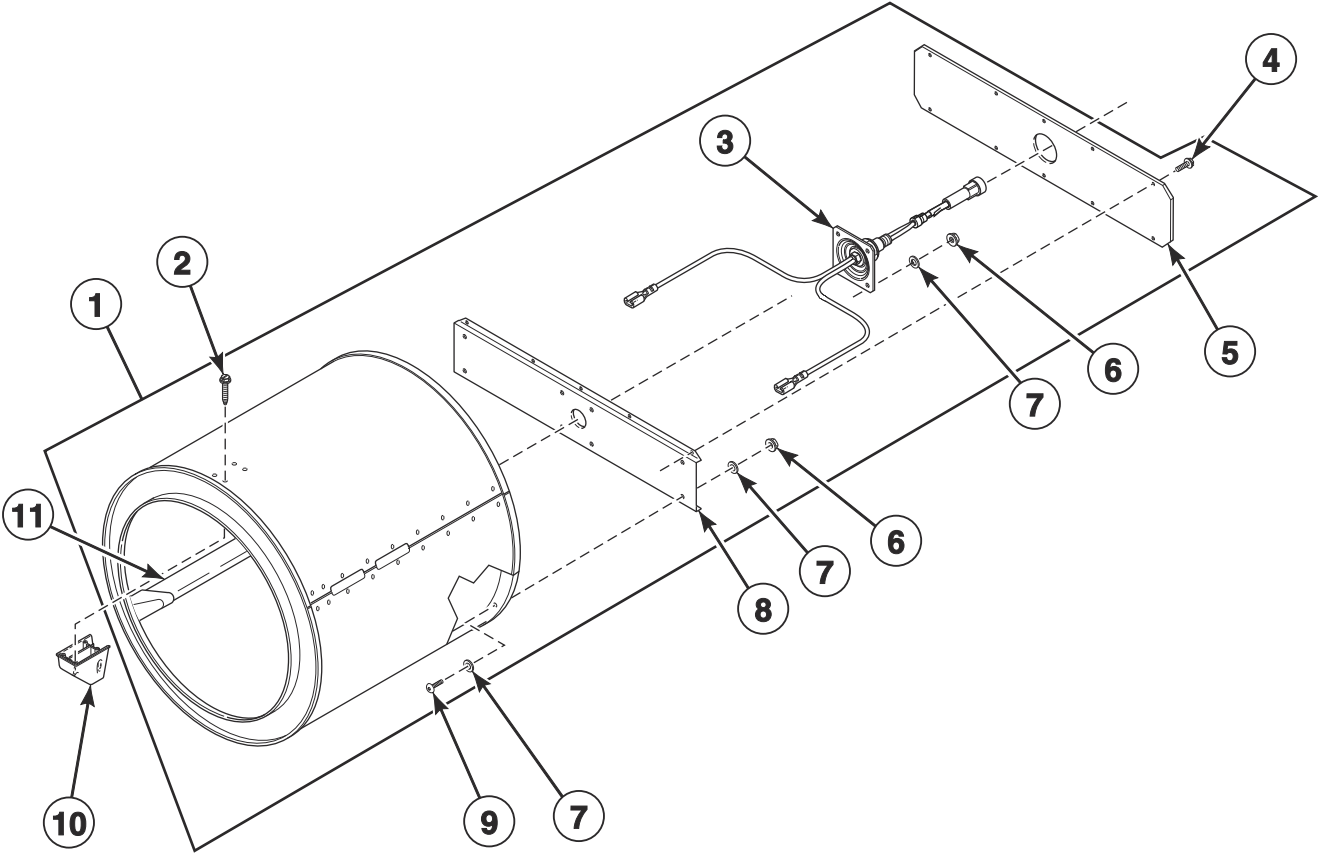
TMB3514P_70591501

Lower Cabinet Components

REF	PART NO.	DESCRIPTION	COMMENTS
1	F8066804	Reed Switch Assembly	
2	F8245101	Blind Rivet	
3	70508501	Switch Bracket	
4	70058501	Pop Rivet	
5	430497	Screw	
6	70564001	Rear Lint Panel	
7	70132301	Screw	Attaching roller catch
8	70030301	Roller Catch Arm	
9	23951	Nut	
10	70297601	Roller Catch Wheel	
11	70030201	Roller Catch Spacer	
12	70072801	Screw	
13	51236	Nut	Attaching roller catch
14	70343101	Magnet	
15	44290501	Magnet Bracket	
16	70126301	Pop Rivet	For attaching kickplate; Black; 6 required
	70126401	Pop Rivet	For attaching kickplate; Gray; 6 required
17	56079	Panel Locator	
18	39733	Screw	
19	70117622	Kickplate	H and U models; Dark gray
	70117613	Kickplate	All other models except H models; Black
20	70154411	Handle and Caps Assembly	B, M, N, S and U models; P models with white and stainless steel front panel; Black
	70407209	Handle Bumper	P models; Silver
	70154418	Handle and Caps Assembly	H and U models; Dark gray
	70407206	Handle Bumper	G and K models
21	70515601*	Lint Panel	All models except P models
	70515603LG	Lint Panel	U models; Light gray
	70515604DG	Lint Panel	P models; Dark gray
	70515602	Lint Panel	All models except B and P models; Stainless steel
	70515605	Lint Panel	B, P and S models; Stainless steel; No kickplate
22	430757	Screw	For attaching handle; 6 required
23	70289101P	Lint Panel Gasket	Sold per foot
24	70392101	Lint Panel Pivot Plate	

* Add Letter To Designate Color. Q - Bisque W - White

Cylinder and Trunnion Assembly

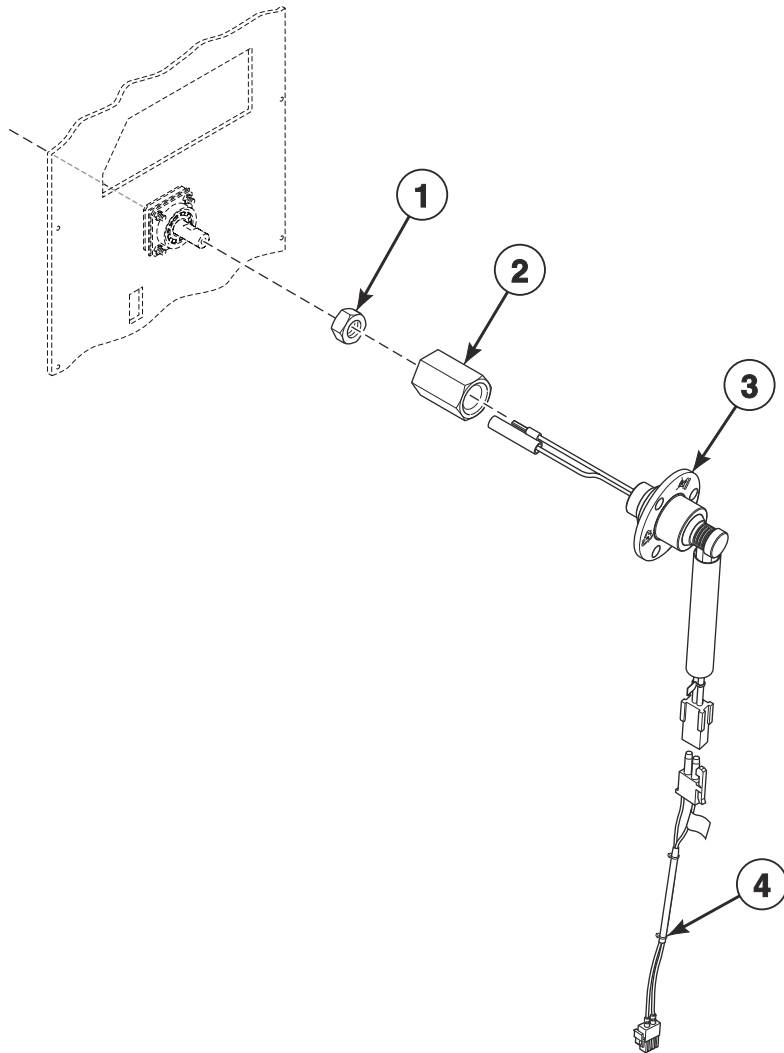


TMB3358P_70591501

Cylinder and Trunnion Assembly

REF	PART NO.	DESCRIPTION	COMMENTS
	70343101P	Drywall Screw Magnet Kit	
1	70408803	Cylinder Assembly	G and K models; Non-moisture sensing
	70444103	Cylinder and Trunnion Assembly	G and K models; Moisture sensing
	70408801P	Cylinder Assembly	All other models; Galvanized; Non-moisture sensing
	70444101	Cylinder and Trunnion Assembly	All other models; Galvanized; Moisture sensing
	70408802P	Cylinder Assembly	All other models; Stainless steel; Non-moisture sensing
	70444102	Cylinder and Trunnion Assembly	All other models; Stainless steel; Moisture sensing
2	62588	Screw	12 required
3	70564807	Trunnion and Seal Kit	Includes 70013702 Rear Cylinder Seal; Non-moisture sensing
	70564808	Trunnion and Seal Kit	Moisture sensing; Includes 70454601 Trunnion and Wire Assembly
4	430497	Screw	10 required
5	70305301	Rear Cylinder Channel Plate	
6	44087201	Nut	8 required
7	70411301	Washer	
8	70305201	Rear Cylinder Channel	Non-moisture sensing
	70305202	Rear Cylinder Channel	Moisture sensing
9	70391101	Screw	8 required
10	70070101	End Cap	Non-moisture sensing
	70070102	End Cap	Moisture sensing
11	70433004	Cylinder Rib Assembly	Moisture sensing

Moisture Sensing Components

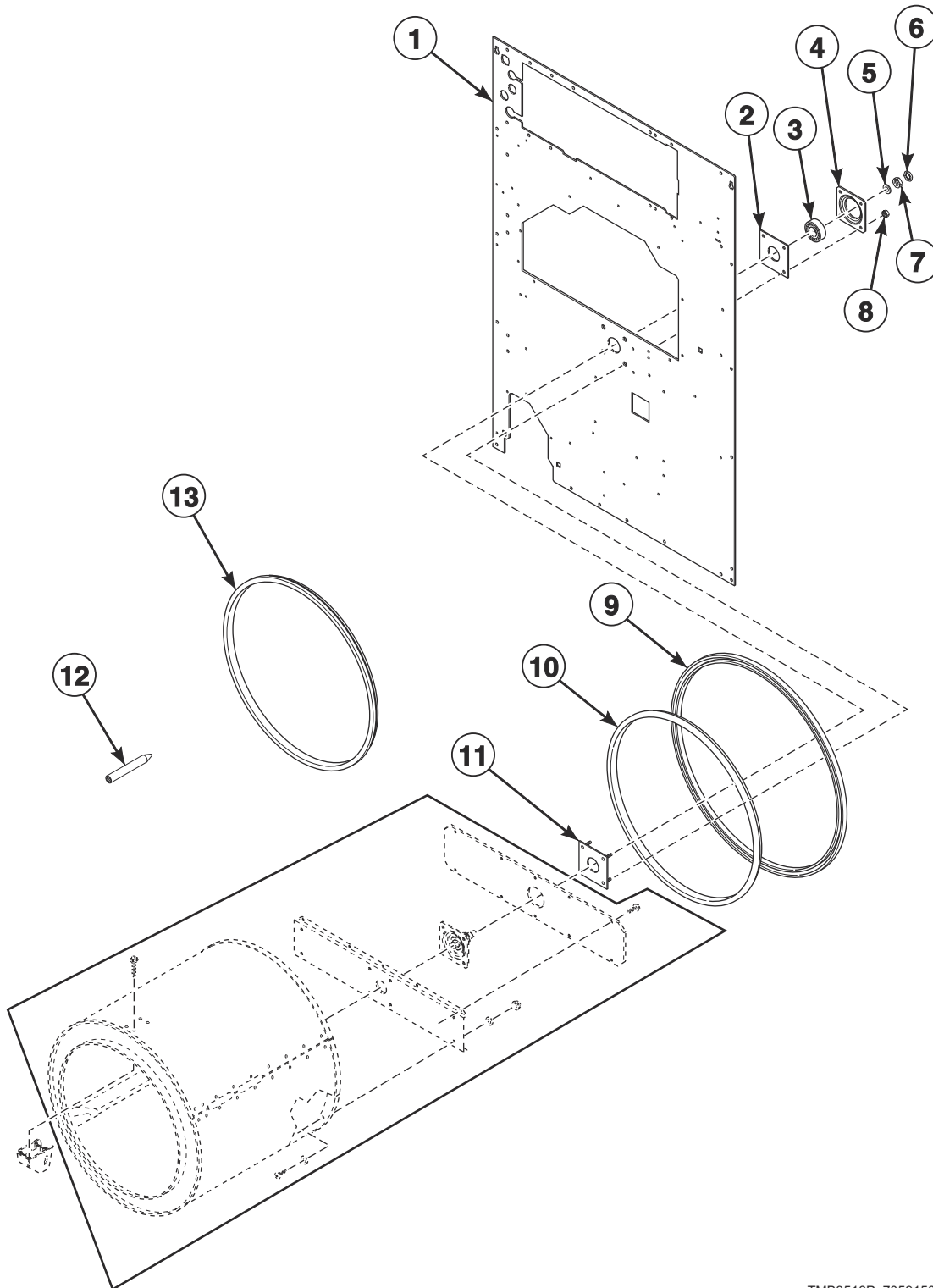


TMB3147P_70591501

Moisture Sensing Components

REF	PART NO.	DESCRIPTION	COMMENTS
1	M400022	Nut	
2	70455401	Slip Ring Holder	
3	44222701	Slip Ring Assembly	
4	44333903	Moisture Sensor Harness	

Cylinder Components

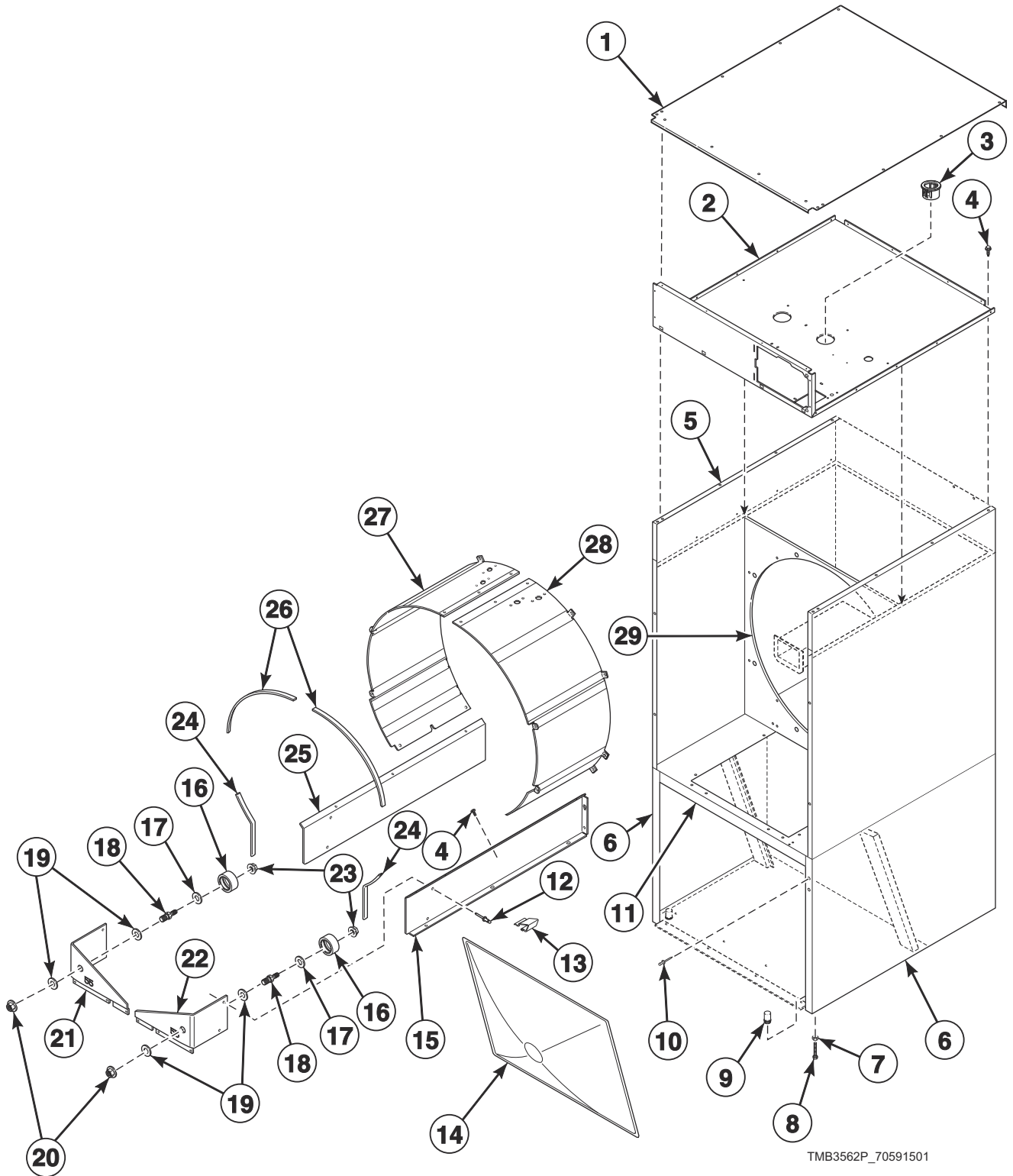


TMB3516P_70591501

Cylinder Components

REF	PART NO.	DESCRIPTION	COMMENTS
	70343101P	Drywall Screw Magnet Kit	
	430260P	Support Housing Bearing Assembly	Includes items 3, 4 and Loctite
1	70561601	Rear Panel	Gas models
	70561603	Rear Panel	Gas models; With fire suppression
	70561602	Rear Panel	Electric models
2	70355001	Rear Bearing Shim	
3	70448701	Support Bearing	
4	70013901	Rear Cylinder Bearing Housing	
5	M400991	Washer	
6	M400034	Nut	
7	M400022	Nut	
8	M412986	Nut	4 required
9	70506403	Rear Cylinder Seal Support	
10	70013704P	Rear Cylinder Seal	Use with D511637P Adhesive
11	430352	Cylinder Bearing Stud Plate Assembly	
12	263P4	Cylinder Guide Tool	
13	70066005	Center Cylinder Seal	

Cabinet Components



TMB3562P_70591501

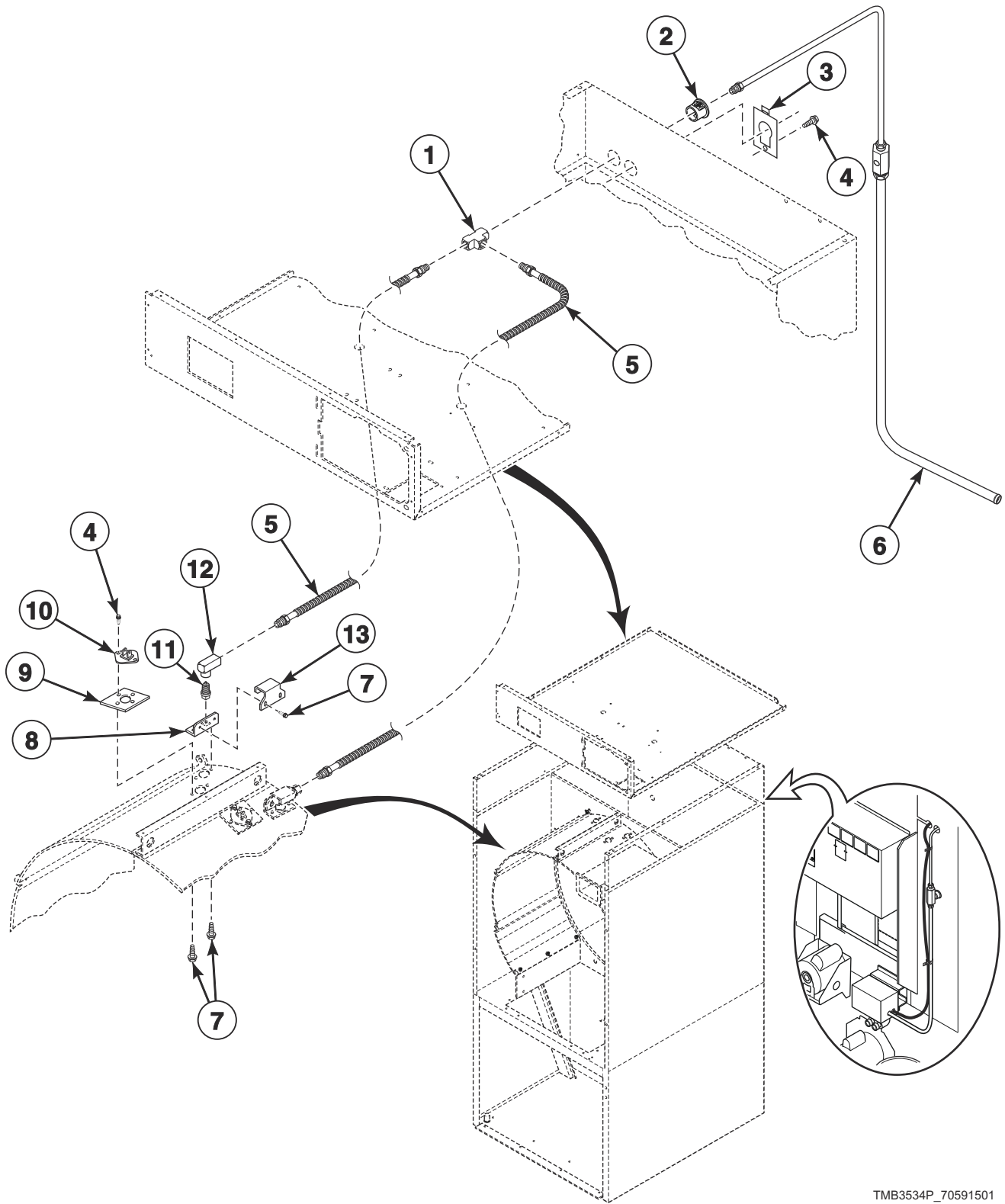
Cabinet Components

REF	PART NO.	DESCRIPTION	COMMENTS
	M4379P4	Tumbler Dolly Kit	
	298P4P	Spray Paint	White
	381P4	Spray Paint	Bisque
	122P4P	Porcelain Touch-Up Paint	White
	370P4P	Porcelain Touch-Up Paint	Bisque
1	70557801	Top Panel	
2	70555501	Top Pan	
3	70346501	Bushing	
4	430497	Screw	
5	70378701DG	Side Panel	Dark gray; P models; Upper
	70378701LG	Side Panel	Light gray; U models; Upper
	70378701*P	Side Panel	All models except P models; Upper
6	70378801DG	Side Panel	Dark gray; P models; Lower
	70378801LG	Side Panel	Light gray; U models; Lower
	70378801*P	Side Panel	All models except P models; Lower
7	21899	Nut	
8	70247701	Screw	
9	70063201	Hole Plug	
10	70058501	Pop Rivet	16 required; Upper side panel
11	70562401	Center Pan	
12	70058502	Pop Rivet	
13	35865	Hold-Down Clip	
14	44063601	Lint Screen	
15	70575401	Air Duct	Right
16	70568201	Roller and Seal Kit	
17	70443601	Roller Seal	
18	70249501	Roller Shaft	
19	70261401	Washer	
20	70288801	Nut	
21	70326104	Roller Support Bracket	Left
22	70326103	Roller Support Bracket	Right
23	430576	Nut	
24	70015707	Sheet Metal Edge Gasket	Lower
25	70575402	Air Duct	Left
26	70015710	Sheet Metal Edge Gasket	Upper
27	70432308	Cylinder Shroud	Left; With fire suppression
	70378002	Cylinder Shroud	Left
28	70432307	Cylinder Shroud	Right; With fire suppression
	70378001	Cylinder Shroud	Right
29	70376801	Center Partition	

* Add Letter To Designate Color. Q - Bisque W - White

Fire Suppression System Components

B, G, H, K, P, S, and U Gas Models



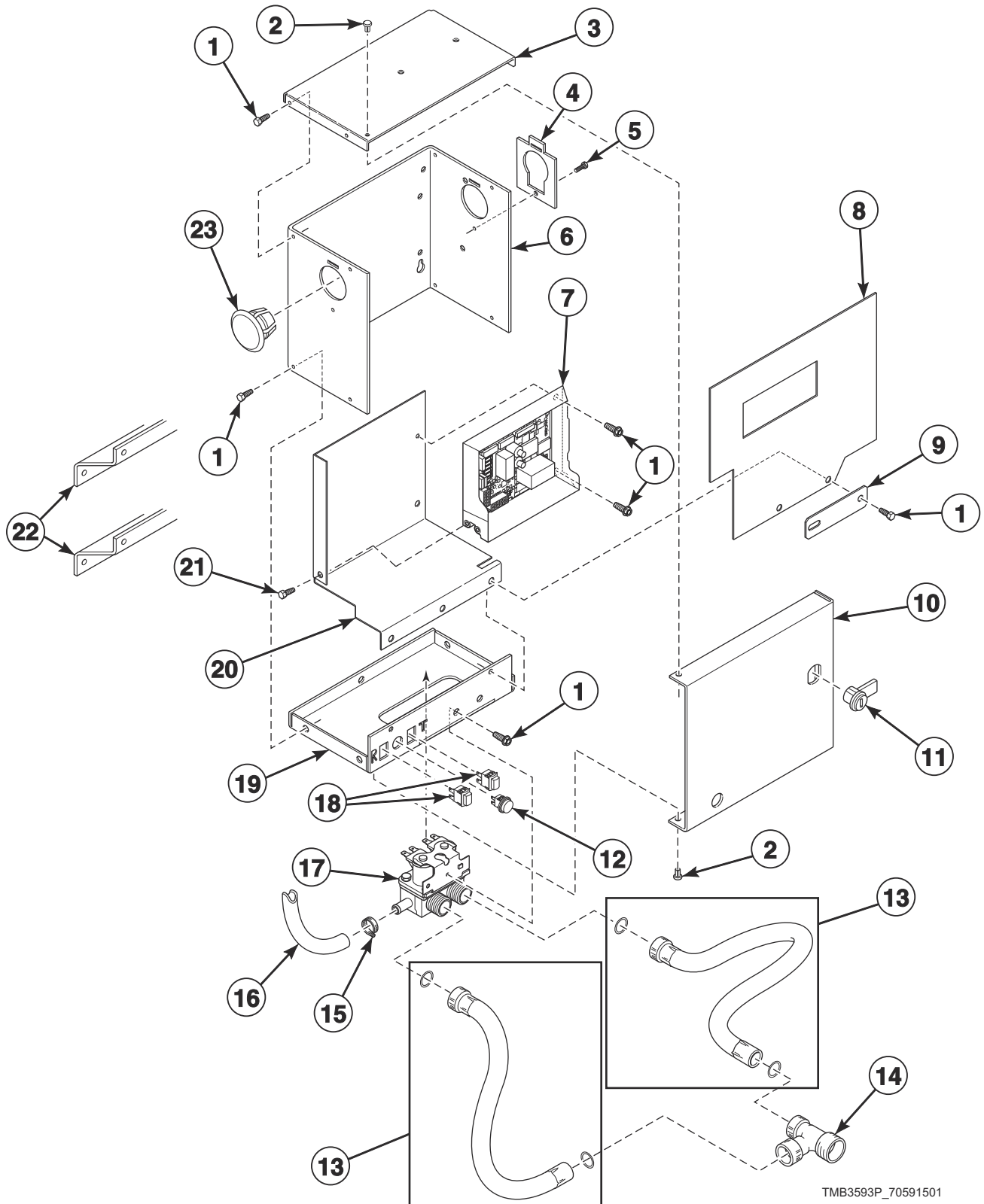
TMB3534P_70591501

Fire Suppression System Components

REF	PART NO.	DESCRIPTION	COMMENTS
1	70427901	Union Tee	
2	70178701	Snap Bushing	
3	70523301	Harness Adapter Plate	
4	51780	Screw	4 required
5	70427701	Spray Nozzle Hose	2 required
6	70427601	Tube Assembly	
7	430497	Screw	12 required
8	70424201	Nozzle Bracket	2 required
9	70424401	Thermistor Plate	2 required
10	44064701	Thermistor	2 required
11	70427801	Spray Nozzle	2 required
12	70428101	Elbow	2 required
13	70428601	Nozzle Bracket	2 required

Fire Suppression System Control Box

B, G, H, K, P, S, and U Gas Models

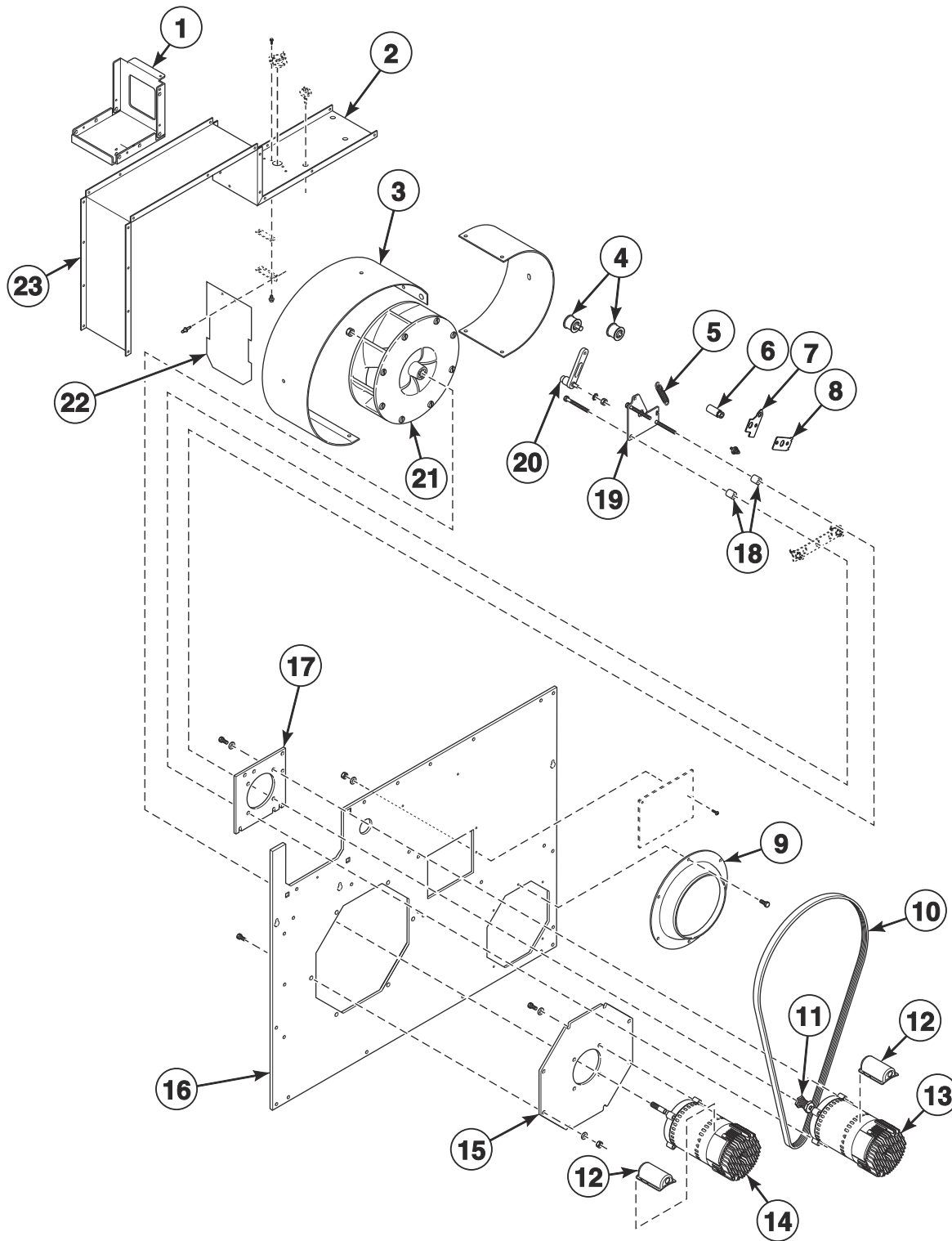


TMB3593P_70591501

Fire Suppression System Control Box

REF	PART NO.	DESCRIPTION	COMMENTS
	44340301	Cold Weather Kit	
	70155601	Key	RL001; Use with item 11
	44334404	Control Harness	
	44334405	Water Valve Harness	
	44334402	Power Sensor Harness	
	44334401	Interconnect Harness	
	44334406	Sensor Harness	
	44324501	Warning Label	F.S.S.; CSA models
	44324500	Label Kit	F.S.S.; IEC models
	F8614401	Shock Warning Label	CSA models
	F8614201	Shock Warning Label	IEC models
	44318200	Label Kit	IEC models
	44324502	Warning Label	
	44318201	Label	CSA models
1	430497	Screw	
2	M400713	Drive Rivet	
3	44307101	Control Box Top	
4	70523301	Harness Adapter Plate	
5	51780	Screw	
6	44306701	Control Box Housing	
7	70511601	Control	
8	44326801	Shield	
9	70551701	Filter Mounting Plate	
10	44065201	Control Box Cover	
11	44089301P	Lock, Key and Nut Kit	RL001 key code; Optional if same key is to be used for control lock
12	801432	Light	
13	202799	Fill Hose	2 required
14	44069101	Hose Fitting	CSA models
15	36801	Hose Clamp	
16	44073304	Hose	14 inches; Outlet hose
17	70519801	Mixing Valve	
18	801434W	Push-to-Start Switch	2 required
19	44065301	Control Box Base	
20	44306601	Mixing Valve Shield Bracket	
21	804608	Screw	
22	70601401	Mounting Bracket	
23	70180001	Plug	

Motor Components

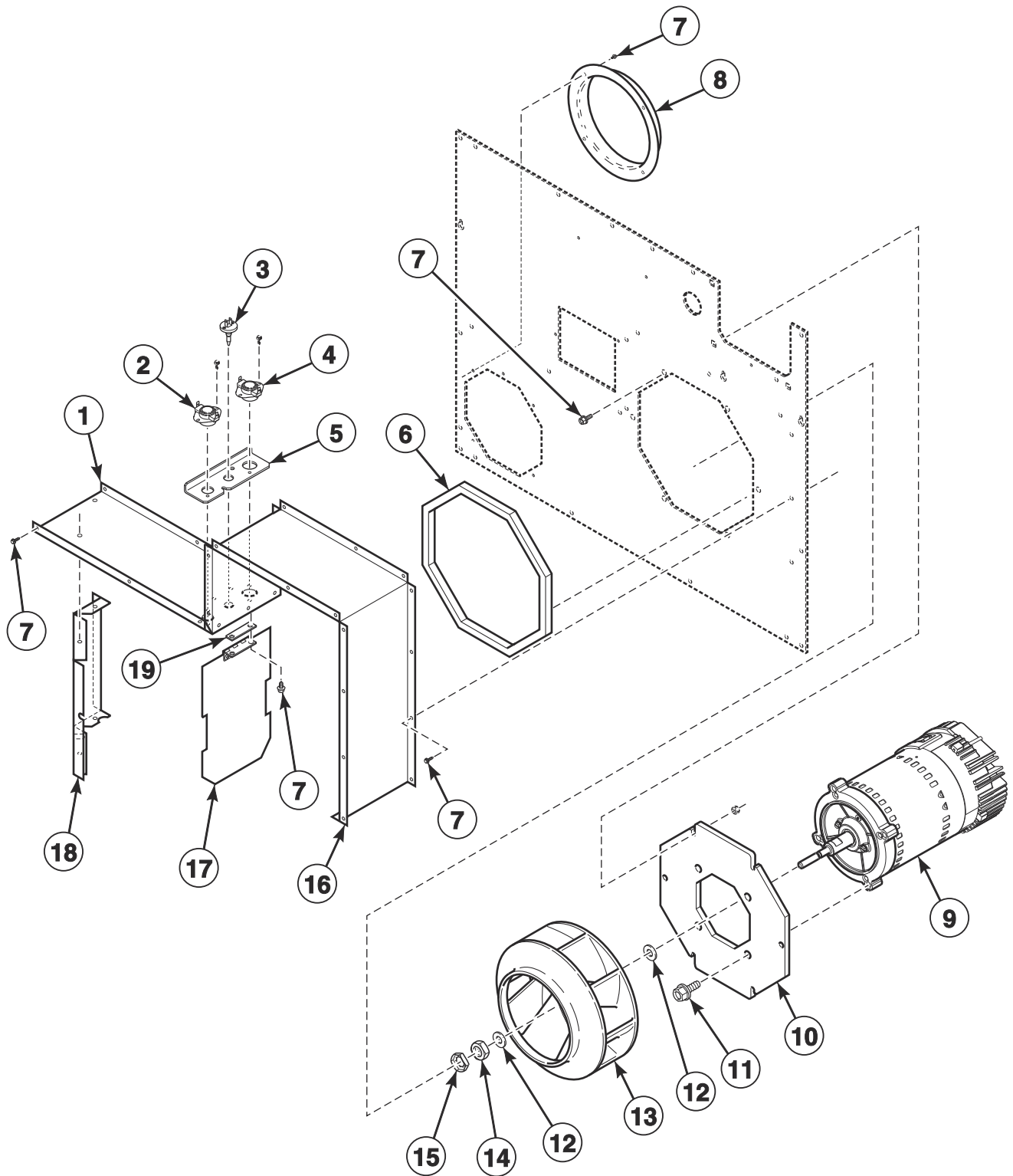


TMB3519P_70591501

Motor Components

REF	PART NO.	DESCRIPTION	COMMENTS
	44333202	Nut	Use with item 11
	70144101	Key	Use with idler shaft
	70554901	Limit Access Bracket	Use with idler shaft
	44335301	Inverter Motor Harness	Cylinder
	44335302	Inverter Motor Harness	Fan
1	70564102	Motor Mount Bracket	
2	70554801	Blower Housing	Top
3	70016301	Blower Housing Scroll	
4	70050401P	Idler Wheel Assembly	
5	70571801	Spring	
6	70569603	Standoff	
7	70569501	Tensioning Bracket	
8	70543401	Spring Catch Bracket	
9	70015601	Exhaust Thimble	
10	70276207	V-Belt	
11	70559101	Motor Pulley	
12	70521901	Motor Conduit Mounting Bracket	
13	70478601	Drive Motor	.33 HP; 120, 230 Volt/1 Phase
	70485001	Drive Motor	.33 HP; 460 Volt/3 Phase
14	70478701	Fan Motor	.50 HP; 120, 230 Volt/1 Phase
	70484901	Fan Motor	.50 HP; 460 Volt/3 Phase
15	70349601	Blower Motor Mounting Plate	
16	70500901	Lower Rear Assembly	
17	70564201	Motor Mount Plate	
18	70488403	Spacer	
19	70571901	Drive Plate	
20	70543301	Pivot Arm Lever	
21	70359801P	Blower Assembly	
22	70209501	Damper and Hinge Exhaust Assembly	
23	70215101	Blower Housing	

Blower and Exhaust Components

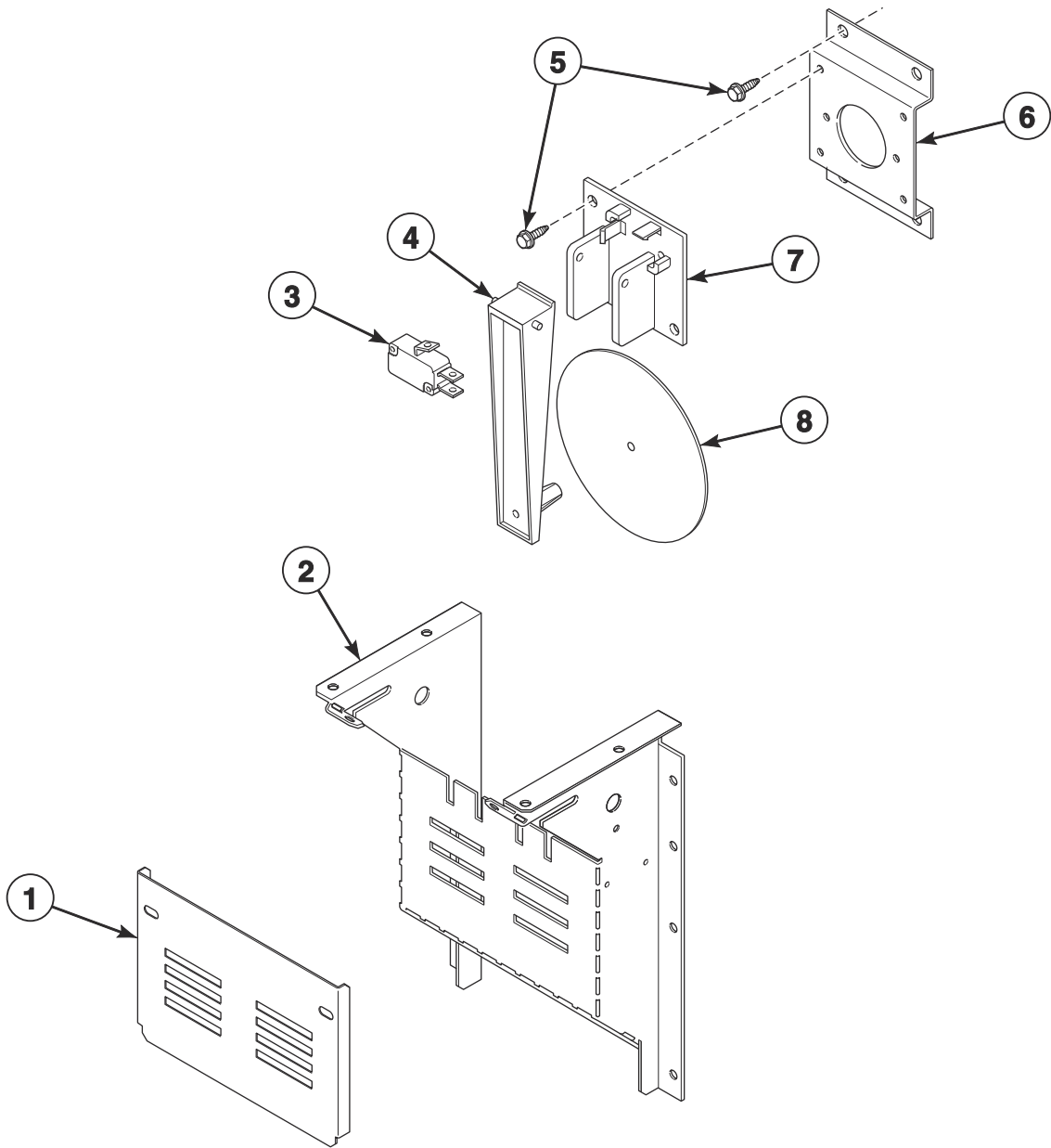


TMB3533P_70591501

Blower and Exhaust Components

REF	PART NO.	DESCRIPTION	COMMENTS
1	70554801	Blower Housing	Top
2	70530901	Limit Thermostat	Manual reset
3	M414704	Thermistor	
4	44328001	Limit Thermostat	Auto reset
5	70554901	Limit Access Bracket	
6	70392701P	Gasket	For blower housing opening
7	430497	Screw	
8	70303101	Blower Inlet Cone	
9	70478701	Fan Motor	.50 HP; 120, 230 Volt/1 Phase
	70484901	Fan Motor	.50 HP; 460 Volt/3 Phase
10	70349601	Blower Motor Mounting Plate	
11	70126101	Screw	
12	M400991	Washer	
13	70302201P	Blower Assembly	
14	M400022	Nut	
15	M400034	Nut	
16	70215101	Blower Housing	
17	70209501	Damper and Hinge Exhaust Assembly	
18	70376201	Blower Housing	Right
19	70220901	Damper Spacer	

Airflow Switch

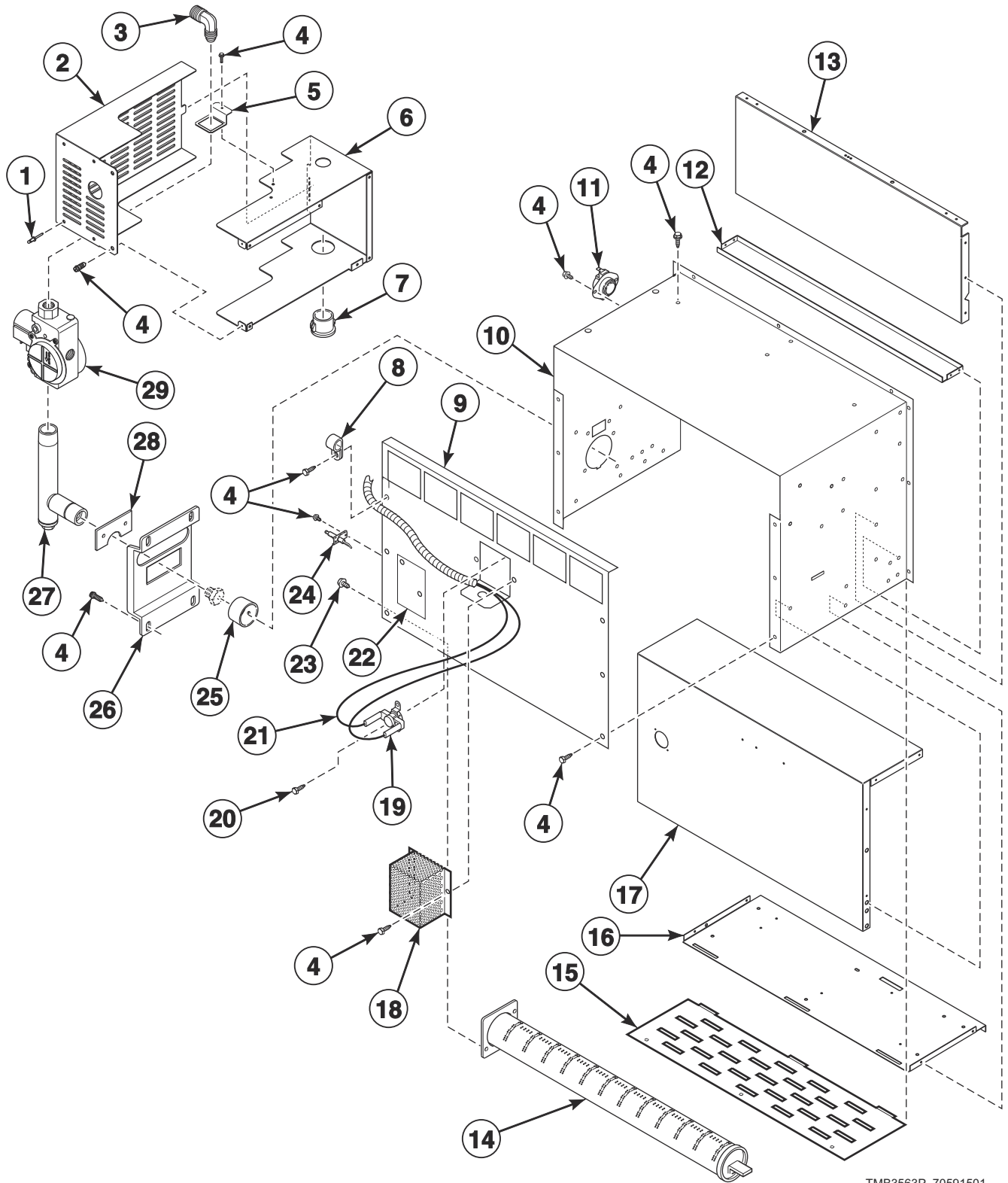


TMB3126P_70591501

Airflow Switch

REF	PART NO.	DESCRIPTION	COMMENTS
1	70356601	Airflow Switch Cover	Non-moisture sensing
	70465701	Airflow Switch Cover	Moisture sensing
2	70356101	Airflow Switch Wrapper	
3	70411901	Switch	
4	70319401	Airflow Switch Arm	
5	430497	Screw	
6	70356301	Switch Bracket	
7	70319601	Airflow Switch and Arm Bracket	
8	70319201	Airflow Switch Vane	

Gas Heater Components

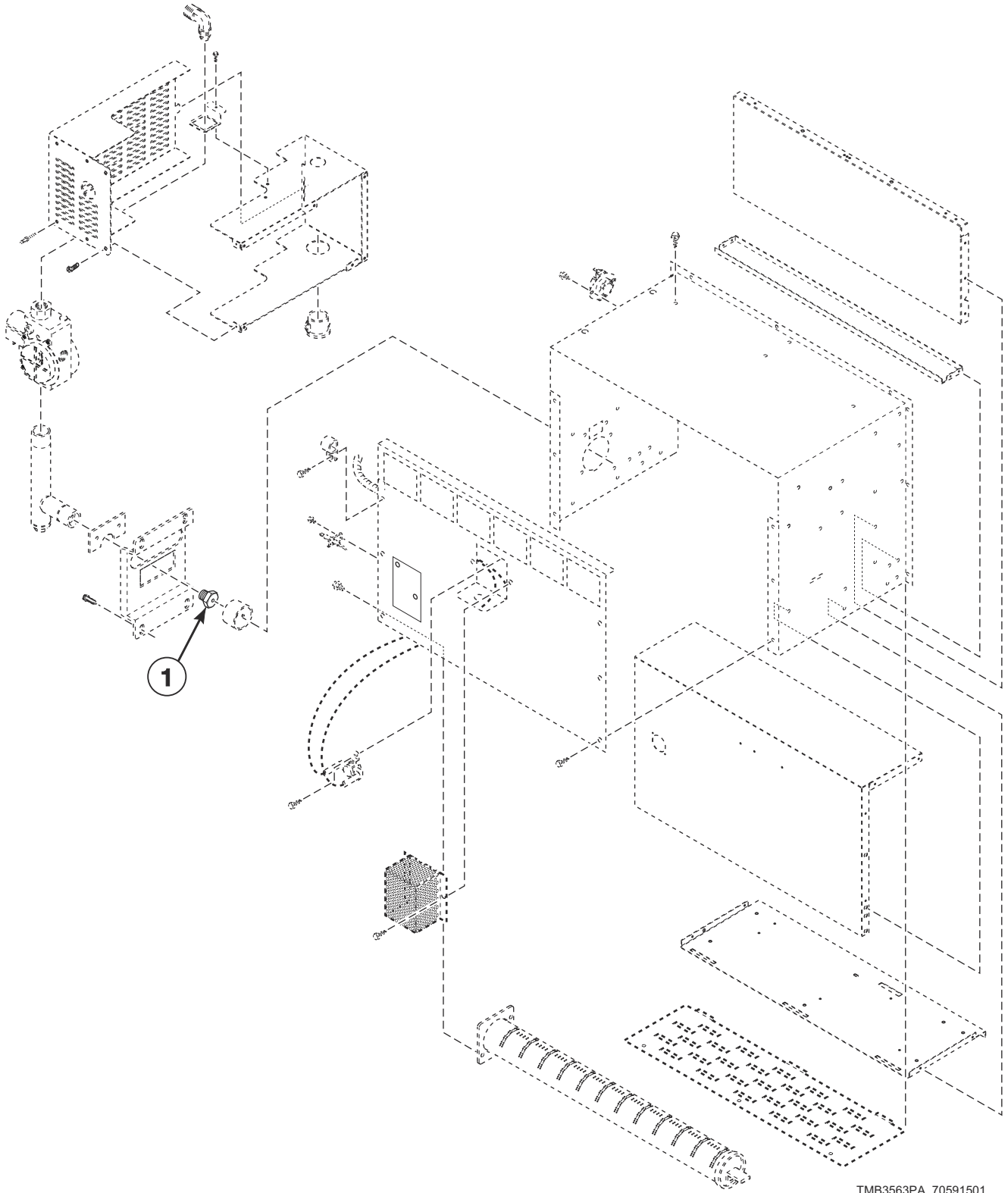


TMB3563P_70591501

Gas Heater Components

REF	PART NO.	DESCRIPTION	COMMENTS
	44273501	Gas Valve Harness	
	70346801	Pipe Plug	CSA models
	70550204	L.P. Conversion Kit	CSA and AGA models; Natural Gas (N.G.); 0-2,000 feet
	70551904	L.P. Conversion Kit	IEC models; N.G.; 0-2,000 feet
	70131901	Adapter	IEC models; BPT/NPT
	70167601	Plug	IEC models
	70535901	Notice Label	Australian models; N.G.
	70544901	Notice Label	Australian models; Liquid Petroleum (L.P.) Gas
	44239702	High Voltage Suppression Cable	
1	70058501	Pop Rivet	4 required
2	70282401	Rear Valve Cover	
3	H86070034	Street Elbow	
4	430497	Screw	10 required
5	70502601	Valve Support Bracket	
6	70328201	Forward Valve Cover	
7	M400770	Snap Bushing	
8	70203701	Pipe Clip	
9	70396801	Stove Back	
10	70396301	Stove Top and Sides	
11	44328005	Limit Thermostat	Side
12	70400601	Stove Deflector	Front lower
13	70396501	Stove Deflector	3 required
14	70396201P	Gas Burner	
	70546702	Anti-Rattle Burner Assembly	Includes 70396201P Gas Burner, 431318 Control Door Latch and M400003 Pop Rivet
15	70396701	Burner Grill	
16	70396601	Lower Stove Cover	
17	70396401	Inner Stove Partition	
18	M414477	Thermostat Cover	
19	44328104	Limit Thermostat	Rear
20	M405188	Screw	2 required
21	70564301	Stove Limit Harness	
22	70159601	Igniter Cover	
23	05161	Screw	
24	70548701P	Spark Electrode	
25	70239801	Primary Air Adjustment Sleeve	L.P. models
26	70248901	Orifice Holder Bracket	
27	70435901P	Orifice Adapter	
28	70249001	Orifice Keeper Bracket	
29	44154503	N.G. Valve	CSA models
	44154504	L.P. Valve	CSA models
	44154507	Gas Valve	IEC models; N.G.; 1/2 NPT
	44154508	Gas Valve	IEC models; L.P.; 1/2 NPT

Burner Orifices

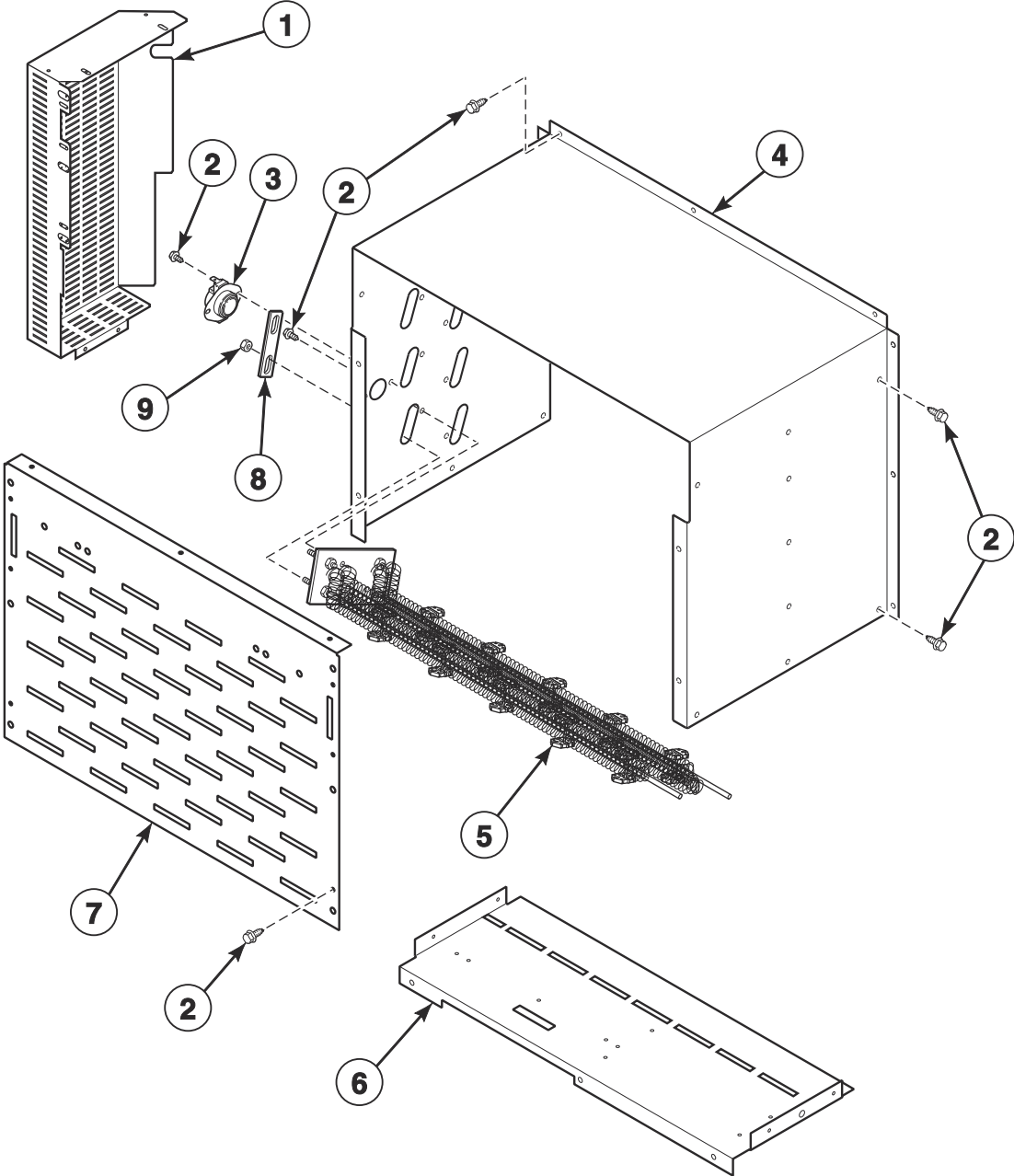


TMB3563PA_70591501

Burner Orifices

REF	PART NO.	DESCRIPTION	COMMENTS
1	M402981	Burner Orifice	Classic models; Natural Gas (N.G.); Drill no. 9 (4.98 mm); 0-2,000 feet
	M411510	Burner Orifice	Classic models; N.G.; Drill no. 13 (4.70 mm); 2,001-4,000 feet
	M411511	Burner Orifice	Classic models; N.G.; Drill no. 15 (4.57 mm); 4,001-6,000 feet
	M411374	Burner Orifice	Classic models; N.G.; Drill no. 17 (4.39 mm); 6,001-8,000 feet
	M402995	Burner Orifice	Classic models; N.G.; Drill no. 19 (4.22 mm); 8,001-10,000 feet
	M401017	Burner Orifice	Classic models with 2nd digit A, G, H, J, K, L and T; Liquid Petroleum Gas (L.P.); Drill no. 31 (3.05 mm); 0-2,000 feet
	M401022	Burner Orifice	Classic models with 2nd digit A, G, H, J, K, L and T; L.P.; Drill no. 33 (2.87 mm); 2,001-4,000 feet
	M411512	Burner Orifice	Classic models with 2nd digit A, G, H, J, K, L and T; L.P.; Drill no. 34 (2.82 mm); 4,001-6,000 feet
	M411375	Burner Orifice	Classic models with 2nd digit A, G, H, J, K, L and T; L.P.; Drill no. 36 (2.71 mm); 6,001-8,000 feet
	M411376	Burner Orifice	Classic models with 2nd digit A, G, H, J, K, L and T; L.P.; Drill no. 38 (2.58 mm); 8,001-10,000 feet
	70070905	Burner Orifice	CE classic models; L.P.; 2.30 mm; 0-2,000 feet
	M401011	Burner Orifice	CE classic models; L.P.; Drill no. 44 (2.18 mm); 2,001-4,000 feet
	M401027	Burner Orifice	CE classic models; L.P.; Drill no. 45 (2.08 mm); 4,001-6,000 feet
	M401003	Burner Orifice	CE classic models; L.P.; Drill no. 46 (2.06 mm); 6,001-8,000 feet
	M401001	Burner Orifice	CE classic models; L.P.; Drill no. 48 (1.93 mm); 8,001-10,000 feet
	M411375	Burner Orifice	Classic J market models; L.P.; Drill no. 36 (2.71 mm); 0-2,000 feet
	M411509	Burner Orifice	Eco models; N.G.; Drill no. 11 (4.85 mm); 0-2,000 feet
	M411371	Burner Orifice	Eco models; N.G.; Drill no. 14 (4.62 mm); 2,001-4,000 feet
	M411373	Burner Orifice	Eco models; N.G.; Drill no. 16 (4.50 mm); 4,001-6,000 feet
	M402988	Burner Orifice	Eco models; N.G.; Drill no. 18 (4.31 mm); 6,001-8,000 feet
	M401002	Burner Orifice	Eco models; N.G.; Drill no. 20 (4.09 mm); 8,001-10,000 feet

Electric Heater Components

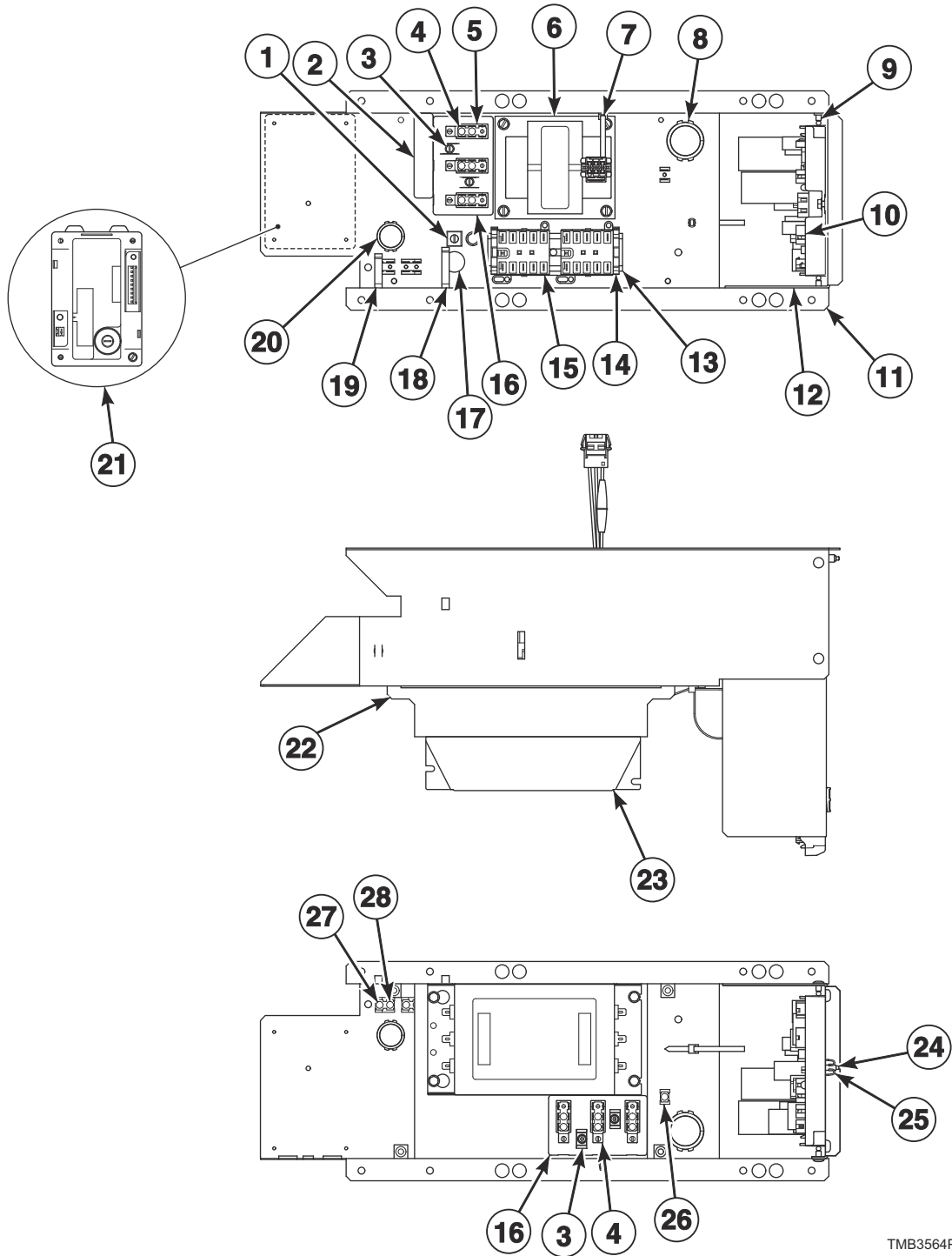


TMB3521P_70591501

Electric Heater Components

REF	PART NO.	DESCRIPTION	COMMENTS
	70564303	Stove Limit Harness	
	44281709	Jumper Harness	440 and 460-480 Volt
	44295412	Jumper Harness	380 and 400-415 Volt; 4 required
1	70365201	Stove Connectors Cover	
2	430497	Screw	
3	44328006	Limit Thermostat	
4	70525601	Stove Top and Sides	
5	70034408	Heater Element	Classic models; 3 required; 9 kW; 220 Volt heater element for 380 and 440 Volt
	70034407P	Heater Element	Classic models; 3 required; 9 kW; 208 Volt heater element for 200-208 Volt
	70034409P	Heater Element	Classic models; 3 required; 9 kW; 240 Volt heater element for 230-240 Volt and 400-415 and 460-480 Volt
	70034411	Heater Element	Eco models; 3 required; 6 kW; 220 Volt heater element for 380 and 440 Volt
	70034412P	Heater Element	Eco models; 3 required; 6 kW; 240 Volt heater element for 400-415 Volt or 240 and 460-480 Volt
	70034410P	Heater Element	Eco models; 3 required; 6 kW; 208 Volt heater element for 200-208 Volt
6	70357201	Stove Partition	
7	70214901	Stove Grill	
8	70066501	Jumper Bar	2 required on 460-480 Volt
	M400869	Jumper Strip	3 required for 380, 400-415, 440 and 460-480 Volt; 6 required for 200-208 and 230-240 Volt
9	70054	Nut	

Control Tray

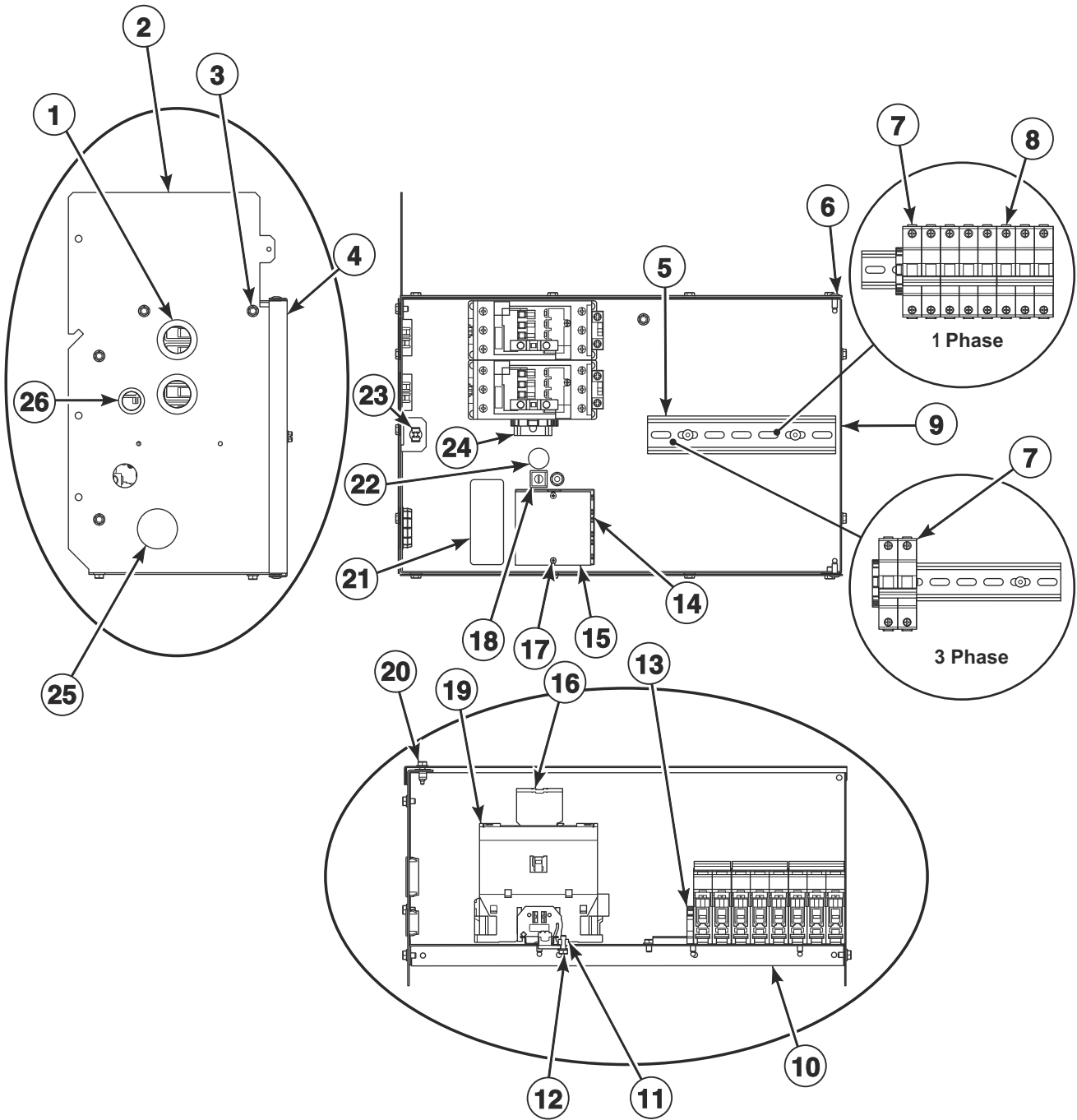


TMB3564P_70591501

Control Tray

REF	PART NO.	DESCRIPTION	COMMENTS
	685837	Screw	Use with item 1
	44088001	Nut	Use with item 1
	70559301	Conversion Kit	X to B voltage
	44272301	Transformer Harness	120 Volt; Prep for card reader
	44272302	Transformer Harness	240 Volt; Prep for card reader
1	M411283	Ground Lug Connector	
2	44286803	Label	L1, L2, L3
	44286801	Label	L1, N
	44286802	Wire Label	L1 L2, L1 N
	44286804	Wire Label	L1 L2, L1 N, L1 L2 L3
3	51783	Screw	
4	430642	Terminal Block	
5	70333001	Terminal Block Shield	
6	F8491101	Transformer	380-480 Volt
7	70335601	Cable Tie	
8	70346501	Bushing	
9	70058501	Pop Rivet	
10	70479201	I/O Control Assembly	
11	70492401	Control Tray	
12	70494901	Control Board Control Tray	
13	M412690	DIN Rail	
14	F8449801	End Stop	
15	70482601	Contactors	240 Volt or less: 1 required; 380 Volt or higher: 2 required
16	M413862	Insulator	
17	D516100	Label	
18	F8449501	Wire Clip	
19	F8449502	Wire Clip	
20	70178701	Snap Bushing	
21	70482002	Ignition Control	IEC gas models
	70482001	Ignition Control	CSA gas models
22	70533101	Filter Bracket	
23	F8591601	EMI Filter	IEC models; 100-200 and 200-240 Volt/1 Phase
	F8637501	EMI Filter	IEC models; 380-480 Volt
24	F8206901	Screw	
25	70030501	Expansion Clip	
26	00621SG	Male Tab Terminal	
27	M400003	Pop Rivet	
28	00622SG	Terminal	

Accessory Box - Electric 200-240 Volt Models

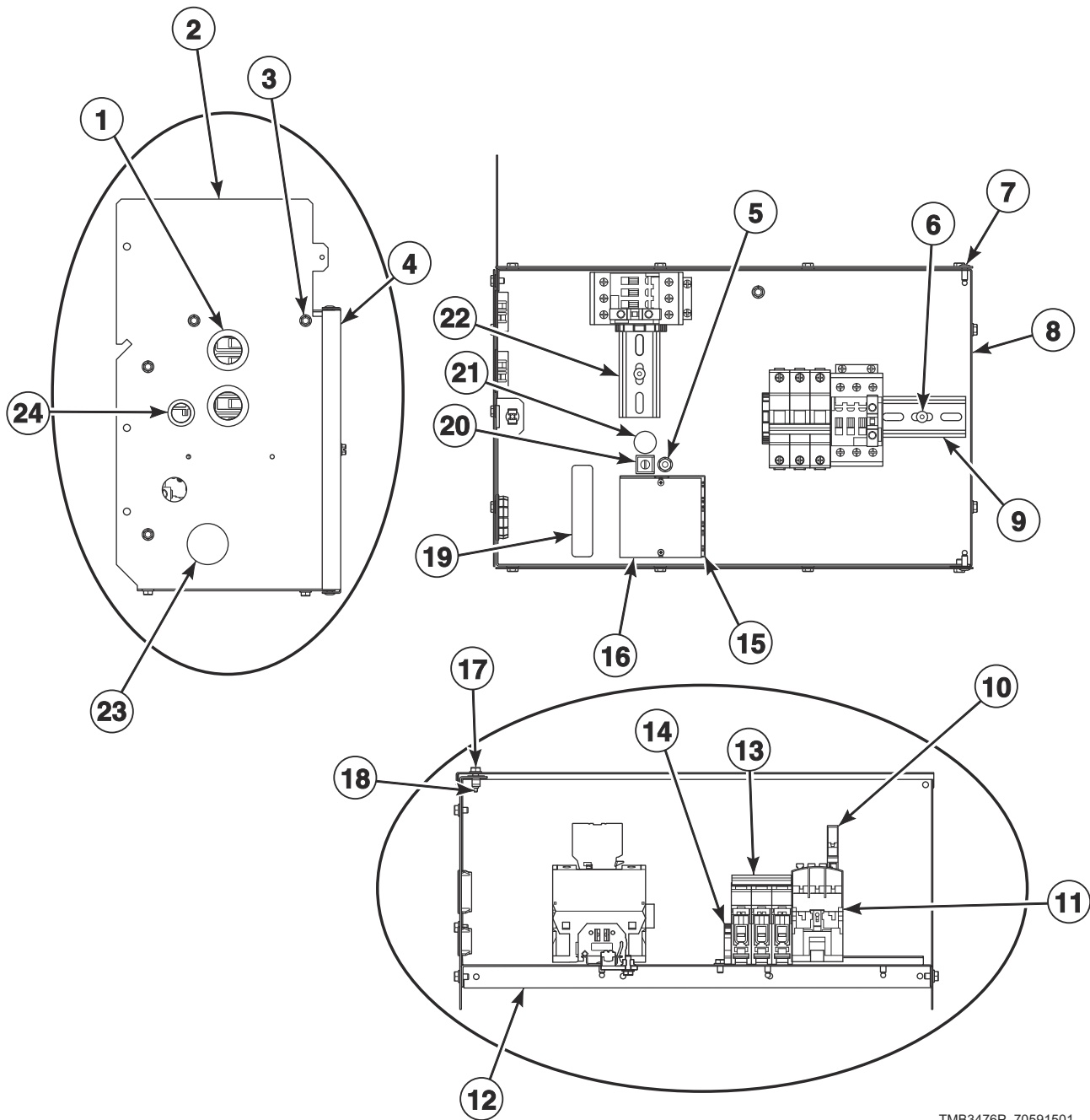


TMB3475P_70591501

Accessory Box - Electric 200-240 Volt Models

REF	PART NO.	DESCRIPTION	COMMENTS
	F8611600	Warning Label Kit	IEC models
	F8611601	Warning Label	
	44334307	Contactora Coil Harness	
	44309001	Harness	CSA models; Power distribution block to control circuit breaker
	44309011	Harness	IEC models; Power distribution block to control circuit breaker
	70516106	Harness	Contactora to element
	70516105	Harness	Contactora to element
	70516103	Harness	1 Phase; Power distribution block to circuit breaker/contactora
	70516104	Harness	Power distribution block to circuit breaker/contactora
	70516101	Harness	Power distribution block to circuit breaker/contactora
	70516102	Harness	1 Phase; Power distribution block to circuit breaker/contactora
1	M402542	Snap Bushing	2 required
2	70540601	Accessory Box Side	Left
3	51780	Screw	
4	70358401	Accessory Box Cover	
5	F8134001	DIN Rail	
6	70058502	Pop Rivet	
7	70488102	Circuit Breaker	25 amp
8	70488104	Circuit Breaker	2 required; 50 amp; 200-208 and 230-240 Volt/1 Phase
9	70540701	Accessory Box Side	Right
10	70540501	Accessory Box Back	
11	44088001	Nut	
12	685837	Screw	
13	F8449801	End Stop	2 required
14	M413865	Terminal Block	
15	44014901P	Power Distribution Block Cover	
16	44313201	Auxiliary Contact Block	2 required
17	39733	Screw	
18	M411283	Ground Lug Connector	
19	70482801	Contactora	2 required
20	F8206901	Screw	
21	44286802	Wire Label	1 Phase
	44286803	Label	3 Phase
22	D516100	Label	
23	70030501	Expansion Clip	
24	M412690	DIN Rail	
25	70180001	Plug	
26	M400770	Snap Bushing	

Accessory Box - Electric 380-480 Volt Models



TMB3476P_70591501

Accessory Box - Electric 380-480 Volt Models

REF	PART NO.	DESCRIPTION	COMMENTS
	F8611600	Warning Label Kit	IEC models
	F8611601	Warning Label	
	44334307	Contactora Coil Harness	
	44334302	Control Harness	3 Phase
	44309002	Harness	CSA models; Power distribution block to control circuit breaker
	44309012	Harness	IEC models; Power distribution block to control circuit breaker
	70516106	Harness	Contactora to element
	70516103	Harness	2 required; Power distribution block to contactora
1	M402542	Snap Bushing	2 required
2	70540601	Accessory Box Side	Left
3	51780	Screw	
4	70358401	Accessory Box Cover	
5	685837	Screw	
	44088001	Nut	
6	70058501	Pop Rivet	
7	70058502	Pop Rivet	
8	70540701	Accessory Box Side	Right
9	F8134001	DIN Rail	
10	44313201	Auxiliary Contact Block	2 required
11	70482701	Contactora	2 required
12	70540501	Accessory Box Back	
13	70488101	Circuit Breaker	25 amp
14	F8449801	End Stop	2 required
15	M413865	Terminal Block	
16	44014901P	Power Distribution Block Cover	
17	F8206901	Screw	
18	70030501	Expansion Clip	
19	44286803	Label	
20	M411283	Ground Lug Connector	
21	D516100	Label	
22	M412690	DIN Rail	
23	70180001	Plug	
24	M400770	Snap Bushing	

Harnesses

PART NO.	DESCRIPTION	COMMENTS
44316007	Harness	IEC models; 1 Phase; Auxiliary power distribution block to filter harness
44316008	Harness	IEC models; 3 Phase; Auxiliary power distribution block to filter harness
44280007	Configuration Harness	100-120 Volt; Cylinder
44280006	Configuration Harness	100-120 Volt; Fan
44334502	Control Tray Harness Assembly	Electric models
44334501	Control Tray Harness Assembly	Gas models
44334702	Inverter Contactor Coil Harness	Secondary; 380-480 Volt
44316001	Harness	IEC models; 1 Phase; Main power distribution block to EMI filter harness
44316002	Harness	IEC models; 3 Phase; Main power distribution block to EMI filter harness
44280005	Configuration Harness	3 Phase
44280010	Motor Contactor Power Harness	IEC models; 1 Phase
44280012	Motor Contactor Power Harness	IEC models; 3 Phase
44280001	Motor Contactor Power Harness	CSA models; 1 Phase
44280003	Motor Contactor Power Harness	CSA models; 3 Phase
44280101	Power Harness	Control and emergency stop connection; 380-480 Volt
44272101	Power Harness	Control and emergency stop connection; 100-120 and 200-240 Volt

Labels

PART NO.	DESCRIPTION	COMMENTS
44324201	Caution Label	Australian models; Repeat Ignition Reset
70535101	Caution Label	Vent/install
F8614501	Danger Label	Shock; English/French
F8614301	Hot Surface Warning Label	English/French
F8609001	Hot Surface Warning Label	Icon
F8605501	Label	
70535100	Label Kit	Vent/install
F8614500	Label Kit	Shock
70539601	Notice Label	
F8609501	Notice Label	
D516073	Notice Label	Read instructions; Icon
70538401	Pinch Warning Label	English/French
F8615701	Pinch Warning Label	Icon
F8614201	Shock Warning Label	Icon
70536301	Warning Label	Lint; Australian models
44324101	Warning Label	Fire; Australian models
70534305	Warning Label	Fire; Colombian Spanish; Australian models
44321601	Warning Label	Risk of fire; Icon

Parts Index

A

Access Panel Trim	
70399406	43
70399413	43
Accessory Box Back	
70540501	75, 77
Accessory Box Cover	
70358401	75, 77
Accessory Box Side	
70540601	75, 77
70540701	75, 77
Adapter	
70131901	67
Air Duct	
70575401	55
70575402	55
Airflow Switch and Arm Bracket	
70319601	65
Airflow Switch Arm	
70319401	65
Airflow Switch Cover	
70356601	65
70465701	65
Airflow Switch Vane	
70319201	65
Airflow Switch Wrapper	
70356101	65
Anti-Rattle Burner Assembly	
70546702	67
Auxiliary Contact Block	
44313201	75, 77

B

Blind Rivet	
F8245101	47
Blower Assembly	
70302201P	63
70359801P	61
Blower Housing	
70215101	61, 63
70376201	63
70554801	61, 63
Blower Housing Scroll	
70016301	61
Blower Inlet Cone	
70303101	63
Blower Motor Mounting Plate	
70349601	61, 63
Burner Grill	
70396701	67
Burner Orifice	
M401001	69
M401002	69
M401003	69
M401011	69
M401017	69
M401022	69

M401027	69
M402981	69
M402988	69
M402995	69
M411371	69
M411373	69
M411374	69
M411375	69
M411376	69
M411509	69
M411510	69
M411511	69
M411512	69
70070905	69
Bushing	
70346501	55, 73
Bypass Harness	
44334103	43

C

Cable Tie	
70335601	73
Cam and Hinge Kit	
M4772P3	35
M4773P3	35
Caution Label	
44324201	79
70535101	79
Center Cylinder Seal	
70066005	53
Center Pan	
70562401	55
Center Partition	
70376801	55
Central Pay Harness	
44342801	17
Circuit Breaker	
70488101	77
70488102	75
70488105	75
Coin Box	
F160673P	43
Coin Chute Assembly	
70296401	43
Coin Drop	
38963P	27
39748	27
70441601	27
70441603	27
Coin Drop Assembly	
201141	27
210195	27
210196	27
38462P	27
38463	27
38467	27
38519	27
70281102	27
70283102	27
70441602	27
70447301	27

N/A items do not appear in index.

70471601	27	70376008	39
70482401	27	70376009	39
70506901	27	70376014DG	39
Coin Drop Kit		70417105*	39
CK077	27	70417108B	39
CK122	29	70417113	39
Coin Identification Paper		70417115LG	39
38464P	27	Control Plate	
38475	27	70497101	15, 23
38725	27	Control Plate and Studs Assembly	
Coin Meter		70496601	17, 19
F0160737-00	27	Control Plate Assembly	
Coin Vault and Emergency Stop Mount Assembly		70497201	17, 19
70529502	43	Control Tray	
Coin Vault Assembly		70492401	73
70529501	43	Control Tray Harness Assembly	
Coin Vault Switch Harness		44334501	78
44334101	43	44334502	78
Cold Weather Kit		Control Trim	
44340301	59	44016401	43
Configuration Harness		70529401	43
44280005	78	Conversion Kit	
44280006	78	70559301	73
44280007	78	Cylinder and Trunnion Assembly	
Contact Base		70444101	49
F8538101	45	70444102	49
Contact Switch		70444103	49
F8069501	45	Cylinder Assembly	
Contacto		70408801P	49
70482601	73	70408802P	49
70482701	77	70408803	49
70482801	75	Cylinder Bearing Stud Plate Assembly	
Contacto		430352	53
Contacto Coil Harness		Cylinder Guide Tool	
44334307	75, 77	263P4	53
Control		Cylinder Rib Assembly	
70511601	59	70433004	49
Control Assembly		Cylinder Shroud	
70478801	17, 19	70378001	55
70478802	23	70378002	55
70478901	19	70432307	55
70478902	23	70432308	55
70479801	15		
70479901	15		
70523001	19		
70523002	23		
70523101	15		
70543104	25		
Control Board Control Tray			
70494901	73		
Control Box Base			
44065301	59		
Control Box Cover			
44065201	59		
Control Box Housing			
44306701	59		
Control Box Top			
44307101	59		
Control Door and Studs Assembly			
70570201	25		
Control Harness			
44334302	77		
44334404	59		
Control Panel			
70376001*	39		
70376003*	39		

D

Damper and Hinge Exhaust Assembly	
70209501	61, 63
Damper Spacer	
70220901	63
Danger Label	
F8614501	79
DIN Rail	
F8134001	75, 77
M412690	73, 75, 77
Door Assembly	
44028906	31
44028907	31
44028908	31
44058105	31
44058106	31
44058107	31
44058108	31
44266703	31
44266704	31

N/A items do not appear in index.

44292302B.....	31
44292302LG	31
70407402	31
Door Glass	
44008401P.....	33
44008402P.....	33
44008403	33
Door Glass Installation Tool	
M4221P4.....	33
Door Handle	
44007901	33
44263801	33
70521102	33
Door Hinge Assembly	
44075209B.....	35
44075209LG	35
44075212	35
Door Hinge Lug Assembly	
44035001	35
44035002	35
Door Hinge Assembly	
44075205*.....	35
Door Latch	
M401223	43
Door Ring and Handle Assembly	
44326007B.....	33
44326007LG	33
Door Ring Assembly	
44326001	33
44326002	33
44326003B.....	33
44326004B.....	33
44326005	33
44326006	33
Door Ring Gasket	
70296802	33
Door Seal Kit	
70211902P	33
Door Switch Actuator	
70532101	35
70532102	35
Drive Motor	
70478601	61
70485001	61
Drive Plate	
70571901	61
Drive Rivet	
M400713	59
Drywall Screw Magnet Kit	
70343101P.....	49, 53

E

Elbow	
70428101	57
Electronic Coin Drop Assembly	
70294107	27
70513302	27
70513303	27
70513304	27
70513306	27
70513308	27
70513309	27
70513310	27

70513311.....	27
70513312	27
70513313	27
70513314	27
70513315	27
70513316	27
Electronic Coin Drop Kit	
CK099	29
CK100	29
CK101	29
CK108	29
CK109	29
CK110	29
CK113.....	29
CK115.....	29
CK116.....	29
CK117.....	29
CK118.....	29
CK119.....	29
CK120	29
CK121	29
Emergency Stop Button Kit	
70580301	45
Emergency Stop Bypass Harness	
F8519403	45
Emergency Stop Harness	
44272401	45
Emergency Stop Label	
44012901	45
44012903	45
Emergency Stop Mounting Bracket	
70550401	45
Emergency Stop Pushbutton	
F200233500	45
EMI Filter	
F8591601	73
F8637501	73
End Cap	
70070101	49
70070102	49
End Stop	
F8449801	73, 75, 77
Exhaust Thimble	
70015601	61
Expansion Clip	
70030501	17, 19, 43, 73, 75, 77

F

False Front	
70405001*	37
70405003DG	37
70405003LG.....	37
70405004	37
70405103DG	37
70405103LG.....	37
70405104	37
False Front Assembly	
70405101*	37
Fan Motor	
70478701	61, 63
70484901	61, 63
FCC-IC Label	
F8613201	19, 25

N/A items do not appear in index.

Fill Hose	
202799	59
Filter Bracket	
70533101	73
Filter Mounting Plate	
70551701	59
Forward Valve Cover	
70328201	67
Front Panel	
7052316DG	41
70524301*	41
70524302	41
70524303*	41
70524304	41
70524315DG	41
70524320*	41
70524321	41
70524322DG	41
70524322LG	41
Front Panel Seal	
70173401P	41

G

Gas Burner	
70396201P	67
Gas Valve	
44154507	67
44154508	67
Gas Valve Harness	
44273501	67
Gasket	
70392701P	63
Ground Lug Connector	
M411283	73, 75, 77

H

Handle and Caps Assembly	
70154411	47
70154418	47
Handle Bar	
70399501B	33
Handle Bumper	
70407206	47
70407209	47
Harness	
F8617901	25
44309001	75
44309002	77
44309011	75
44309012	77
44316001	78
44316002	78
44316007	78
44316008	78
70516101	75
70516102	75
70516103	75, 77
70516104	75
70516105	75
70516106	75, 77

Harness Adapter Plate	
70523301	57, 59
Harness Mounting Plate	
70307007	17, 19, 23, 25
Heater Element	
70034407P	71
70034408	71
70034409P	71
70034410P	71
70034411	71
70034412P	71
High Voltage Suppression Cable	
44239702	67
Hold-Down Clip	
35865	55
Hole Plug	
70063201	55
Hose	
44073304	59
Hose Clamp	
36801	59
Hose Fitting	
44069101	59
Hot Surface Warning Label	
F8609001	79
F8614301	79

I

Idler Wheel Assembly	
70050401P	61
Igniter Cover	
70159601	67
Ignition Control	
70482001	73
70482002	73
Inner Stove Partition	
70396401	67
Insulator	
M413862	73
Interconnect Harness	
44334401	59
Inverter Contactor Coil Harness	
44334702	78
Inverter Motor Harness	
44335301	61
I/O Control Assembly	
70479201	73

J

Jumper Bar	
70066501	71
Jumper Harness	
D511476	43
442295412	71
44281709	71
Jumper Strip	
M400869	71

K

Key	
70144101	61
70155601	43, 59
70155602	43
Kickplate	
70117613	47
70117622	47

L

Label	
D516100	73, 75, 77
F8605501	79
F8649601	19
44108201	41
44190901	41
44286801	73
44286803	73, 75, 77
44318201	59
70414001	33
70537101	41
Label Kit	
F8614500	79
44318200	59
44324500	59
70534300	41
70535100	79
Light	
801432	59
Limit Access Bracket	
70554901	61, 63
Limit Thermostat	
44328001	63
44328005	67
44328006	71
44328104	67
70530901	63
Lint Panel	
70515404DG	47
70515601*	47
70515602	47
70515603LG	47
70515605	47
Lint Panel Gasket	
70289101P	47
Lint Panel Pivot Plate	
70392101	47
Lint Screen	
44063601	55
Lock Shim	
70342401	43
Lock, Key and Nut Kit	
44089301P	43, 59
44089302P	43
Lower Rear Assembly	
70500901	61
Lower Stove Cover	
70396601	67
L.P. Conversion Kit	
70550204	67
70551904	67

L.P. Valve	
44154504	67

M

Machine ID Control Assembly	
203361P	17, 19, 23, 25
Magnet	
70343101	47
Magnet Bracket	
44290501	47
Male Tab Terminal	
00621SG	73
Mixing Valve	
70519801	59
Mixing Valve Shield Bracket	
44306601	59
Moisture Sensor Harness	
44333903	51
Motor Conduit Mounting Bracket	
70521901	61
Motor Contactor Power Harness	
44280001	78
44280003	78
44280010	78
44280012	78
Motor Mount Bracket	
70564102	61
Motor Mount Plate	
70564201	61
Motor Pulley	
70559101	61
Mounting Bracket	
70601401	59
Mounting Plate	
70208801	17, 19

N

Nameplate	
B12389801	43
F8443105	43
567887	43
Nameplate Overlay	
44104501	43
44144401	43
44147101	43
70115601	43
70410201	43
70411401	43
Notice Label	
D516073	79
F8609501	79
70535901	67
70539601	79
70544901	67
Nozzle Bracket	
70424201	57
70428601	57
Nut	
M400022	51, 53, 63
M400034	53, 63

N/A items do not appear in index.

M412986	53
M414215	33
21899	55
23951	47
430576	55
44071201	25
44087201	49
44088001	33, 35, 73, 75, 77
44088801	43
44333202	61
51236	47
70054	71
70288801	55
N.G. Valve	
44154503	67

O

Opto Coupler	
200674P	27
Orifice Adapter	
70435901P	67
Orifice Holder Bracket	
70248901	67
Orifice Keeper Bracket	
70249001	67
Overlay	
F8205101	17, 19
70295101	19
70512004	21
70512005	21
70512006	21
70512007	21
70512008	21
70516801	15
70516802	15
70517001	21
70517002	21
70517003	21
70517004	21
70517005	21
70517801	15
70517802	15
7051801	17
7051802	17
70518101	19
70518102	19
70518201	21
70518202	21
70518203	21
70519001	15
70519002	15
70519201	25
70539101	15
70539102	15
70541201	21
70541202	21
70541203	21
70544701	17
70544702	17
70544703	17
70545501	15
70545502	15
70547401	17
70547402	17
70547501	15
70547502	15

70547801	23
70547802	23
70548101	17
70548801	23
70548802	23
70556201	19
70556301	19
70556401	19
70556402	19
70556501	17, 19
70556502	17, 19
70556601	19
70556701	19
70556801	19
70556901	19
70557001	17, 19
70557002	17, 19
70559001	21
70570301	17
70570302	17
70570303	17
70570601	23
70570602	23
70570801	23
70570802	23
70571001	21
70571002	21
70571003	21
70571101	21
70571102	21
70571103	21
70571401	23
70571402	23
70571601	23
70571602	23
70572401	23
70572402	23
70572601	21

P

Panel Locator	
56079	43, 47
Panel Lock	
44089304	43
44089305	43
Pin	
70071401	35
Pinch Warning Label	
F8615701	79
70538401	79
Pipe Clip	
70203701	67
Pipe Plug	
70346801	67
Pivot Arm Lever	
70543301	61
Plug	
70167601	67
70180001	59, 75, 77
Pop Rivet	
M400003	73
44166601	43
70058501	35, 47, 55, 67, 73, 77
70058502	55, 75, 77
70126301	47

N/A items do not appear in index.

70126401	47
70412601	33
Porcelain Touch-Up Paint	
122P4P	55
370P4P	55
Power Distribution Block Cover	
44014901P	75, 77
Power Harness	
44272101	78
44280101	78
Power Sensor Harness	
44334402	59
Primary Air Adjustment Sleeve	
70239801	67
Pushbutton Switch	
70413301	15, 17, 19, 23, 43
Push-to-Start Switch	
801434W	59

R

Rear Bearing Shim	
70355001	53
Rear Cylinder Bearing Housing	
70013901	53
Rear Cylinder Channel	
70305201	49
70305202	49
Rear Cylinder Channel Plate	
70305301	49
Rear Cylinder Seal	
70013704P	53
Rear Cylinder Seal Support	
70506401	53
Rear Lint Panel	
70564001	47
Rear Panel	
70561601	53
70561602	53
70561603	53
Rear Valve Cover	
70282401	67
Reed Switch Assembly	
F8066804	47
Roller and Seal Kit	
70568201	55
Roller Catch Arm	
70030301	47
Roller Catch Spacer	
70030201	47
Roller Catch Wheel	
70297601	47
Roller Seal	
70443601	55
Roller Shaft	
70249501	55
Roller Support Bracket	
70326103	55
70326104	55

S

Screw	
F8206901	73, 75, 77
M400044	35
M400661	33
M405188	37, 67
M411072	17, 19, 25, 43
05161	67
33562	25
39733	43, 47, 75
430497	47, 49, 55, 57, 59, 63, 65, 67, 71
430757	47
51780	57, 59, 75, 77
51783	73
62588	49
685837	73, 75, 77
70033502	35
70072801	47
70126101	63
70132301	47
70247701	55
70391101	49
70407301	35
70436301	35
70442101	33
70576101	35
804608	15, 17, 19, 23, 25, 59
Sensor Harness	
44334406	59
Sheet Metal Edge Gasket	
70015707	55
70015710	55
Shield	
44326801	59
Shock Warning Label	
F8614201	59, 79
F8614401	59
Side Panel	
70378701DG	55
70378701LG	55
70378701*P	55
70378801DG	55
70378801LG	55
70378801*P	55
Slip Ring Assembly	
44222701	51
Slip Ring Holder	
70455401	51
Slot Card Plate Assembly	
44089501	17, 19
Snap Bushing	
M400770	67, 75, 77
M402542	75, 77
70178701	57, 73
Spacer	
70488403	61
Spark Electrode	
70548701P	67
Spray Nozzle	
70427801	57
Spray Nozzle Hose	
70427701	57
Spray Paint	
298P4P	55

N/A items do not appear in index.

381P4.....	55
Spring	
70571801.....	61
Spring Catch Bracket	
70543401.....	61
Standoff	
70569603.....	61
Stove Back	
70396801.....	67
Stove Connectors Cover	
70365201.....	71
Stove Deflector	
70396501.....	67
70400601.....	67
Stove Grill	
70214901.....	71
Stove Limit Harness	
70564301.....	67
70564303.....	71
Stove Partition	
70357201.....	71
Stove Top and Sides	
70396301.....	67
7052601.....	71
Street Elbow	
H86070034.....	67
Support Bearing	
70448701.....	53
Support Housing Bearing Assembly	
430260P.....	53
Switch	
70411901.....	65
Switch Bracket	
70356301.....	65
70508501.....	47
Switch Hole Plug	
44057801B.....	43
44057801LG.....	43
44057801Q.....	43
44057801W.....	43

T

Tensioning Bracket	
70569501.....	61
Terminal	
00622SG.....	73
Terminal Block	
M413865.....	75, 77
430642.....	73
Terminal Block Shield	
70333001.....	73
Thermistor	
M414704.....	63
44064701.....	57
Thermistor Plate	
70424401.....	57
Thermostat Cover	
M414477.....	67
Top Pan	
70555201.....	55
Top Panel	
70557801.....	55

N/A items do not appear in index.

Transformer	
F8491101.....	73
Transformer Harness	
44272301.....	73
44272302.....	73
Trunnion and Seal Kit	
70564807.....	49
70564808.....	49
Tube Assembly	
70427601.....	57
Tumbler Dolly Kit	
M4379P4.....	55

U

Union Tee	
70427901.....	57
USB Bracket	
70547001.....	25
USB-Serial Interface Assembly	
203440.....	25

V

Valve Support Bracket	
70502601.....	67
V-Belt	
70276207.....	61
Vend Activation Harness	
44334001.....	15, 17, 19, 23

W

Warning Label	
F8611601.....	75, 77
44321601.....	79
44324101.....	79
44324501.....	59
44324502.....	59
70534301.....	41
70534302.....	41
70534305.....	79
70536301.....	79
Warning Label Kit	
F8611600.....	75, 77
Washer	
M400991.....	53, 63
70261401.....	55
70409301.....	33
70411301.....	49
Water Valve Harness	
44334405.....	59
Wire Clip	
F8449501.....	73
F8449502.....	73
Wire Guard	
201595P.....	27
Wire Label	
44286802.....	73, 75
44286804.....	73

Wireless Network Board Harness	
F8536002	19, 25
Wireless Network Control Assembly	
203532	19, 25
Wireless Network Kit	
70596301	19, 25
